



FERNORTE

FERRETERIA PARA MECANICOS

DESDE 2003

MANUAL DE TECLES Y ACCESORIOS



ROBERTTOOLS
BY FERNORTE

Herramientas para cada necesidad imaginable...

www.fernorte.cl

FERNORTE

una compañía con casa matriz en Antofagasta, dedicada al rubro de Ferretería industrial orientada a mecánicos. Somos especialistas en torque controlado para uniones apernadas, con tecnologías innovadoras de origen alemán. Contamos con equipos multiplicadores de torque a batería con display digital, registro documentario, interface bluetooth para celular o Pc.

Disponemos de máquinas y herramientas en todas las tecnologías disponibles, hidráulicas, neumática, eléctrica, batería y manuales. Somos representantes y distribuidores de marcas como Chicago Pneumatic, CDI Snap-ON, Innotorc, Toptul, Mitutoyo, Karcher. Además, un grupo no menor de distribuciones locales.

Queremos ser parte de su cartera de proveedores, sabemos que tenemos la experiencia, nos avalan 18 años trabajando. Somos importadores, Nuestra calidad y precios son altamente competitivos y podríamos transformarnos en su socio estratégico en poco tiempo. (Nuestro Rut 76.465.760-8).

Actualmente somos proveedores de muchas empresas contratistas de la región, como también de compañías mineras. Siempre a disposición de los requerimientos y necesidades de nuestros clientes

Saludos cordiales

Roberto Ahumada Miranda

Gerente General

 Av. Salvador Allende 746

 contacto@fernorte.cl

 +56 9 8188 7861

TOPTUL
THE KING OF PROFESSIONAL TOOLS

ROBERTOOLS
BY FERNORTE

 Chicago
Pneumatic

CDI TORQUE
PRODUCTS

 Inno
Torc

Quik-Shim

 **GROZ**

Makita

VÖLKEL
THREADING SOLUTIONS

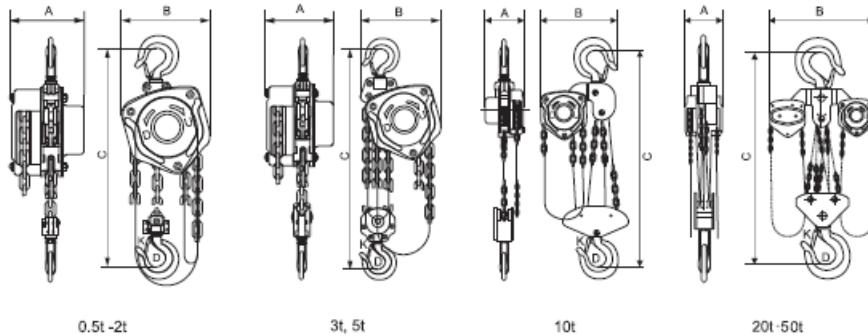
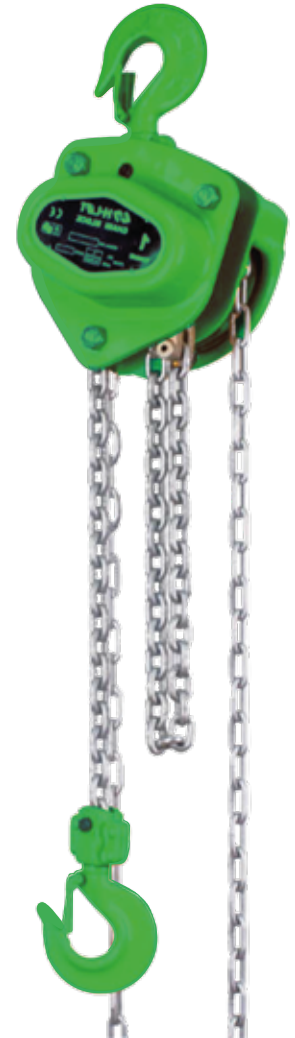
Mitutoyo

TECLE MANUAL A CADENA

CHAIN HOIST CH-B TYPE

Characteristics

- Capacity ranges from 0.5t to 50t.
- Automatic double pawl braking system.
- Double cover protection.
- Light weight robust construction.
- Low effort to lift maximum load.
- Extra thick asbestos free friction discs.
- Fully forged hooks are fitted with safety latches as standard.
- High grade alloy load chain.
- Zinc plated hand chain as standard.
- Sealed bearing (optional).
- Unique hand wheel cover for guiding hand chain.
- Each hoist is proof tested at 1.5 times of WLL up to 10t. 1.25 times of WLL 20t-50t.
- Complies with EC Council Directive 2006/42/EC Machinery, ASME B30.16, AS 1418.2.
- G-80 RUD load chain from Germany or FEC load chain from Japan (optional).
- Built in overload protection device (optional).



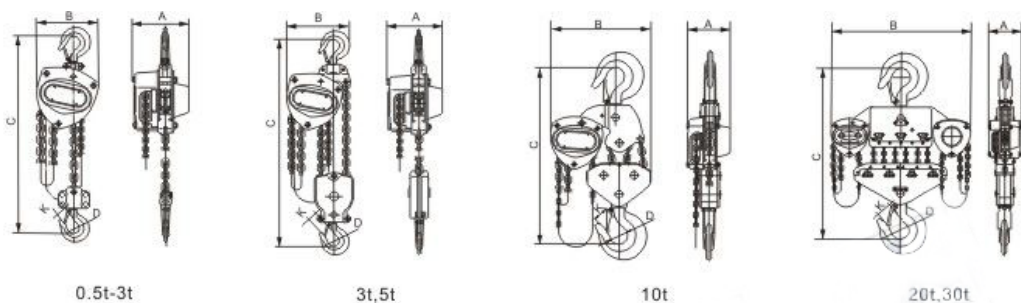
Model	CHB005	CHB010	CHB015	CHB020	CHB030	CHB050	CHB100	CHB200	CHB300	CHB500	
Capacity	t	0.5	1	1.5	2	3	5	10	20	30	50
Standard Lift	m	2.5	2.5	2.5	3	3	3	3	3	3	3
Proof Load	kN	7.35	14.7	22.1	29.4	44.1	73.5	147	245	367.5	612.5
Effort Required to Lift Rated Load	N	200	320	360	365	385	435	435	435x2	435x2	435x2
No. of Falls of Load Chain		1			2		4	8	12	22	
Load Chain	mm	6x18			8x24			10x30			
Dimensions(mm)	A	137.5	146.5	170	170	170	190	190	209	312	496
	B	137	162	183	194	220	288	384	625	691	958
	C	270	317	399	414	465	618	798	890	1380	2578
	D	35	35.5	45	42.5	50	64	85	110	110	170
	K	28	26	32.5	32	37	46	50	81	81	125
Net Weight	kg	8.4	10.5	15.5	18.5	21.2	41.8	81.7	173	238.5	1092
Extra Weight per Metre of Extra Lift	kg	1.7	1.7	2.3	2.3	3.7	5.6	9.7	19.4	29.1	53.4

CHB100-5
CHB200-5
CHB300-5
CHB500-5

Disponibile
5 metros

Characteristics

- Capacity ranges from 0.5t-30t
- Automatic double pawl braking system.
- Double cover protection.
- Light weight robust construction.
- Low effort to lift maximum load.
- Extra thick asbestos free friction discs.
- Fully forged hooks are fitted with safety latches as standard.
- ISO high grade alloy load chain.
- Zinc plated hand chain as standard
- Sealed bearing.
- Each hoist is proof tested at 1.5 times of WLL up to 10t. 1.25 times of WLL 50t
- Complies with EC Council Directive 2006/42/EC Machinery, ASME B30.16, AS 1418
- G-80 RUD load chain from Germany or FEC load chain from Japan (optional).
- Built in overload protection device (optional).



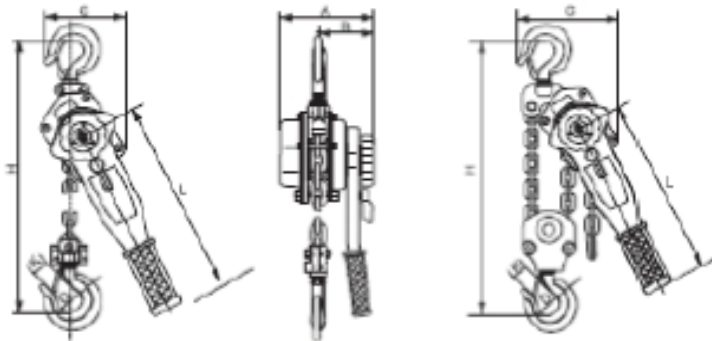
Model	CHKII005	CHKII010	CHKII015	CHKII020	CHKII030	CHKII030D	CHKII050	CHKII100	CHKII200	CHKII300	
Capacity	t	0.5	1	1.5	2	3	3	5	10	20	30
Standard Lift	m	2.5	2.5	2.5	3	3	3	3	3	3	
Proof Load	kN	7.35	14.7	22.05	29.4	44.1	44.1	73.5	147	245	36.75
Effort Required to Lift Rated Load	N	240	250	265	335	363	265	360	380	380x2	380x2
No. Of Fails of Load Chain		1	1	1	1	1	2	2	4	8	12
Load Chain	mm	5x15	6x18	7.1x21	8x24	10x30	7.1x21	9x27	9x27	9x27	9x27
Dimensions(mm)	A	132	151	173	175	176	173	189	189	189	330
	B	148	172	196	210	230	226	280	463	630	670
	C	345	376	442	470	565	490	688	765	890	1000
	K	28	32	36	36	46	46	46	57	82	106
Net Weight	kg	11	12.5	17.8	19.5	29	23.5	41.3	78.5	193	220

TECLE MANUAL A CADENA

LEVER HOIST LH-A TYPE

Characteristics

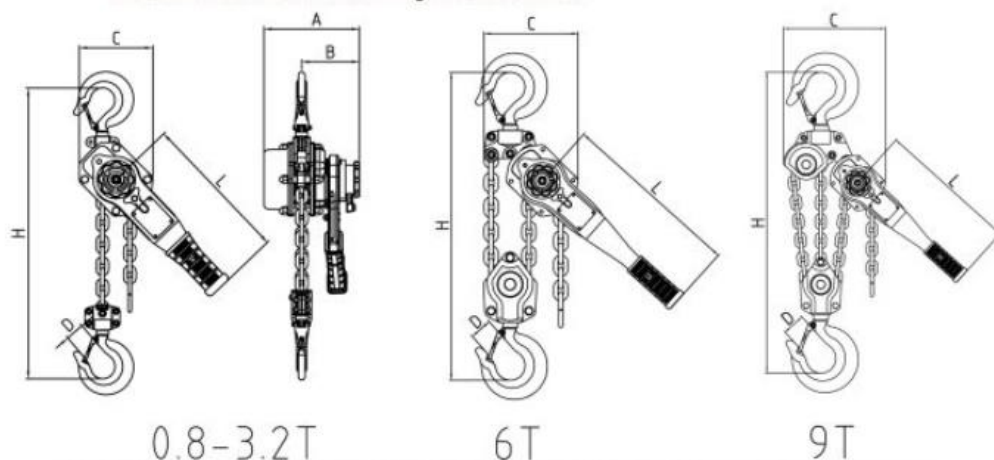
- R.Tools lever hoist is a universal, manual hoist for lifting, tensioning and lashing in any direction.
- The ratchet lever hoist features compact design and robust, deep drawn, stamped steel construction.
- High quality materials ensure light weight without infringing reliability.
- Low own weight, small mounting sizes and small lever force at full load.
- Asbestos free brake, holding load at any desired height.
- Top & Bottom hooks are fitted with safety latches as standard.
- The load chain can be pulled freely and easily through the hoist in both directions to attach the load or to tension the chain. For safety reason, free chains can not be done when the hoist is under load.
- Short hand lever with rubber grip.
- Hand lever operates with little effort due to optimal gear ratio.
- Drop forged steel suspension & load hooks are heat treated and fracture resistant. In case of dangerous overloading or abuse, the hook does not fracture but will slowly yield.
- The hoist is fitted with high grade alloy load chain.
- Complies with EC Council Directive 2006/42/EC Machinery, ASME B30.16, AS 1418.2.
- Overload protection device available upon request.
- Sealed bearing available upon request.



Model		LHA075	LHA150	LHA300	LHA600	LHA900
Capacity	t	0.75	1.5	3	6	9
Standard Lift	m	1.5	1.5	1.5	1.5	1.5
Proof Load	kN	11.0	22.1	44.1	88.2	132.3
Effort Required to Lift Rated Load	N	140	240	320	340	360
No. of Falls of Load Chain		1			2	3
Load Chain	mm	6x18	8x24	10x30		
Dimensions(mm)	A	148	176	195	195	195
	B	88	102	109	109	109
	C	135	162	211	254	319
	D	37	45	50	64	85
	H	320	380	480	620	700
	L	290	420	420	420	420
	K	26	32.5	38	48	50
Net Weight	kg	7.7	11.8	21	32	47
Extra Weight per Metre of Extra Lift	kg	0.8	1.4	2.2	4.3	6.5

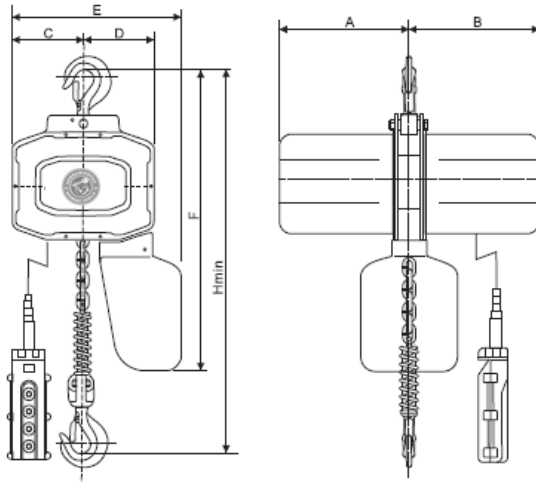
LHA150-3 Disponible
3 metros

Remark: Hoists with the lift in other length are also available.



Model	LHKV080	LHKV100	LHKV160	LHKV320	LHKV630	LHKV900	
Capacity	t	0.8	1	1.6	3.2	6.3	9
Standard Lift	m	1.5	1.5	1.5	1.5	1.5	1.5
Proof Load	kN	11.76	14.70	23.52	47.04	92.61	132.30
Effort Required to Lift Rated Load	N	215	294	304	372	382	392
No. Of Falls of Load Chain		1	1	1	1	2	3
Load Chain	mm	5.6x15.7	5.6x15.7	7.1x19.9	10x28	10x28	10x28
Dimensions(mm)	A	150	150	168	201	201	201
	B	100	100	104	118	118	118
	C	119	119	126	159	218	298
	D	24	24	32	35	44	60
	H	300	300	350	395	540	680
	L	245	245	265	415	415	415
Net Weight	kg	6.3	6.3	8.5	14.2	26	40
Extra Weight per Metre of Extra Lift	kg	0.7	0.7	1.1	2.3	4.6	6.9

ELECTRIC CHAIN HOIST EHC-TYPE



Model		EHC-005	EHC-010	EHC-020	EHC-030	EHC-030D	EHC-050
Capacity	ton	0.5	1.0	2.0	3.0	3.0	5.0
Standard Lift	m	3	3	3	3	3	3
Lifting Speed	m/min	7/2.33	7/2.33	3.5/1.17	2.3/0.76	4	2.6
Hoist Motor	kw	0.8/0.27	1.6/0.53	1.6/0.53	1.6/0.53	3.0	3.0
Power Supply		1-3 Phase, 50/60HZ, 220/380/440V					
ED	%	40%					
Load Chain		7.1x21(1)	7.1x21(1)	7.1x21(2)	7.1x21(3)	9x27(2)	9x27(3)
Proof Load	kN	6.25	12.5	25	37.5	37.5	62.5
Cable Length	m	2.5	2.5	2.5	2.5	2.5	2.5
Extra Weight per Meter of Extra Lift	kg	1.1	1.1	2.2	3.3	3.5	5.3
H min	mm	500	520	630	710	800	850
Dimensions (mm)	A	245	245	245	245	265	265
	B	245	245	245	245	265	265
	C	158	158	124	124	127	127
	D	142	142	176	176	205	205
	E	350	350	350	350	393	393
	F	600	600	610	620	738	738
Net Weight	kg	50	55	60	65	78	85

EHC-10CC

Disponible incluye Carro:

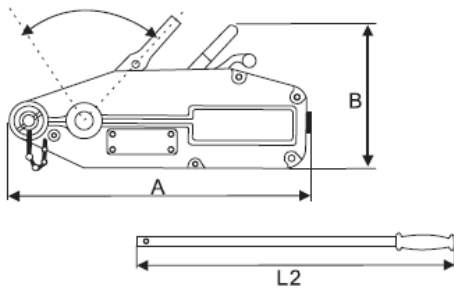
220v 50 hz industrial
capacidad de 1000 kg
1 velocidad
1 botonera 2.5 mt
36v velocidad recogida 6MT min

TECLE TIRFOR TRABAJO PESADO

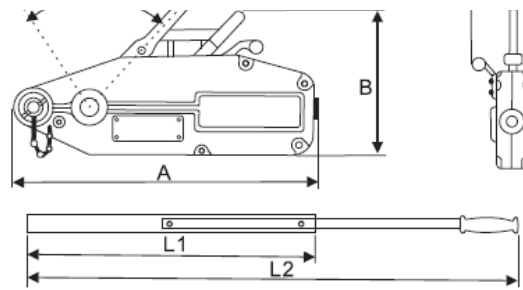
WIRE ROPE GRIPS **HO-TYPE**



With swivel hook is also available



800KGS



1600KGS/3200KGS/5400KGS

Specifications		Model			
		H008	H016	H032	H054
Rated Capacity	kg	800	1600	3200	5400
Rope Advance per Full Stroke	mm	≥52	≥55	≥28	≥25
Lever Pull at WLL	N	341	400	438	850
Rope Diameter	mm	8.3	11	16	20
Standard Length of Wire Rope	m	20	20	20	20
Net Weight Without Cable	kg	6.4	12	23	58
Cable Weight	kg	8.5	16.5	25	36
Max. Overall Size (mm)	A	430	548	660	930
	B	238	284	335	390
	C	64	97	116	150
L1(cm)		--	70	70	70
L2(cm)		80	120	120	120

REPUESTOS TECLE MANUAL

GANCHO SUPERIOR



RTMS-TYPE

Model	Capacity
RTMS-05	0.5t
RTMS-1	1t
RTMS-2	2t
RTMS-3	3t
RTMS-5	5t

RTPS-TYPE

Model	Capacity
RTPS15	1.5t
RTPS3	3t

GANCHO INFERIOR



RTMI-TYPE

Model	Capacity
RTMI-05	0.5t
RTMI-1	1t
RTMI-2	2t
RTMI-3	3t
RTMI-5	5t

RTPI-TYPE

Model	Capacity
RTPI15	1.5t
RTPI1	1t

SEGURO PARA EL GANCHO

RTS-TYPE



Repuesto para el mango del Tecle



Model	LHA075	LHA150	LHA300	LHA600
Capacity	t 0.75	1.5	3	6
Standard Lift	m 1.5	1.5	1.5	1.5
Net Weight	kg 7.7	11.8	21	32

Model	LHVK160	LHKV320
Capacity	t 1.6	3.2
Standard Lift	m 1.5	1.5
Net Weight	kg 8.5	2.3

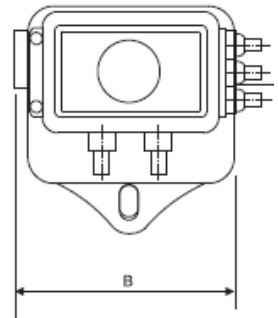
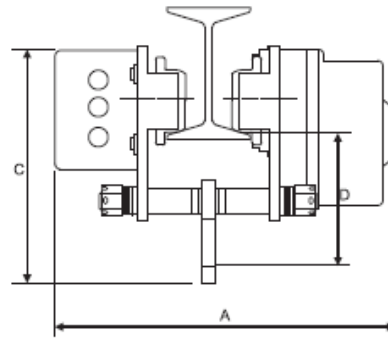
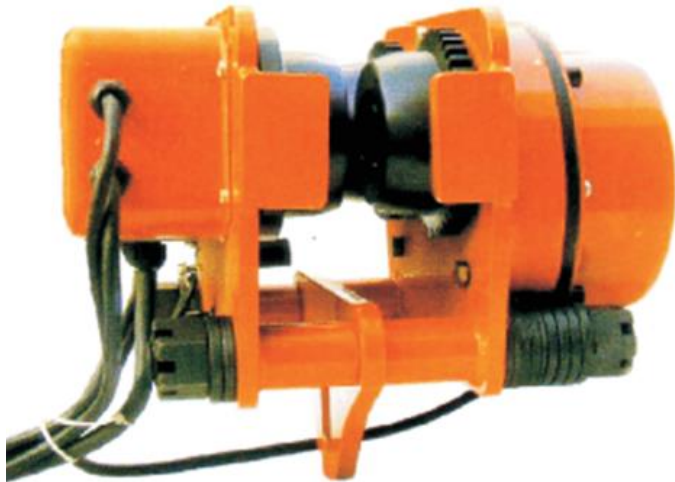
Model Capacity

Model	Capacity
RTS15	1.5mt
RTS2	2mt
RTS3	3mt
RTS5	5mt

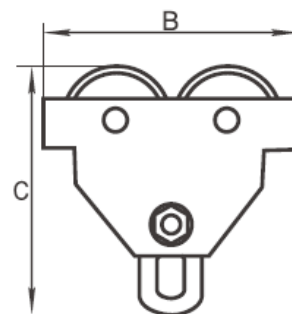
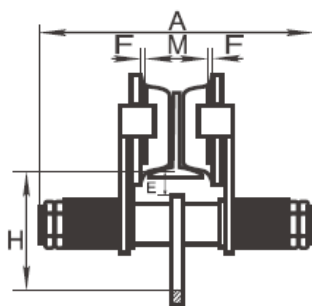


Model		DL-300
Rated Lifting Capacity	kg	300
Lifting Height	mm	100
Dimension (L x W x H)	mm	700 x 830 x 1150
Net Weight	kg	35

ELECTRIC TROLLEY **ETA-TYPE**



Model		ETA-010	ETA-020	ETA-030	ETA-050
Capacity	ton	1.0	2.0	3.0	5.0
Traveling Speed	m/min	20.0/6.7	20.0/6.7	18.0/6.0	18.0/6.0
Motor Power	W	200/66.7	300/100	400/133	400/133
Power Supply		1-3 Phase, 50/60HZ, 220/380/440V			
Current at Full Load		1.5A	1.5A	1.5A	1.5A
Control Voltage		24V/36V/48V			
I-Beam		74-124mm	74-124mm	102-152mm	102-152mm
Dimensions (mm)	A	396	396	442	442
	B	266	270	330	334
	C	264	264	340	342
	D	145	145	180	182



Model		PTCA005	PTCA010	PTCA020	PTCA030	PTCA050	PTCA100	
Capacity	t	0.5	1	2	3	5	10	
Proof Load	kN	7.35	14.7	29.4	44.1	73.5	147	
Min. Radius of Curve	m	0.9	1	1.1	1.3	1.4	1.7	
Dimensions (mm)	A	standard	264	335	353	371	393	436
		extra long	315	437	455	473	490	532
	B	216	260	300	345	390	470	
	C	195	239	286	336	393	500	
	E	31	32.5	31	35	37	45	
	F		≈ 3					
Adjustable Beam Width (mm)	M	standard	64-152	64-203	88-203	102-203	114-203	125-203
		extra long	82-203	102-305	102-305	102-305	108-305	117-305
Net Weight (kg)	standard	8.6	15.4	23	40	50	97	
	extra long	9.2	16.6	25.1	43.8	53.8	102.5	

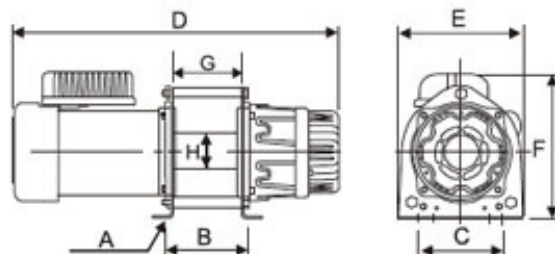
CARRO DE CARGA

CARGO TROLLEY CTB-TYPE



Item	Capacity (ton)	Overall Size (mm)	N. W. (kg)
CTB-06	6	304 x 222 x 115	13
CTB-08	8	390 x 222 x 115	20
CTB-12	12	490 x 222 x 115	26
CTB-18	18	490 x 310 x 115	42

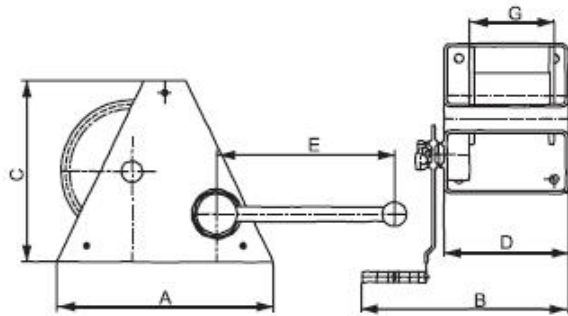
ELECTRIC WINDLASS EWW350-TYPE



Model		EWW020	EWW025	EWW030	EWW030X	EWW050	EWW075	
Rated Capacity	kg	200	250	300		500	750	
Rated Speed	m/min	11		13		13		
Lifting Height	m	29				58		
Wire Rope Diameter	mm	Ø6		Ø7		Ø9		
Work Group		M3		M3		M3		
Motor	kw	0.6x4	0.75x4	1.1x4		2.2 X 4	3 X 4	
Voltage	v	1ph/100/110/120/220/230/240			3ph/230/380/415/440/480			
Frequency	Hz	50/60						
Dimensions(mm)	A	4- Ø10.5				4- Ø14	4- Ø18	
	B	142		172		400		
	C	142				330		
	D	510	525	540	548	922	935	
	E	210				372		
	F	246				430		
	G	108		133		240		
	H	Ø94		Ø90		Ø140		
N.W.	kg	36	40	49	48	136	149	

Model		EWW100	EWW220	EWW320	EWW350	EWW500	EWW1000
Rated Capacity	kg	1000	2200	3200	3500	5000	10000
Rated Speed	m/min	13.5	10	11			
Lifting Height	m	58	97		140	192	235
Wire Rope Diameter	mm	Ø11	Ø16	Ø18		Ø22	Ø32
Work Group		M3					
Motor	kw	4 X 4	6X4	7.5X4	9X4	15X4	22X6
Voltage	v	3ph/230/380/415/440/480					
Frequency	Hz	50/60					
Dimensions(mm)	A	4- Ø18	4- Ø22			6- Ø24	
	B	400	600	847	847	920	1600
	C	330	499	499	499	950	950
	D	935	1160	1431	1431	1860	2450
	E	372	565	565	565	1010	1050
	F	430	658	860	860	1260	1260
	G	240	312	416	416	660	832
	H	Ø140	Ø178			Ø300	
N.W.	kg	156	450	500	550	1500	3000

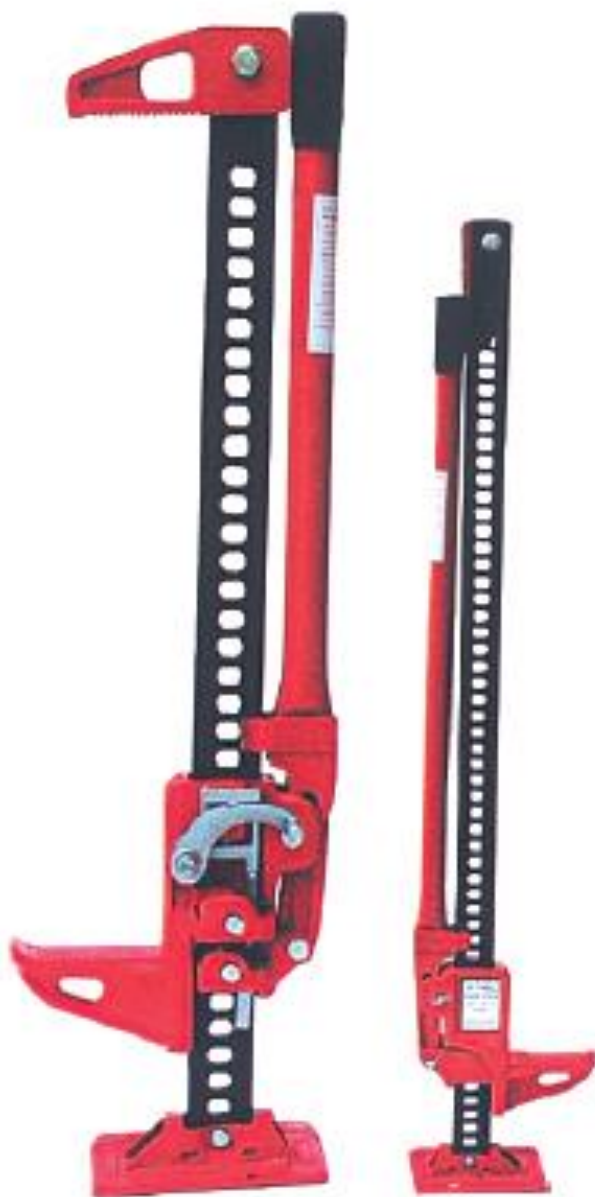
SCISSOR LIFT TABLE



Model	Capacity	Wire Rope	Length	No. of Layers		Net Weight
	kg	mm	mm			kg
HWA150	150	4	22	6		8
HWA300	300	5	40	6		16
HWA500	500	6.8	25	4		17
HWA1000	1000	9	25	4		38
HWA2000	2000	13	30	3		60
Capacity	A	B	C	D	E	Drive Ratio
kg	mm					
150	180	325	150	150	350	2.842:1
300	240	385	200	200	250	6.67:1
500	240	385	200	200	250	7.75:1
1000	412	485	300	300	350	23.75:1
2000	500	585	325	405	350	43.7:1

Model	S.w.l	Wire Rope (MM)	Lenght (M)	No, of layers	Net Weight (Kg)
HWAB-250	250 Kg	5	20	4	10
HWAB-500	500 Kg	6.8	25	4	16
HWAB-1000	1000 Kg	9	35	4	40

FARM JACK



Item	Size	Min. H (mm)	Lifting H (mm)	Max. H (mm)	Weight kg
FJ-20	20"	130	550	680	11
FJ-33	33"	130	570	700	12
FJ-48	48"	130	940	1070	13
FJ-60	60"	155	1195	1350	14

RATCHET SIN FIN TIPO CORREA

ENDLESS ASSEMBLY

	Item	Width/Length	Tensioning Device	L.C.	M.B.S.
	ETD25050	25mm/5m	Cam	250	500
	ETD25160	25mm/5m	Ratchet	800	1600
	ETD28300	28mm/6m	Ratchet	1500	3000
	ETD35400	35mm/6m	Ratchet	2000	4000
	ETD35600			3000	6000
	ETD50800	50mm/8m	Ratchet	4000	8000
	ETD601000			5000	10000
	ETD752000	75mm/10m	Ratchet	10000	20000

ETD50500
Disponible:
Ratchet sin fin tipo correa 50 mm X 9 mts capacidad 5 toneladas

35MM/ 2.5T/3T RATCHET TIE DOWN



	Item	Length	End Fittings	LC	M.B.S.
	RTD3525DJ	0.5 + 5.5M	Double J Hook	1,250KG	2,500KG
	RTD3530DJ			1,500KG	3,000KG
	RTD3525SJ	0.5 + 5.5M	Single J Hook	1,250KG	2,500KG
	RTD3530SJ			1,500KG	3,000KG
	RTD3525CK	0.5 + 5.5M	Claw Hook	1,250KG	2,500KG
	RTD3530CK			1,500KG	3,000KG
	RTD3525TG	0.5 + 5.5M	Triangle	1,250KG	2,500KG
	RTD3530TG			1,500KG	3,000KG

RTD3520DJ
Disponible:
Ratchet con gancho para amarre de carga ancho 35 mm x 8.5 mts capacidad 2 toneladas

50MM/ 4T/5T RATCHET TIE DOWN

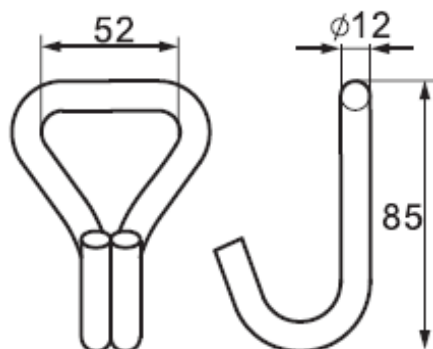


	Item	Length	End Fittings	LC	M.B.S.
	RTD5040DJ	0.5 + 9.5M	Double J Hook	2,000KG	4,000KG
	RTD5050DJ			2,500KG	5,000KG
	RTD5040CK	0.5 + 9.5M	Claw Hook	2,000KG	4,000KG
	RTD5050CK			2,500KG	5,000KG
	RTD5040TS	0.5 + 9.5M	Twisted Snap Hook	2,000KG	4,000KG
	RTD5050TS			2,500KG	5,000KG
	RTD5040FS	0.5 + 9.5M	Flat Snap Hook	2,000KG	4,000KG
	RTD5050FS			2,500KG	5,000KG
	RTD5040JK	0.5 + 9.5M	Double J Hook With Keeper	2,000KG	4,000KG
	RTD5050JK			2,500KG	5,000KG
	RTD5040SJ	0.5 + 9.5M	Single J Hook	2,000KG	4,000KG
	RTD5050SJ			2,500KG	5,000KG
	RTD5040FT	0.5 + 9.5M	Forged Hook With Triangle	2,000KG	4,000KG
	RTD5050FT			2,500KG	5,000KG
	RTD5040TG	0.5 + 9.5M	Triangle	2,000KG	4,000KG
	RTD5050TG			2,500KG	5,000KG

WIRE ROPE GRIPS WRG-TYPE



Item	Capacity (t)	Diameter (mm)	N.W. (kg)
WRG-05	0.5	1-10	0.4
WRG-10	1	2.6-15	0.7
WRG-20	2	4-22	1.3
WRG-30	3	16-32	2.3

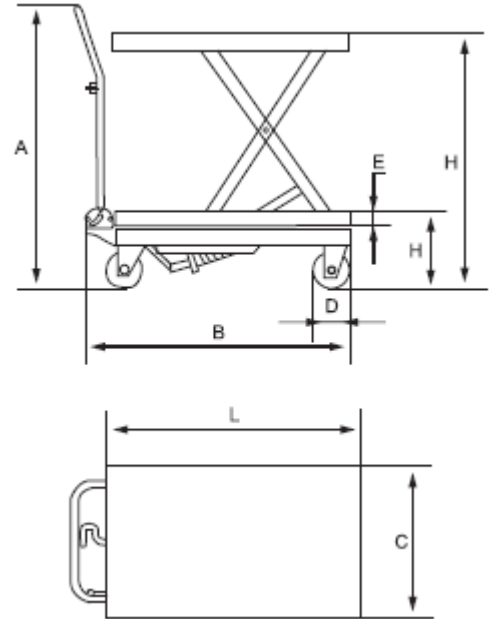


WH5000

2" Double J Hook
BS:5,000KG/11,000LBS

MESA ELEVADORA DE TIJERA

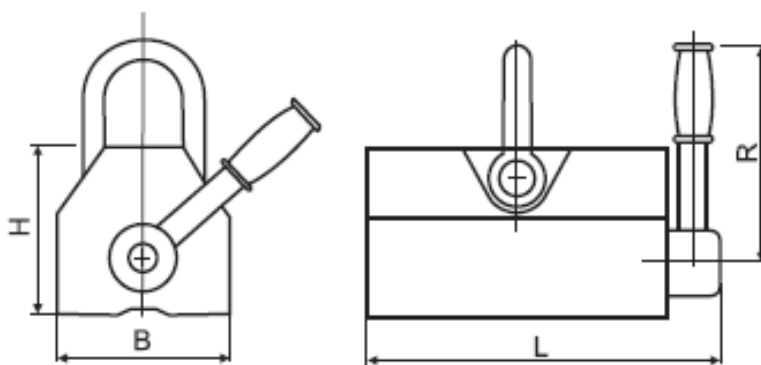
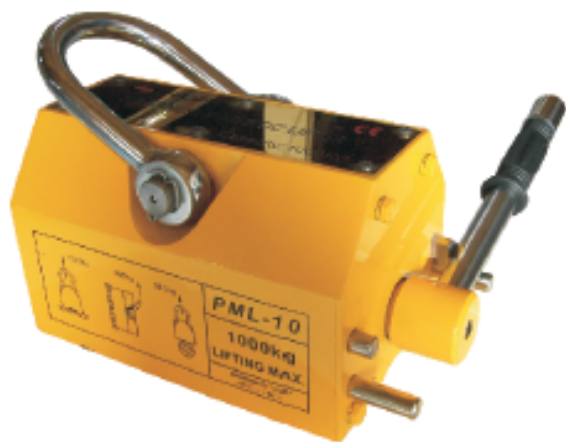
SCISSOR LIFT TABLE TEN-TYPE



- Valuable material handling for use as a feeding table on assembly line.
- Structural heavy duty steel construction.
- Easy action foot operated hydraulic lift for raising table top to desired level.
- Hand operated table descent control.
- Over load by-pass valve protects operator and pump.

Model		TEN150	TEN300/TUS300	TEN350/TUS350	TEN500/TUS500	TEN800/TUS800
Capacity	(kg)	150	300	350	500	800
Max.Lifted Height	H (mm)	740	900	1,300	900	1,000
Min.Height of Table	H (mm)	225	280	348.5	340	420
Dim.of Table	(mm)	740 x 450 x 35	815 x 500 x 50	910 x 500 x 52	855 x 500 x 50	1000 x 515 x 55
Handle Height	A (mm)	825	1,000	970	970	996
Overall Length	B (mm)	780	935	980	925	1,150
Foot Pedal Cycles to Max Height		25	32	55	45	55
Wheel Diameter	D (mm)	100	127	127	127	150
Weight	(kg)	46	76	125	86	115
20' Container	(pcs)	168	120	120	120	75
Carton Size	(mm)	870 x 480 x 330	960 x 520 x 410	1000 x 520 x 400	960 x 520 x 410	1200 x 605 x 440

PERMAMENT MAGNETIC LIFTER PML TYPE



- High safety factor.
- Good air gap feature, the rated plain load could still be attracted up even if the gap is smaller than 0.5mm.
- Easy operating long term attractive force stability.
- It is suitable for transporting the roll steel, pipe materials or the work pieces in round shape.

Model	Rated Lifting Strength (Kg)	Cylindrical Lifting Strength (Kg)	Max Pull-off Strength (Kg)	Dimensions(mm)				Operation Temperature (°C)	N.W. (Kg)
				B Width	L Length	H	R		
PML01	100	30	350	62	92	70	145	<80	3
PML03	300	100	1050	92	162	96	180	<80	10
PML05	500	150	1750	120	216	118	220	<80	20
PML06	600	200	2100	122	232	120	220	<80	24
PML10	1000	300	3500	176	258	163	285	<80	50
PML20	2000	600	7000	234	378	212	465	<80	125
PML30	3000	1000	10500	286	458	261	565	<80	220

- Escalera de plataforma diseñada para labores que requieren de prolongadas jornadas de trabajo en altura.

Tipo de posición	Tijera
Cantidad de escalones	11
Peso	29 kg
Incluye plataforma	Manual
Material de estructura	Fibra de vidrio
Altura máxima de escalera	3m
Peso máximo soportado	135 kg



LUZ PORTABLE PARA TRABAJO



- Armado y desarmado rápido
- Interruptor alto/bajo
- Foco de 12° o reflector de 60°
- Luz de cabezal con rotación de 120°
- Altura 1.6 mts (max) / 74.5 cm (plegado)

Potencia nominal	Tijera
Brillo nominal	Cree 20 W
Capacidad de la batería	7,4v/4000mah/lithium
Tiempo de trabajo	alto -1.5 hrs/bajo - 4 hrs
Talla	1,6 mt
Unidad de peso	3,74 kg
Tiempo de carga	5.5 hrs

PERLON MULTIFILAMENTO

SCISSOR LIFT TABLE



Model

Capacity

MF12 (1/2)	200mts
MF58 (5/8)	200mts
MF34 (3/4)	200mts
MF01 (1)	200mts

ESLINGA A CADENA

Model

Capacity

Height

WSP2051	5.3t	1mt
WSDP2052	5.3t	2mt

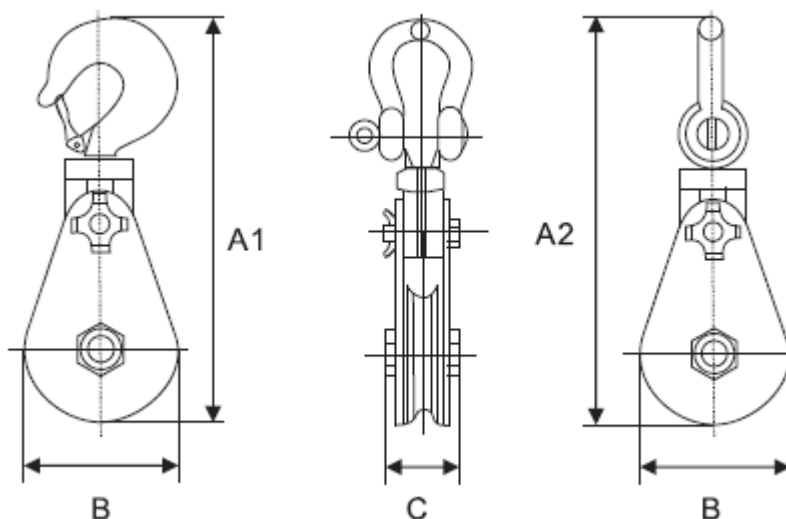


For chain Size mm	Ton	β 0 - 45° α 0 - 90°	45° - 60° 90° - 120°	β 0 - 45° α 0 - 90°	45° - 60° 90° - 120°					
6	1.12	1.6	1.12	2.36	1.7				1.8	
7	1.5	2.12	1.5	3.15	2.24				2.5	
8	2.0	2.8	2.0	4.25	3.0				3.15	
10	3.15	4.25	3.15	6.7	4.75				5.0	
13	5.3	7.5	5.3	11.2	8.0				8.5	
16	8.0	11.2	8.0	17.0	11.5				12.5	
19	19	16.0	11.2	23.6	17.0				18.0	
20	20	17.0	12.5	26.5	19.0				20.0	
22	22	21.2	15.0	31.5	22.4				23.6	
26	26	30.0	21.2	45.0	31.5				33.5	
32	31.5	45.0	31.5	67.0	47.5				50.0	

HEAVY DUTY SNATCH BLOCK



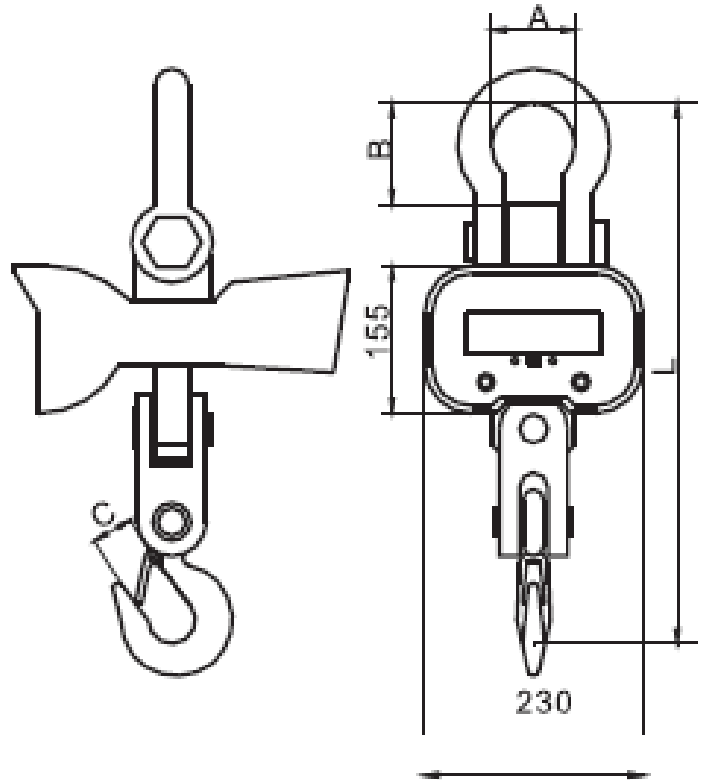
HB TYPE



Model		Sheave Dia.	Capacity	Dimensions(mm)				Wire Rope Dia.	N.W.
Hook	Shackle	mm	t	Hook A1	Shackle A2	B	C	mm	kg
HB07502	SB07502	75	2	292	286	82	70	7-9	3.9
HB11504	SB11504	115	4	358	345	120	70	10-12	6.2
HB15004	SB15004	150	4	412	399	160	70	16-18	8.4
HB15008	SB15008	150	8	498	475	160	93	20-22	14.1
HB20008	SB20008	200	8	549	528	210	93	20-22	19
HB20015	SB20015	200	15	672	663	230	102	22-24	34
HB25010	SB25010	250	10	695	679	260	115	24-26	36
HB25012	SB25012	250	12	701	679	260	115	24-26	36
HB30012	SB30012	300	12	797	767	310	133	24-26	56
HB30015	SB30015	300	15	800	788	310	133	26-28	58
HB35522	SB35522	355	22	960	952	365	140	28-32	112
HB40022	SB40022	400	22	1027	1019	415	140	28-32	122
HB40030	SB40030	400	30	1085	1126	415	155	32-35	170
HB50030	SB50030	500	30	1177	1256	514	162	32-35	213
HB60050	SB60050	600	50	1445	1525	625	240	46-50	418

DINAMOMETRO

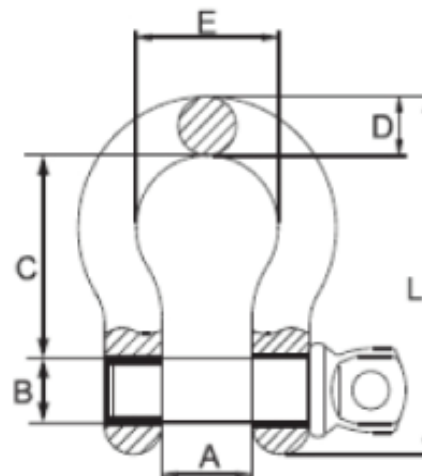
GRANE SCALE



HACS-1-A(LED Display)

Item	Max. Cap.	Min. Cap.	Division Value	Dimensions(mm)				Weight
	Ton	kg	kg	A	B	C	L	kg
HACS-01	1	10	0.5	58	83	30	420	12
HACS-02	2	20	1	58	83	30	420	13
HACS-03	3	20	1	73	107	33	480	15
HACS-05	5	40	2	92	135	45	585	24
HACS-10	10	100	5	94	147	60	770	43
HACS-15	15	100	5	128	178	75	860	61
HACS-20	20	200	10	135	250	75	950	64

SHO-TYPE

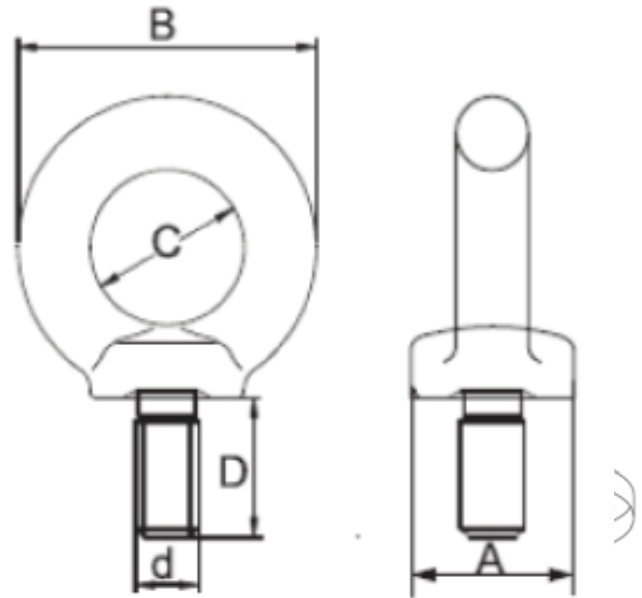


Spec. To RR-C-271D,
Type 4A,
Grade A, Class 2
MIN. B.L. = 6 × WLL

Item	Size	W.L.L.	Dimensions(mm)						Weight kg
			A	B	C	D	E	L	
SH0101	3/16"	1/3T	9.65	6.35	22.4	4.85	15.2	37.3	0.03
SH0102	1/4"	1/2T	11.9	7.85	28.7	6.35	19.8	46.7	0.05
SH0103	5/16"	3/4T	13.5	9.65	31	7.85	21.3	53	0.09
SH0104	3/8"	1T	16.8	11.2	36.6	9.65	26.2	63	0.14
SH0105	7/16"	1-1/2T	19.1	12.7	42.9	11.2	29.5	74	0.17
SH0106	1/2"	2T	20.6	16	47.8	12.7	33.3	83.5	0.33
SH0107	5/8"	3-1/4T	26.9	19.1	60.5	16	42.9	106	0.62
SH0108	3/4"	4-3/4T	31.8	22.4	71.5	19.1	51	126	1.07
SH0109	7/8"	6-1/2T	36.6	25.4	84	22.4	58	148	1.64
SH0110	1"	8-1/2T	42.9	28.7	95.5	25.4	68.5	167	2.28
SH0111	1-1/8"	9-1/2T	46	31.8	108	29.5	74	190	3.36
SH0112	1-1/4"	12T	51.5	35.1	119	32.8	82.5	210	4.31
SH0113	1-3/8"	13-1/2T	57	38.1	133	36.1	92	233	6.14
SH0114	1-1/2"	17T	60.5	41.4	146	39.1	98.5	254	7.8
SH0115	1-3/4"	25T	73	51	178	46.7	127	313	12.6
SH0116	2"	35T	82.5	57	197	53	146	348	20.4
SH0117	2-1/2"	55T	105	70	267	69	184	453	38.9

CANCAMO MECÁNICO

SHO-TYPE



Item	Size	W.L.L. Ton	Dimensions (mm)				Weight kg
	d		A	B	C	D	
HK2306	M6	0.08	17	28	16	13	0.05
HK2308	M8	0.14	20	36	20	15	0.06
HK2310	M10	0.23	25	45	25	18	0.11
HK2312	M12	0.34	30	54	30	22	0.18
HK2314	M14	0.49	35	63	35	28	0.28
HK2316	M16	0.7	35	63	35	28	0.285
HK2318	M18	0.95	40	72	40	30	0.45
HK2320	M20	1.2	40	72	40	30	0.45
HK2322	M22	1.5	45	81	45	35	0.67
HK2324	M24	1.8	50	90	50	38	0.87
HK2327	M27	2.5	50	90	50	38	0.88
HK2330	M30	3.6	65	108	60	45	1.66
HK2333	M33	4.3	65	108	60	45	1.72
HK2336	M36	5.1	75	126	70	55	2.65
HK2339	M39	6.1	75	126	70	55	2.8
HK2342	M42	7	85	144	80	65	4.03
HK2345	M45	8	85	144	80	65	4.25
HK2348	M48	8.6	100	166	90	70	6.38
HK2352	M52	9.9	100	166	90	70	6.6
HK2356	M56	11.5	110	184	100	80	8.8
HK2364	M64	16	120	206	110	90	12.4

LAINA TROQUELADA INOXIDABLE



MEDIDAS (PULGADAS)	MINI KIT W/TKO
0,001	10
0,002	10
0,003	10
0,004	10
0,005	10
0,010	10
0,015	10
0,020	10
0,025	10
0,050	10
0,075	10
0,100	10
0,125	10
Extractor	1
Organizador	1

DESCARGA ESTE CATÁLOGO



FERNORTE INDUSTRIAL LTDA.

Av. Salvador Allende 746, Antofagasta - Chile

Fono: 55 2 590660 +56 9 8188 7861 Email: contacto@fernorte.cl