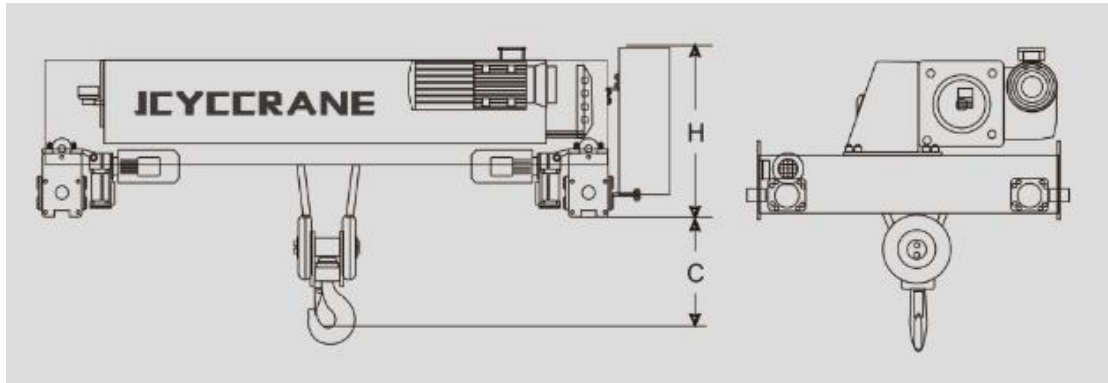


### European design double girder wire rope hoist



Load capacity( kg)	FEM	ISO	Height(m )	Speed(m/ min)	Trolley speed(m/ min)	H size(mm)	C size(mm)
2000	3m	6M	6/9/12	0.8/5.0	5-20	471	390
3200	2m	5M	6/9/12	0.8/5.0	5-20	471	390
5000	2m	5M	6/9/12/1 8	0.8/5.0	5-20	471	450
6300	1Am	4M	6/9/12/1 8	0.8/5.0	5-20	471	450
8000	3m	6M	6/9/12/1 8	0.8/5.0	5-20	542	650
10000	2m	5M	6/9/12/1 8	0.8/5.0	5-20	542	650
10000	3m	6M	6/9/12/1 8	0.6/4.0	5-20	679	700
12500	1Am	4M	6/9/12/1 8	0.8/5.0	5-20	542	650
12500	2m	5M	6/9/12/1 8	0.6/4.0	5-20	679	700
16000	2m	5M	6/9/12/1 8	0.6/4.0	5-20	679	700
20000	1Am	4M	6/9/12/1 8	0.66/4.0	5-20	679	700
20000	2m	5M	6/9/12/1 8	0.53/3.4	5-20	850	700
25000	1Am	4M	6/9/12/1 8	0.53/3.4	5-20	850	1200
25000	2m	5M	6/9/12/1 8	0.8/3.3	5-20	864	1000
32000	2m	5M	6/9/12/1 8	0.8/3.3	5-20	864	1000
32000	2m	5M	6/9/12/1	0-4.9	5-20	1025	950

			8				
40000	1Am	4M	6/9/12/1 8	0-4.9	5-20	1025	950
50000	2m	5M	6/9/12/1 8	0-3.2	5-20	1023	1150
63000	1Am	4M	6/9/12/1 8	0-3.2	5-20	1023	1150
80000	1Bm	3M	6/9/12	0-2.4	5-20	1080	1500