

Victaulic® Dynamic Movement Joint Style W257



1.0 PRODUCT DESCRIPTION

Available Pipe Sizes

- 14 – 72"/DN350 – DN1800
- For pipe sizes greater than 50"/DN1250: Style W257 products utilize Vic-Rings. See [publication 16.12](#) for additional information.

Maximum Working Pressure

- 14 – 24"/DN350 – DN600: 350 psi/2413 kPa
- 26 – 42"/DN650 – DN950: 300 psi/2068 kPa
- 44 – 50"/DN1100 – DN1250: 232 psi/1599 kPa
- 52 – 64"/DN1300 - DN1600 : 175 psi/1206 kPa
- 72"/DN1800: 125 psi/861 kPa

Application

- Meets the design requirements of AWWA M11 for the accommodation of differential movement
- Coated and lined in accordance with the requirements of AWWA C210 Liquid Epoxy Coating Systems for the Interior and Exterior of Steel Water Pipelines
- Supports the accommodation of seismic movement, thermal movement and differential settlement

NOTE

- Other coatings/linings available. Contact Victaulic for additional information.

2.0 CERTIFICATION/LISTINGS

Product designed, manufactured and tested under the Victaulic Quality Management System, as certified by LPCB in accordance with ISO – 9001:2015.

The Grade "E" EPDM gasket is certified for use in drinking water systems by UL LLC in accordance with ANSI/NSF – 61 Drinking Water System Components – Health Effects and ANSI/NSF – 372 Drinking Water System Components – Lead Content for sizes up to 50"/DN1250.

For sizes above 50"/DN1250 please contact Victaulic.

ALWAYS REFER TO ANY NOTIFICATIONS AT THE END OF THIS DOCUMENT REGARDING PRODUCT INSTALLATION, MAINTENANCE OR SUPPORT.

System No.		Location	
Submitted By		Date	

Spec Section		Paragraph	
Approved		Date	

3.0 SPECIFICATIONS – MATERIAL

Housing:

Ductile iron conforming to ASTM A536, Grade 65 – 45 – 12. Grade 65 – 45 – 15 available upon special request.

Vic-Ring Material:

Carbon Steel to ASTM A 105 or equivalent

Pipe/Housing Coating: (specify choice)

Standard: Liquid Epoxy in accordance with AWWA C210.

Optional: Others, contact Victaulic with your requirements.

Nipples:

14" – 72"/DN350 – DN1800: Meeting the physical and mechanical requirements of the following pipe standards: ASTM A53, API 5L, AWWA C200, EN/BS10216 – 1, EN/BS10217 – 1, GB/T 3091, GB/T 8163 or other internationally recognized standards.

Pipe Lining:

Standard: Liquid Epoxy in accordance with AWWA C210.

Optional: Cement/Mortar Type 2 Lining conforming to AWWA C104

Optional: Others, contact Victaulic with your requirements.

Gasket: (specify choice¹)

Grade "E" FlushSeal EPDM

EPDM (Green stripe color code). Temperature range –30°F to +230°F/–34°C to +110°C. May be specified for hot water service within the specified temperature range plus a variety of dilute acids, oil – free air and many chemical services. UL Classified in accordance with ANSI/NSF 61 for cold +73°F/+23°C and hot +180°F/+82°C potable water service and ANSI/NSF 372. NOT COMPATIBLE FOR USE WITH PETROLEUM SERVICES OR STEAM SERVICES.

Grade "T" Nitrile

Nitrile (Orange color code). Temperature range –20°F to +180°F/–29°C to +82°C. May be specified for oil related services, including air with oil vapor, this gasket may be specified for temperatures rated up to +180°F/+82°C. For water related services, this gasket may be specified for temperatures rated up to +150°F/+66°C. For oil free, dry air services, this gasket may be specified for temperatures rated up to +140°F/+60°C. NOT COMPATIBLE FOR USE WITH HOT WATER SERVICES OR STEAM SERVICES.

Grade "L" Silicone

Silicone (Red color code). Temperature range –30°F to +350°F/–34°C to +177°C. May be specified for dry heat, air without hydrocarbons to +350°F/+177°C and certain chemical services.

¹ Services listed are General Service Guidelines only. It should be noted that there are services for which these gaskets are not compatible. Reference should always be made to the latest [Victaulic Seal Selection Guide](#) for specific gasket service guidelines and for a listing of services which are not compatible.

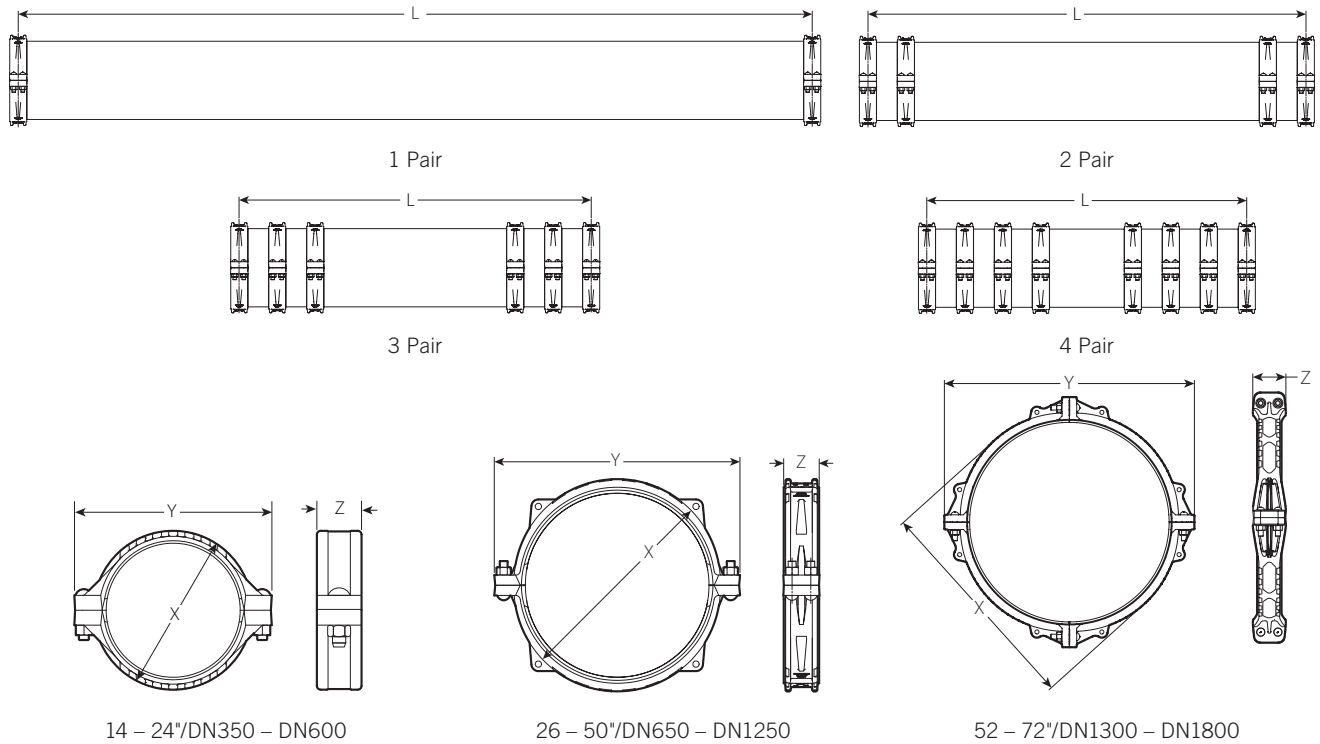
Bolts/Nuts: (specify choice)

Bolts: Oval Neck Track Bolts or Studs. Stainless steel, meeting the mechanical property requirements of ASTM A193 Grade B8M, Class 2 (316 stainless steel).

Condition CW Nuts: Stainless steel meeting the mechanical property requirements of ASTM A194 Grade 8M (316 stainless steel) heavy hex. Condition CW with galling reducing coating.

Washers: Stainless steel, flat. SAE high strength conforming to ASTM A194 Grade 8M or high strength stainless steel.

4.0 DIMENSIONS



Nominal Pipe Size inches DN	# Pairs	Nominal Overall Length (L) ^{2,3}				Dimensions			Approximate Weight			
		1" Sett. feet meters	2" Sett. feet meters	3" Sett. feet meters	4" Sett. feet meters	X inches mm	Y inches mm	Z inches mm	1" Sett. lb kg	2" Sett. lb kg	3" Sett. lb kg	4" Sett. lb kg
14 DN350	1	13' 1" 3.988	26' 2" 7.976	39' 3" 11.964	-	16.00 406	20.63 524	4.50 114	820.00 371.87	1530.00 693.86	2240.00 1015.84	-
	2	5' 9 - 1/2" 1.764	10' 1 - 1/2" 3.085	14' 5 - 1/2" 4.406	18' 10 - 1/2" 5.752				510.00 231.29	750.00 340.13	980.00 444.43	1230.00 557.81
	3	5' 1" 1.547	7' 9" 2.360	10' 4" 3.147	13' 0" 3.960				570.00 258.50	710.00 321.99	850.00 385.48	1000.00 453.50
	4	-	7' 3" 2.208	9' 2 - 3/8" 2.803	11' 0 - 3/8" 3.361				-	780.00 353.73	890.00 403.62	990.00 448.97
16 DN400	1	15' 2" 4.623	30' 4" 9.246	-	-	18.25 464	22.00 559	4.50 114	1070.00 485.25	2020.00 916.07	-	-
	2	6' 5 - 1/2" 1.967	11' 6 - 1/2" 3.517	16' 6 - 1/2" 5.041	21' 7 - 1/2" 6.590				640.00 290.24	960.00 435.36	1270.00 575.95	1590.00 721.07
	3	5' 5 - 7/8" 1.671	8' 7" 2.614	11' 7" 3.528	14' 8" 4.468				690.00 312.92	890.00 403.62	1070.00 485.25	1270.00 575.95
	4	-	7' 10 - 1/8" 2.389	10' 0 - 1/8" 3.049	12' 2 - 3/8" 3.717				-	950.00 430.83	1090.00 494.32	1230.00 557.81
18 DN450	1	16' 9" 5.106	33' 6" 10.211	-	-	20.38 518	25.50 648	4.50 114	1320.00 598.62	2500.00 1133.75	-	-
	2	6' 11 - 1/2" 2.120	12' 6 - 1/2" 3.822	18' 1 - 1/2" 5.523	23' 8 - 1/2" 7.225				750.00 340.13	1150.00 521.53	1540.00 698.39	1940.00 879.79
	3	5' 10" 1.775	9' 2" 2.791	12' 7" 3.833	15' 11" 4.849				800.00 362.80	1040.00 471.64	1280.00 580.48	1510.00 684.79
	4	-	8' 3 - 5/8" 2.528	10' 8 - 3/8" 3.260	13' 1 - 3/8" 3.996				-	1100.00 498.85	1270.00 575.95	1440.00 653.04

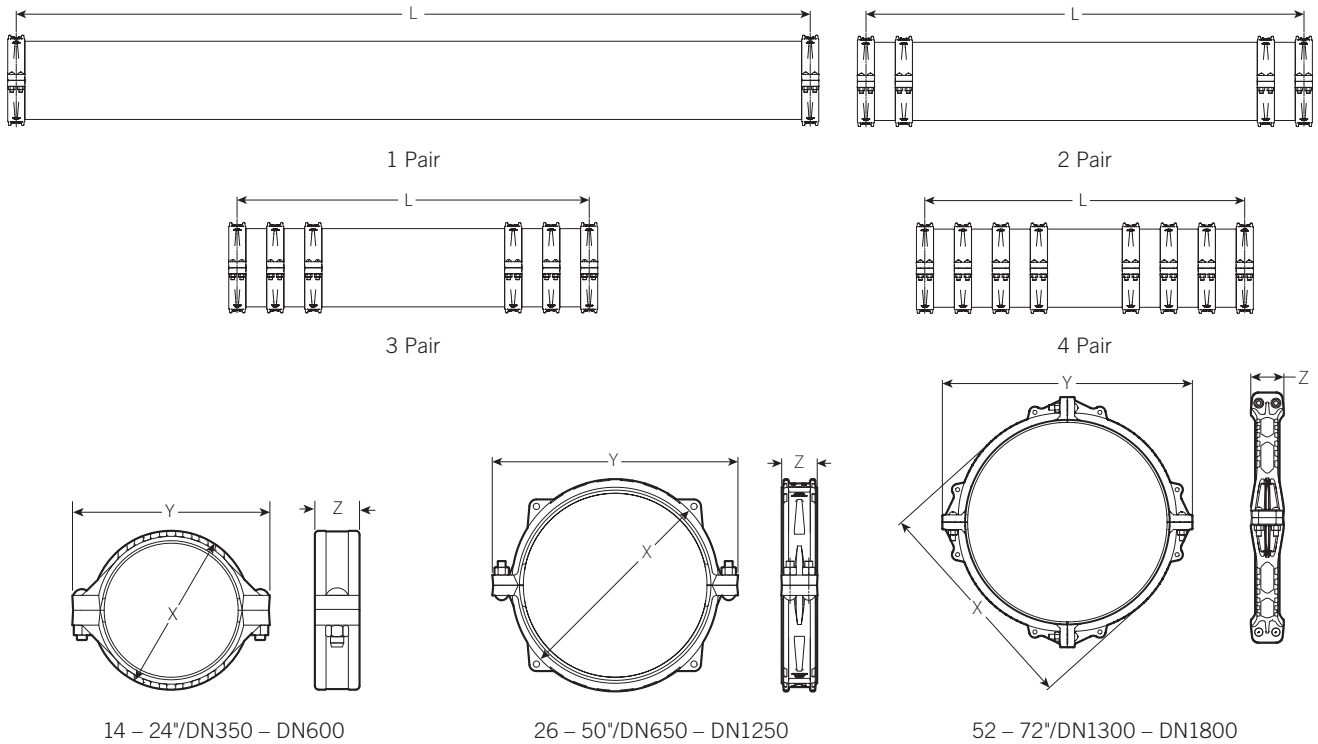
² The actual length of assemblies can vary up to + 2 1/2" depending upon configuration

³ Based upon proprietary manufacturing and component dimensional tolerances, calculated lengths of Style W257 products will differ from published coupling values.

NOTE

- For pipe size and movement requirements beyond the published offerings, contact Victaulic for additional information.

4.0 DIMENSIONS (CONTINUED)



Nominal Pipe Size inches DN	# Pairs	Nominal Overall Length (L) ^{2,3}				Dimensions			Approximate Weight			
		1" Sett. feet meters	2" Sett. feet meters	3" Sett. feet meters	4" Sett. feet meters	X inches mm	Y inches mm	Z inches mm	1" Sett. lb kg	2" Sett. lb kg	3" Sett. lb kg	4" Sett. lb kg
20 DN500	1	19' 2" 5.842	38' 3" 11.659	-	-	22.63 575	27.13 689	4.50 114	1680.00 761.88	3180.00 1442.13	-	-
	2	7' 9 - 1/2" 2.374	14' 1 - 1/2" 4.304	20' 6 - 1/2" 6.260	26' 10 - 1/2" 8.190				940.00 426.29	1440.00 653.04	1950.00 884.33	2440.00 1106.54
	3	6' 4" 1.928	10' 2" 3.096	14' 0" 4.265	17' 9" 5.408				990.00 448.97	1290.00 585.02	1590.00 721.07	1890.00 857.12
	4	-	9' 0 - 3/8" 2.752	11' 8 - 3/8" 3.565	14' 5 - 3/8" 4.403				-	1360.00 616.76	1570.00 712.00	1790.00 811.77
22 DN550	1	19' 2" 5.842	38' 3" 11.659	-	-	24.75 629	29.25 743	4.50 114	1860.00 843.51	3520.00 1596.32	-	-
	2	7' 9 - 1/2" 2.374	14' 1 - 1/2" 4.304	20' 6 - 1/2" 6.260	26' 10 - 1/2" 8.190				1070.00 485.25	1620.00 734.67	2180.00 988.63	2730.00 1238.06
	3	6' 4" 1.928	10' 2" 3.096	14' 0" 4.265	17' 9" 5.408				1140.00 516.99	1470.00 666.65	1810.00 820.84	2130.00 965.96
	4	-	9' 0 - 3/8" 2.752	11' 8 - 3/8" 3.565	14' 5 - 3/8" 4.403				-	1570.00 712.00	1800.00 816.30	2040.00 925.14
24 DN600	1	22' 9" 6.935	-	-	-	26.88 683	31.25 794	4.50 114	2370.00 1074.80	-	-	-
	2	8' 11 - 1/2" 2.729	16' 6 - 1/2" 5.041	24' 1 - 1/2" 7.352	31' 8 - 1/2" 9.664				1280.00 580.48	2000.00 907.00	2710.00 1228.99	3430.00 1555.51
	3	7' 1" 2.156	11' 7" 3.528	16' 2" 4.925	20' 8" 6.297				1310.00 594.09	1740.00 789.09	2170.00 984.10	2600.00 1179.10
	4	-	10' 0 - 3/8" 3.057	13' 3 - 3/8" 4.047	16' 6 - 3/8" 5.038				-	1800.00 816.30	2110.00 956.89	2420.00 1097.47

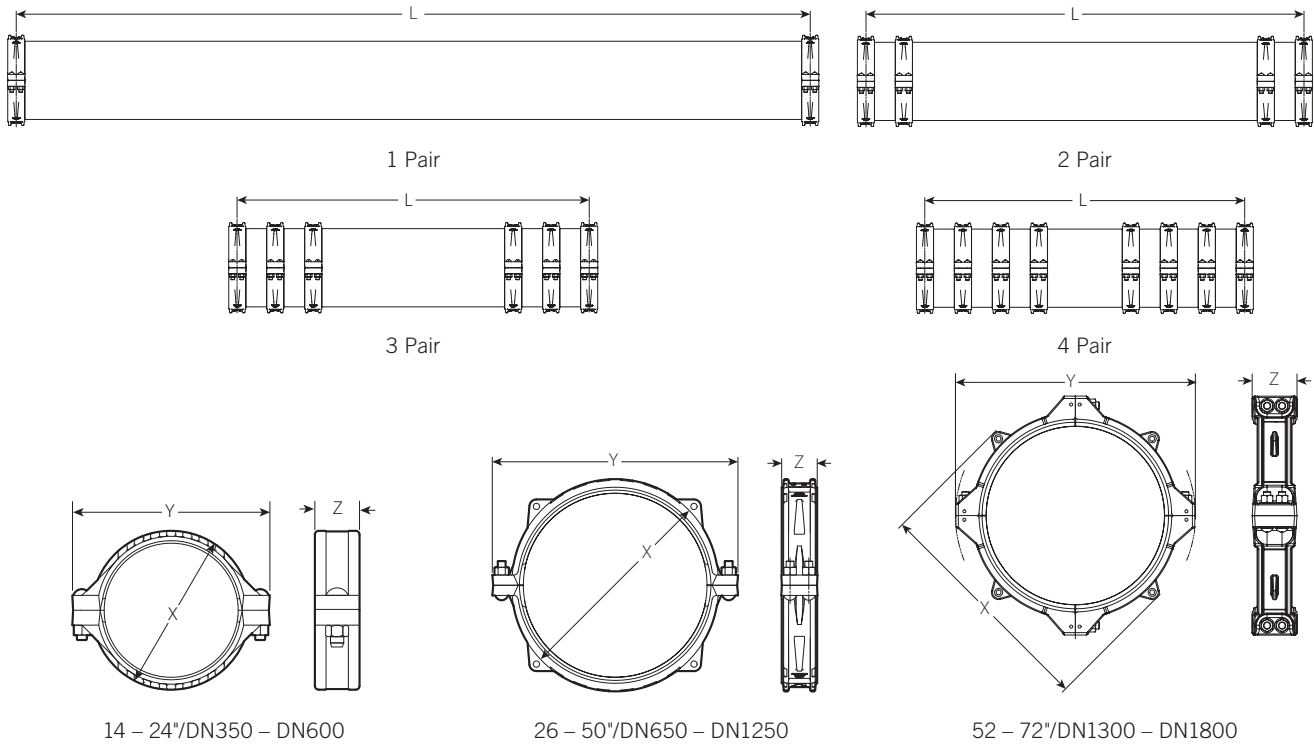
² The actual length of assemblies can vary up to + 2 1/2" depending upon configuration

³ Based upon proprietary manufacturing and component dimensional tolerances, calculated lengths of Style W257 products will differ from published coupling values.

NOTE

- For pipe size and movement requirements beyond the published offerings, contact Victaulic for additional information.

4.0 DIMENSIONS (CONTINUED)



Nominal Pipe Size inches DN	# Pairs	Nominal Overall Length (L) ^{2,3}				Dimensions			Approximate Weight			
		1" Sett. feet meters	2" Sett. feet meters	3" Sett. feet meters	4" Sett. feet meters	X inches mm	Y inches mm	Z inches mm	1" Sett. lb kg	2" Sett. lb kg	3" Sett. lb kg	4" Sett. lb kg
26 DN650	1	11' 6" 3.506	23' 0" 7.011	34' 7" 10.541	-	30.13 765	35.25 895	5.75 146	1600.00 725.60	2780.00 1260.73	3970.00 1800.40	-
	2	5' 2 - 3/4" 1.593	9' 0 - 3/4" 2.761	12' 10 - 3/4" 3.929	16' 8 - 3/4" 5.098				1360.00 616.76	1750.00 793.63	2140.00 970.49	2540.00 1151.89
	3	5' 1 - 3/8" 1.559	7' 1 - 3/8" 2.169	9' 5 - 3/8" 2.880	11' 8 - 3/8" 3.566				1750.00 793.63	1950.00 884.33	2190.00 993.17	2420.00 1097.47
	4	-	-	8' 6 - 1/8" 2.592	10' 2 - 1/8" 3.100				-	-	2500.00 1133.75	2670.00 1210.85
28 DN700	1	12' 3" 3.734	24' 6" 7.468	36' 9" 11.202	-	32.25 819	37.25 946	5.75 146	1800.00 816.30	3160.00 1433.06	4510.00 2045.29	-
	2	5' 5 - 3/4" 1.669	9' 6 - 3/4" 2.913	13' 7 - 3/4" 4.158	17' 8 - 3/4" 5.403				1480.00 671.18	1940.00 879.79	2390.00 1083.87	2840.00 1287.94
	3	5' 1 - 3/8" 1.559	7' 5 - 3/8" 2.270	9' 10 - 3/8" 3.007	12' 3 - 3/8" 3.743				1880.00 852.58	2140.00 970.49	2400.00 1088.40	2670.00 1210.85
	4	-	7' 2 - 1/8" 2.186	8' 10 - 1/8" 2.694	10' 7 - 1/8" 3.227				-	2540.00 1151.89	2720.00 1233.52	2920.00 1324.22
30 DN750	1	13' 1" 3.988	26' 2" 7.976	39' 3" 11.964	-	33.88 863	39.63 1007	5.75 146	2010.00 911.54	3570.00 1619.00	5120.00 2321.92	-
	2	5' 9 - 3/4" 1.770	10' 1 - 3/4" 3.091	14' 5 - 3/4" 4.412	18' 10 - 3/4" 5.758				1600.00 725.60	2110.00 956.89	2630.00 1192.71	3150.00 1428.53
	3	5' 1 - 3/8" 1.559	7' 9 - 3/8" 2.372	10' 4 - 3/8" 3.159	12' 11 - 3/8" 3.947				1960.00 888.86	2280.00 1033.98	2580.00 1170.03	2890.00 1310.62
	4	-	7' 4 - 1/8" 2.237	9' 2 - 1/8" 2.796	11' 1 - 1/8" 3.380				-	2670.00 1210.85	2890.00 1310.62	3120.00 1414.92

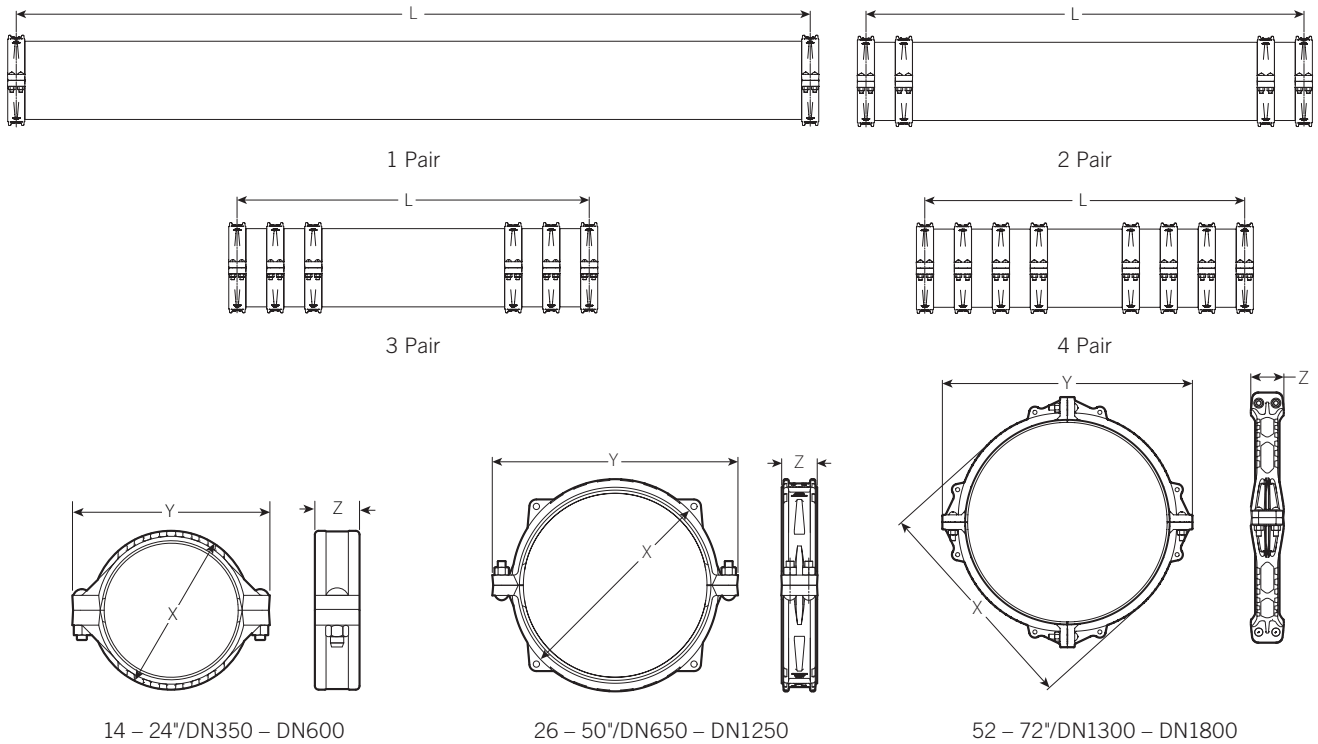
² The actual length of assemblies can vary up to + 2 1/2" depending upon configuration

³ Based upon proprietary manufacturing and component dimensional tolerances, calculated lengths of Style W257 products will differ from published coupling values.

NOTE

- For pipe size and movement requirements beyond the published offerings, contact Victaulic for additional information.

4.0 DIMENSIONS (CONTINUED)



Nominal Pipe Size inches DN	# Pairs	Nominal Overall Length (L) ^{2,3}				Dimensions			Approximate Weight			
		1" Sett. feet meters	2" Sett. feet meters	3" Sett. feet meters	4" Sett. feet meters	X inches mm	Y inches mm	Z inches mm	1" Sett. lb kg	2" Sett. lb kg	3" Sett. lb kg	4" Sett. lb kg
32 DN800	1	14' 1" 4.293	28' 1" 8.560	-	-	36.13 918	41.75 1060	5.75 146	2270.00 1029.45	4050.00 1836.68	-	-
	2	6' 0 - 3/4" 1.847	10' 9 - 3/4" 3.294	15' 5 - 3/4" 4.717	20' 1 - 3/4" 6.139				1730.00 784.56	2340.00 1061.19	2930.00 1328.76	3520.00 1596.32
	3	5' 4 - 3/8" 1.635	8' 1 - 3/8" 2.473	10' 11 - 3/8" 3.337	13' 9 - 3/8" 4.201				2120.00 961.42	2470.00 1120.15	2830.00 1283.41	3190.00 1446.67
	4	-	7' 7 - 1/8" 2.313	9' 7 - 1/8" 2.923	11' 7 - 1/8" 3.532				-	2880.00 1306.08	3130.00 1419.46	3390.00 1537.37
34 DN850	1	13' 10" 4.217	27' 8" 8.433	-	-	38.25 972	43.75 1111	5.75 146	2380.00 1079.33	4240.00 1922.84	-	-
	2	6' 0 - 3/4" 1.847	10' 7 - 3/4" 3.244	15' 2 - 3/4" 4.641	19' 10 - 3/4" 6.063				1830.00 829.91	2450.00 1111.08	3070.00 1392.25	3700.00 1677.95
	3	5' 3 - 3/8" 1.610	8' 0 - 3/8" 2.448	10' 10 - 3/8" 3.312	13' 7 - 3/8" 4.150				2230.00 1011.31	2600.00 1179.10	2980.00 1351.43	3350.00 1519.23
	4	-	7' 6 - 1/8" 2.288	9' 6 - 1/8" 2.897	11' 6 - 1/8" 3.507				-	3030.00 1374.11	3300.00 1496.55	3570.00 1619.00
36 DN900	1	15' 11" 4.852	31' 10" 9.703	-	-	40.25 1022	45.75 1161	5.75 146	2810.00 1274.34	5090.00 2308.32	-	-
	2	6' 8 - 3/4" 2.050	12' 0 - 3/4" 3.675	17' 3 - 3/4" 5.276	22' 7 - 3/4" 6.901				2030.00 920.61	2790.00 1265.27	3540.00 1605.39	4300.00 1950.05
	3	5' 8 - 3/8" 1.737	8' 10 - 3/8" 2.702	12' 0 - 3/8" 3.667	15' 3 - 3/8" 4.658				2410.00 1092.94	2860.00 1297.01	3310.00 1501.09	3780.00 1714.23
	4	-	8' 2 - 1/8" 2.491	10' 5 - 1/8" 3.177	12' 8 - 1/8" 3.862				-	3290.00 1492.02	3610.00 1637.14	3930.00 1782.26

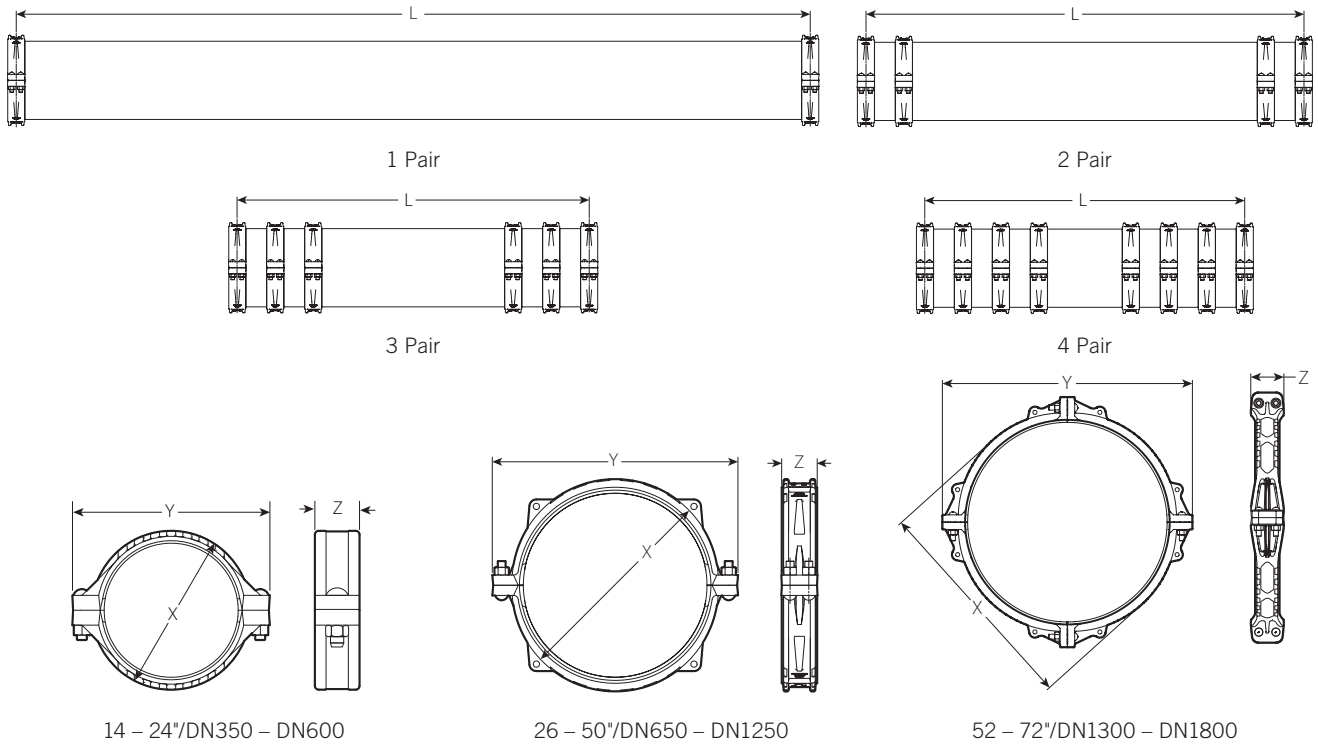
² The actual length of assemblies can vary up to + 2 1/2" depending upon configuration

³ Based upon proprietary manufacturing and component dimensional tolerances, calculated lengths of Style W257 products will differ from published coupling values.

NOTE

- For pipe size and movement requirements beyond the published offerings, contact Victaulic for additional information.

4.0 DIMENSIONS (CONTINUED)



Nominal Pipe Size inches DN	# Pairs	Nominal Overall Length (L) ^{2,3}				Dimensions			Approximate Weight			
		1" Sett. feet meters	2" Sett. feet meters	3" Sett. feet meters	4" Sett. feet meters	X inches mm	Y inches mm	Z inches mm	1" Sett. lb kg	2" Sett. lb kg	3" Sett. lb kg	4" Sett. lb kg
38 DN950	1	16' 9" 5.106	33' 6" 10.211	-	-	41.25 1048	48.00 1219	5.75 146	3130.00 1419.46	5650.00 2562.28	-	-
	2	6' 11 - 3/4" 2.126	12' 6 - 3/4" 3.828	18' 1 - 3/4" 5.530	23' 8 - 3/4" 7.231				2240.00 1015.84	3080.00 1396.78	3920.00 1777.72	4770.00 2163.20
	3	5' 10 - 3/8" 1.788	9' 2 - 3/8" 2.804	12' 6 - 3/8" 3.820	15' 11 - 3/8" 4.861				2660.00 1206.31	3160.00 1433.06	3670.00 1664.35	4180.00 1895.63
	4	-	8' 4 - 1/8" 2.542	10' 9 - 1/8" 3.278	13' 2 - 1/8" 4.015				-	3620.00 1641.67	3990.00 1809.47	4350.00 1972.73
40 DN1000	1	17' 5" 5.309	34' 9" 10.592	-	-	44.00 1117	50.50 1283	6.50 165	3450.00 1564.58	6210.00 2816.24	-	-
	2	7' 7 - 7/8" 2.332	13' 4 - 7/8" 4.085	19' 2 - 7/8" 5.863	24' 11 - 7/8" 7.615				2570.00 1165.50	3480.00 1578.18	4410.00 1999.94	5320.00 2412.62
	3	6' 9 - 5/8" 2.073	10' 3 - 5/8" 3.140	13' 8 - 5/8" 4.181	17' 2 - 5/8" 5.248				3100.00 1405.85	3660.00 1659.81	4200.00 1904.70	4760.00 2158.66
	4	-	9' 8 - 1/2" 2.957	12' 2 - 1/2" 3.719	14' 8 - 1/2" 4.481				-	4230.00 1918.31	4630.00 2099.71	5030.00 2281.11
42 DN1050	1	18' 5" 5.614	36' 9" 11.202	-	-	46.00 1168	52.50 1334	6.50 165	3800.00 1723.30	6860.00 3111.01	-	-
	2	7' 11 - 7/8" 2.434	14' 0 - 7/8" 4.288	20' 2 - 7/8" 6.168	26' 3 - 7/8" 8.022				2770.00 1256.20	3780.00 1714.23	4810.00 2181.34	5830.00 2643.91
	3	6' 11 - 5/8" 2.124	10' 8 - 5/8" 3.267	14' 4 - 5/8" 4.385	18' 0 - 5/8" 5.502				3310.00 1501.09	3930.00 1782.26	4540.00 2058.89	5150.00 2335.53
	4	-	10' 0 - 1/2" 3.059	12' 7 - 1/2" 3.846	15' 3 - 1/2" 4.659				-	4530.00 2054.36	4960.00 2249.36	5400.00 2448.90

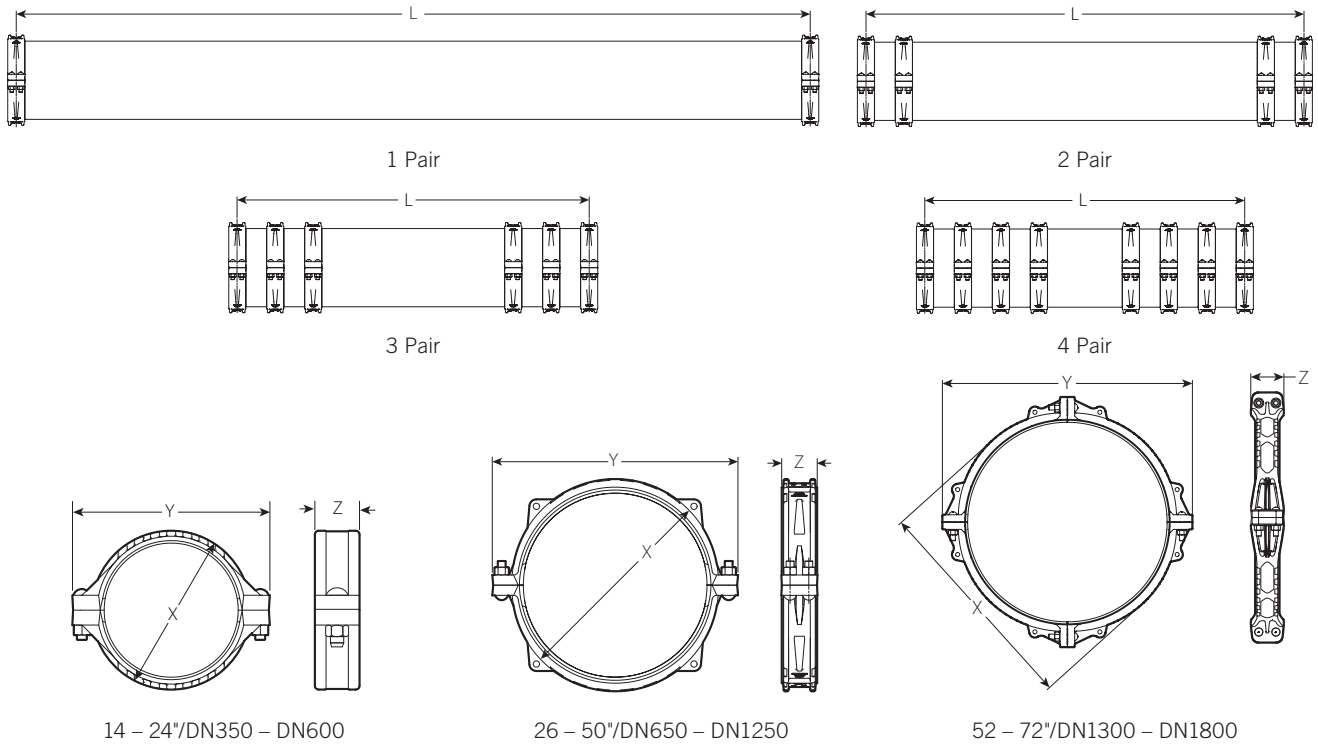
² The actual length of assemblies can vary up to + 2 1/2" depending upon configuration

³ Based upon proprietary manufacturing and component dimensional tolerances, calculated lengths of Style W257 products will differ from published coupling values.

NOTE

- For pipe size and movement requirements beyond the published offerings, contact Victaulic for additional information.

4.0 DIMENSIONS (CONTINUED)



Nominal Pipe Size inches DN	# Pairs	Nominal Overall Length (L) ^{2,3}				Dimensions			Approximate Weight			
		1" Sett. feet meters	2" Sett. feet meters	3" Sett. feet meters	4" Sett. feet meters	X inches mm	Y inches mm	Z inches mm	1" Sett. lb kg	2" Sett. lb kg	3" Sett. lb kg	4" Sett. lb kg
44 DN1100	1	19' 6" 5.944	39' 0" 11.888	-	-	50.25 1277	56.50 1435	6.50 165	4200.00 1904.70	7610.00 3451.14	-	-
	2	8' 3 - 7/8" 2.535	14' 9 - 7/8" 4.517	21' 3 - 7/8" 6.498	27' 9 - 7/8" 8.479				3010.00 1365.04	4140.00 1877.49	5280.00 2394.48	6420.00 2911.47
	3	7' 2 - 5/8" 2.200	11' 1 - 5/8" 3.394	15' 0 - 5/8" 4.588	18' 10 - 5/8" 5.756				3580.00 1623.53	4270.00 1936.45	4950.00 2244.83	5620.00 2548.67
	4	-	10' 3 - 1/2" 3.135	13' 1 - 1/2" 3.998	15' 10 - 1/8" 4.828				-	4890.00 2217.62	5380.00 2439.83	5860.00 2657.51
46 DN1150	1	20' 4" 6.198	-	-	-	50.25 1277	56.50 1435	6.50 165	4550.00 2063.43	-	-	-
	2	8' 3 - 7/8" 2.637	15' 4 - 7/8" 4.694	22' 1 - 7/8" 6.752	28' 11 - 7/8" 8.835				3230.00 1464.81	4470.00 2027.15	5700.00 2584.95	6950.00 3151.83
	3	7' 4 - 5/8" 2.251	11' 5 - 5/8" 3.496	15' 6 - 5/8" 4.740	19' 6 - 5/8" 5.959				3820.00 1732.37	4570.00 2072.50	5310.00 2408.09	6050.00 2743.68
	4	-	10' 6 - 1/2" 3.211	13' 5 - 1/2" 4.100	16' 4 - 1/2" 4.989				-	5210.00 2362.74	5750.00 2607.63	6280.00 2847.98
48 DN1200	1	21' 3" 6.477	-	-	-	52.25 1328	58.50 1486	6.50 165	4910.00 2226.69	-	-	-
	2	8' 10 - 7/8" 2.713	15' 11 - 7/8" 4.872	23' 0 - 7/8" 7.031	30' 1 - 7/8" 9.190				3390.00 1537.37	4740.00 2149.59	6100.00 2766.35	7450.00 3378.58
	3	7' 6 - 5/8" 2.302	11' 9 - 5/8" 3.597	16' 0 - 5/8" 4.893	20' 3 - 5/8" 6.188				3970.00 1800.40	4780.00 2167.73	5590.00 2535.07	6410.00 2906.94
	4	-	10' 9 - 1/2" 3.287	13' 10 - 1/2" 4.227	16' 10 - 1/2" 5.141				-	5430.00 2462.51	6010.00 2725.54	6590.00 2988.57

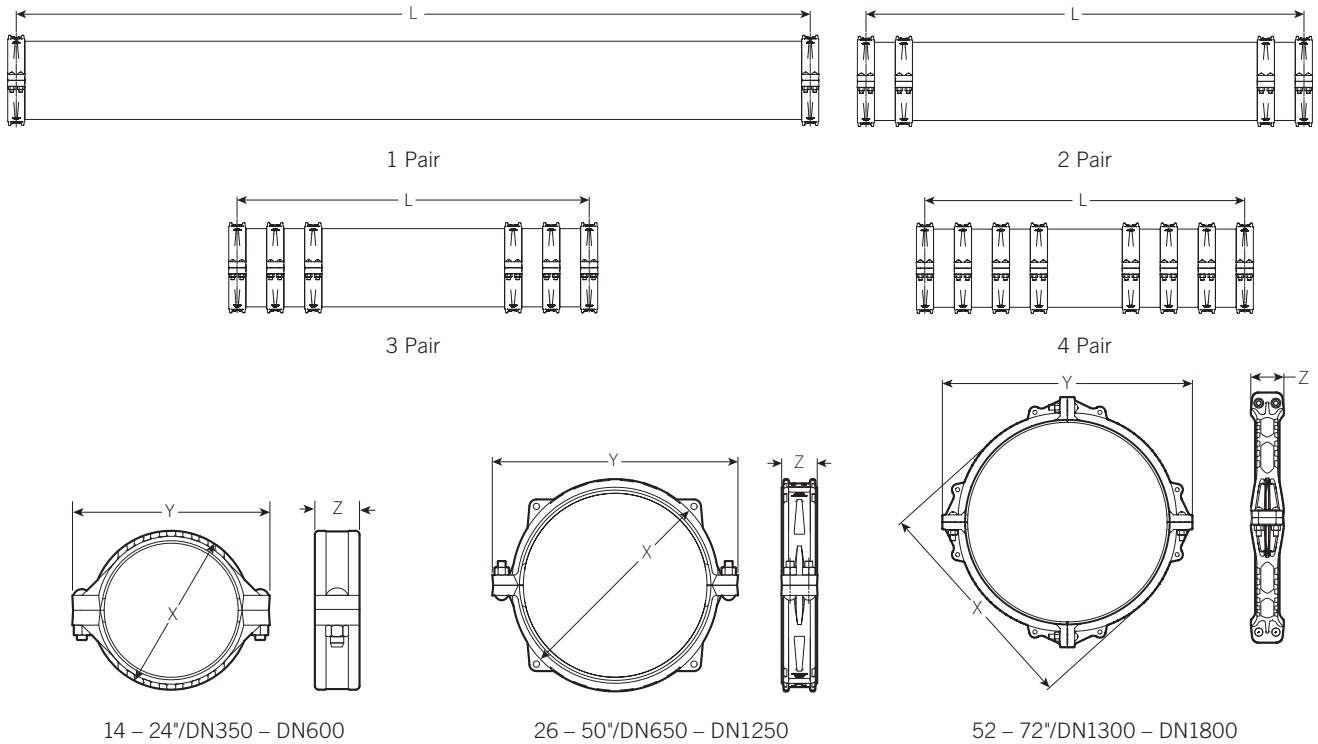
² The actual length of assemblies can vary up to + 2 1/2" depending upon configuration

³ Based upon proprietary manufacturing and component dimensional tolerances, calculated lengths of Style W257 products will differ from published coupling values.

NOTE

- For pipe size and movement requirements beyond the published offerings, contact Victaulic for additional information.

4.0 DIMENSIONS (CONTINUED)



Nominal Pipe Size inches DN	# Pairs	Nominal Overall Length (L) ^{2,3}				Dimensions			Approximate Weight			
		1" Sett. feet meters	2" Sett. feet meters	3" Sett. feet meters	4" Sett. feet meters	X inches mm	Y inches mm	Z inches mm	1" Sett. lb kg	2" Sett. lb kg	3" Sett. lb kg	4" Sett. lb kg
50 1250	1	22' 3" 6.782	-	-	-	53.63 1362	60.88 1546	10.00 254	5430.00 2462.51	-	-	-
	2	9' 2 - 7/8" 2.815	16' 7 - 7/8" 5.075	24' 0 - 7/8" 7.336	31' 5 - 7/8" 9.597				3830.00 1736.91	5300.00 2403.55	6780.00 3074.73	8250.00 3741.38
	3	7' 9 - 5/8" 2.378	12' 2 - 5/8" 3.724	16' 7 - 5/8" 5.070	21' 1 - 5/8" 6.442				4530.00 2054.36	5410.00 2453.44	6290.00 2852.52	7180.00 3256.13
	4	-	11' 1 - 1/2" 3.389	14' 3 - 1/2" 4.354	17' 5 - 1/2" 5.319				-	6180.00 2802.63	6810.00 3088.34	7440.00 3374.04
52 1300	1	12' 0" 3.658	23' 11" 7.290	35' 10" 10.922	-	60.00 1524	68.50 1740	10.00 254	5060.00 2294.71	7620.00 3455.67	10180.00 4616.63	-
	2	7' 5" 2.260	13' 4" 4.063	19' 4" 5.892	25' 4" 7.721				6910.00 3133.69	8180.00 3709.63	9470.00 4294.65	10760.00 4879.66
	3	6' 10" 2.080	10' 9" 3.274	14' 9" 4.493	18' 9" 5.712				9620.00 4362.67	10460.00 4743.61	11320.00 5133.62	12180.00 5523.63
	4	-	10' 1 - 7/8" 3.095	13' 1 - 7/8" 4.009	16' 1 - 7/8" 4.924				-	13180.00 5977.13	13820.00 6267.37	14470.00 6562.15
54 1350	1	12' 7" 3.836	25' 2" 7.671	37' 9" 11.507	-	62.00 1524	70.50 1791	10.00 254	5390.00 2444.37	8190.00 3714.17	10990.00 4983.97	-
	2	7' 8" 2.336	14' 0" 4.266	20' 3" 6.171	26' 7" 8.102				7270.00 3296.95	8680.00 3936.38	10070.00 4566.75	11470.00 5201.65
	3	6' 0" 2.131	11' 2" 3.401	15' 5" 4.696	19' 7" 5.966				10090.00 4575.82	11020.00 4997.57	11960.00 5423.86	12890.00 5845.62
	4	-	10' 5 - 7/8" 3.196	13' 7 - 7/8" 4.162	16' 8 - 7/8" 5.101				-	13840.00 6276.44	14540.00 6593.89	15230.00 6906.81

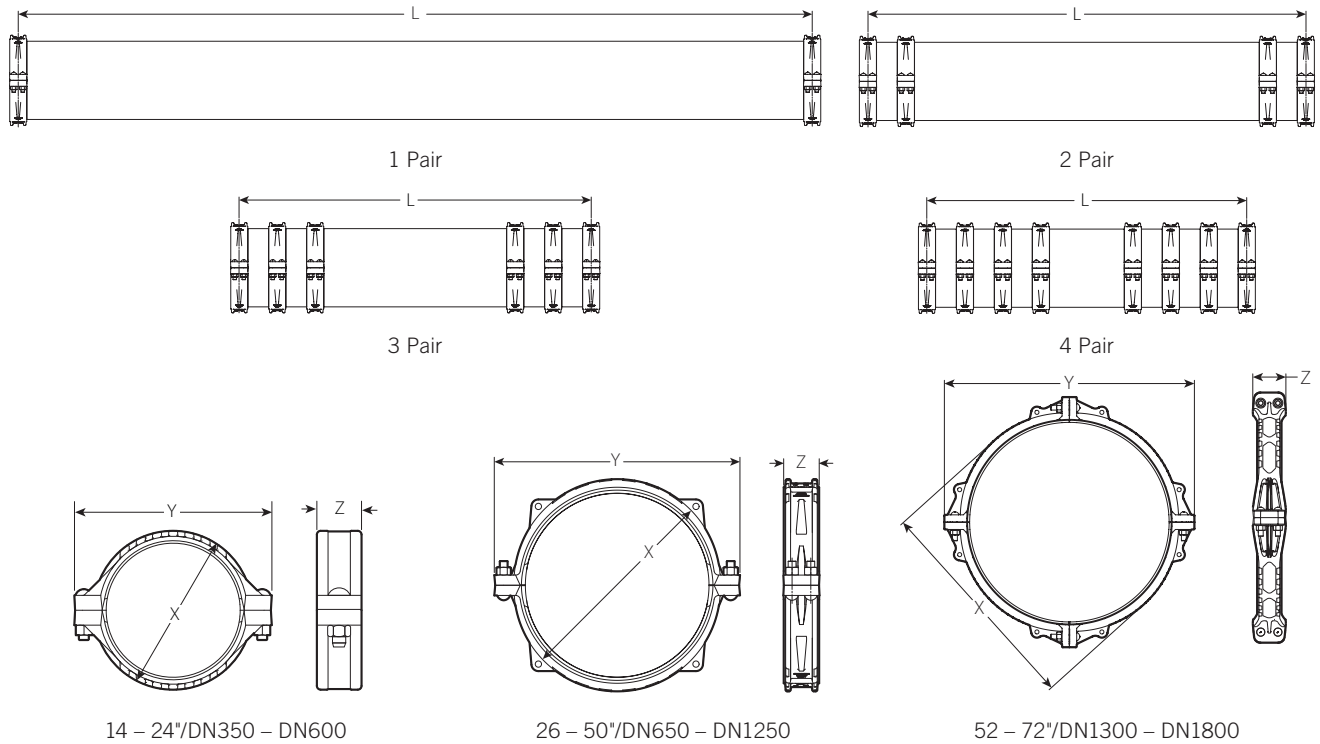
² The actual length of assemblies can vary up to + 2 1/2" depending upon configuration

³ Based upon proprietary manufacturing and component dimensional tolerances, calculated lengths of Style W257 products will differ from published coupling values.

NOTE

- For pipe size and movement requirements beyond the published offerings, contact Victaulic for additional information.

4.0 DIMENSIONS (CONTINUED)



Nominal Pipe Size inches DN	# Pairs	Nominal Overall Length (L) ^{2,3}				Dimensions			Approximate Weight			
		1" Sett. feet meters	2" Sett. feet meters	3" Sett. feet meters	4" Sett. feet meters	X inches mm	Y inches mm	Z inches mm	1" Sett. lb kg	2" Sett. lb kg	3" Sett. lb kg	4" Sett. lb kg
58 1450	1	13' 3" 4.039	26' 7" 8.103	39' 10" 12.142	-	66.00 1676	74.50 1892	10.00 254	5860.00 2657.51	9050.00 4104.18	12210.00 5537.24	-
	2	8' 1" 2.463	14' 8" 4.469	21' 4" 6.501	27' 11" 8.508				7720.00 3501.02	9290.00 4213.02	10880.00 4934.08	12460.00 5650.61
	3	7' 3" 2.207	11' 8" 3.553	16' 1" 4.900	20' 6" 6.246				10610.00 4811.64	11670.00 5292.35	12720.00 5768.52	13780.00 6249.23
	4	-	10' 9 - 7/8" 3.298	14' 1 - 7/8" 4.314	17' 5 - 7/8" 5.330				-	14560.00 6602.96	15360.00 6965.76	16150.00 7324.03
60 1500	1	13' 8" 4.166	27' 4" 8.332	-	-	68.50 1740	77.00 1956	10.00 254	6240.00 2829.84	9620.00 4362.67	-	-
	2	8' 3" 2.514	15' 1" 4.596	21' 11" 6.679	28' 8" 8.737				8180.00 3709.63	9870.00 4476.05	11560.00 5242.46	13220.00 5995.27
	3	7' 4" 2.233	11' 11" 3.630	16' 6" 5.027	21' 0" 6.398				11230.00 5092.81	12360.00 5605.26	13490.00 6117.72	14610.00 6625.64
	4	-	10' 11 - 7/8" 3.349	14' 4 - 7/8" 4.390	17' 9 - 7/8" 5.432				-	15410.00 6988.44	16260.00 7373.91	17100.00 7754.85
62 1550	1	14' 1" 4.293	28' 1" 8.560	-	-	70.50 1791	79.00 2007	10.00 254	6530.00 2970.00	10100.00 4590.00	-	-
	2	8' 5" 2.564	15' 6" 4.723	22' 6" 6.857	29' 6" 8.991				8440.00 3830.00	10250.00 4650.00	12040.00 5470.00	13820.00 6270.00
	3	7' 6" 2.283	12' 2" 3.706	16' 10" 5.128	21' 6" 6.551				11570.00 5250.00	12760.00 5790.00	13950.00 6330.00	15140.00 6870.00
	4	-	11' 2 - 7/8" 3.425	14' 8 - 7/8" 4.492	18' 2 - 7/8" 5.559				-	15890.00 7210.00	16780.00 7610.00	17680.00 8020.00

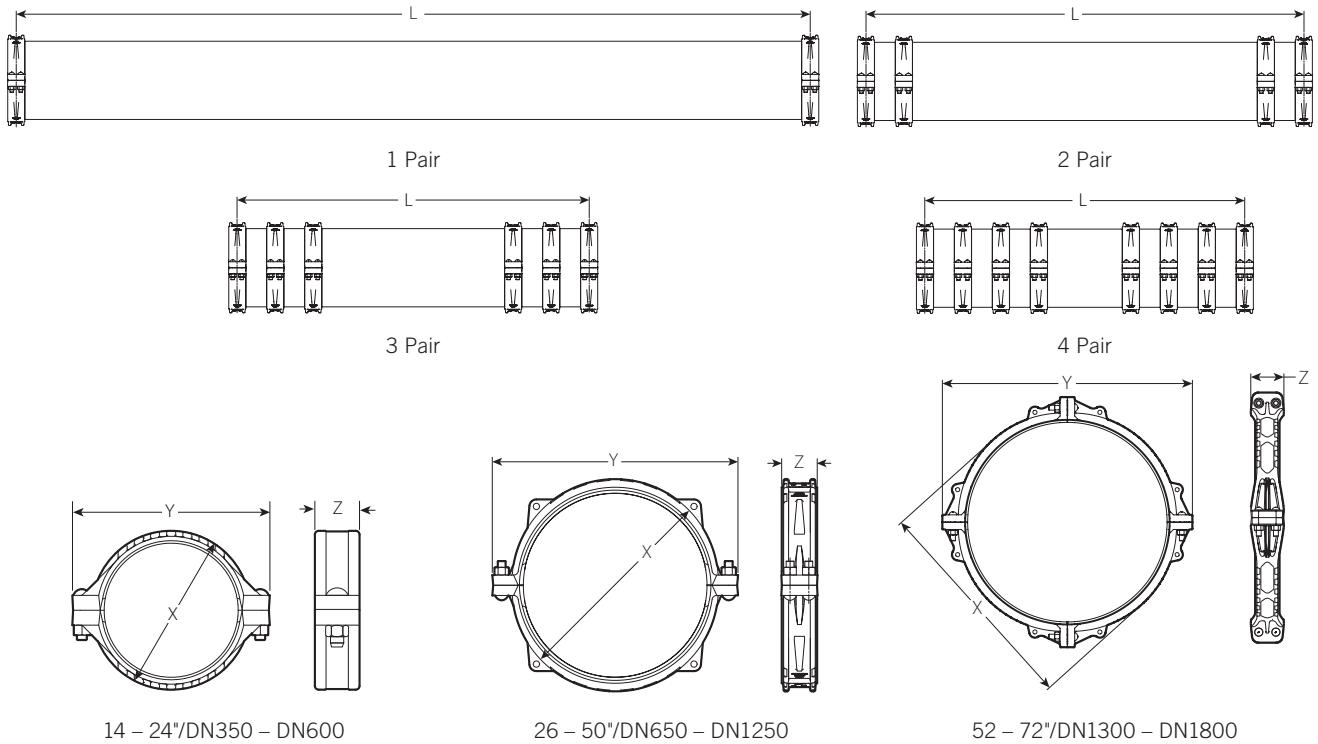
² The actual length of assemblies can vary up to + 2 1/2" depending upon configuration

³ Based upon proprietary manufacturing and component dimensional tolerances, calculated lengths of Style W257 products will differ from published coupling values.

NOTE

- For pipe size and movement requirements beyond the published offerings, contact Victaulic for additional information.

4.0 DIMENSIONS (CONTINUED)



Nominal Pipe Size inches DN	# Pairs	Nominal Overall Length (L) ^{2,3}				Dimensions			Approximate Weight			
		1" Sett. feet meters	2" Sett. feet meters	3" Sett. feet meters	4" Sett. feet meters	X inches mm	Y inches mm	Z inches mm	1" Sett. lb kg	2" Sett. lb kg	3" Sett. lb kg	4" Sett. lb kg
64 1600	1	14' 6" 4.420	29' 0" 8.840	-	-	72.50 1842	81.00 2057	10.00 254	6680.00 3030.00	10380.00 4710.00	-	-
	2	8' 8" 2.641	15' 11" 4.850	23' 1" 7.035	30' 4" 9.245				8610.00 3910.00	10460.00 4750.00	12290.00 5580.00	14130.00 6410.00
	3	7' 8" 2.334	12' 6" 3.807	17' 3" 5.255	22' 1" 6.728				11770.00 5340.00	13000.00 5900.00	14210.00 6450.00	15440.00 7010.00
	4	-	11' 4 - 7/8" 3.476	15' 0 - 7/8" 4.593	18' 7 - 7/8" 5.686				-	16130.00 7320.00	17070.00 7750.00	17980.00 8160.00
70 1750	1	15' 11" 4.852	31' 10" 9.703	-	-	79.00 2007	88.00 2235	10.25 260	8090.00 3668.82	12660.00 5741.31	-	-
	2	9' 5" 2.869	17' 4" 5.282	25' 4" 7.721	33' 3" 10.134				10230.00 4639.31	12500.00 5668.75	14800.00 6711.80	17070.00 7741.25
	3	8' 1" 2.461	13' 5" 4.087	18' 9" 5.712	24' 0" 7.313				13850.00 6280.98	15380.00 6974.83	16910.00 7668.69	18420.00 8353.47
	4	-	12' 1 - 7/8" 3.704	16' 1 - 7/8" 4.924	20' 1 - 7/8" 6.143				-	19020.00 8625.57	20170.00 9147.10	21320.00 9668.62
72 1800	1	16' 6" 5.030	32' 11" 10.033	-	-	81.00 2057	90.00 2286	10.50 267	8260.00 3750.00	12970.00 5890.00	-	-
	2	9' 8" 2.945	17' 11" 5.460	26' 1" 7.949	34' 4" 10.464				10300.00 4680.00	12670.00 5750.00	15010.00 6810.00	17380.00 7890.00
	3	8' 4" 2.537	13' 10" 4.214	19' 3" 5.865	24' 9" 7.541				13920.00 6320.00	15500.00 7030.00	17050.00 7740.00	18630.00 8450.00
	4	-	12' 4 - 7/8" 3.781	16' 6 - 7/8" 5.051	20' 7 - 7/8" 6.295				-	19090.00 8660.00	20290.00 9210.00	21460.00 9740.00

² The actual length of assemblies can vary up to + 2 1/2" depending upon configuration

³ Based upon proprietary manufacturing and component dimensional tolerances, calculated lengths of Style W257 products will differ from published coupling values.

NOTE

- For pipe size and movement requirements beyond the published offerings, contact Victaulic for additional information.

5.0 PERFORMANCE

For performance data reference [publication 20.03](#): Victaulic® AGS Flexible Coupling Style W77.

6.0 NOTIFICATIONS

NOTE

- For 50" and larger sizes: Victaulic will provide two Vic-Ring adapters to be welded on to the ends of the customer supplied mating pipe. Please see [publication 16.12](#) for additional information.

WARNING

- **When grooving pipe for use with AGS (Advance Groove System) products, Victaulic roll grooving tools must be equipped with AGS roll sets (RW for steel or RWX for stainless steel).**
- **RWX grooving rolls are identified by a silver color and the designation "RWX" on the front of the roll sets.**
- **Victaulic AGS products MUST NOT be installed on pipe that is prepared with Change to: OGS (Original Groove System) roll sets.**
- **To ensure proper pipe end preparation refer to [publication 25.09](#) for AGS roll groove pipe specifications.**

Failure to follow these instructions will cause grooves that are not within Victaulic AGS specifications, resulting in joint failure, serious personal injury, and property damage.

7.0 REFERENCE MATERIALS

[02.06: Potable Water Approvals](#)

[05.01: Seal Selection Guide](#)

[10.01: Regulatory Approval Reference Guide](#)

[16.12: Style W77 AGS Vic-Ring Systems](#)

[20.03: Style W77 AGS Coupling](#)

[29.01: Terms and Conditions/Warranty](#)

[I-W07/W77: AGS Installation](#)

[IT-W257: Style W257 Installation Tag](#)

User Responsibility for Product Selection and Suitability

Each user bears final responsibility for making a determination as to the suitability of Victaulic products for a particular end-use application, in accordance with industry standards and project specifications, and the applicable building codes and related regulations as well as Victaulic performance, maintenance, safety, and warning instructions. Nothing in this or any other document, nor any verbal recommendation, advice, or opinion from any Victaulic employee, shall be deemed to alter, vary, supersede, or waive any provision of Victaulic Company's standard conditions of sale, installation guide, or this disclaimer.

Intellectual Property Rights

No statement contained herein concerning a possible or suggested use of any material, product, service, or design is intended, or should be construed, to grant any license under any patent or other intellectual property right of Victaulic or any of its subsidiaries or affiliates covering such use or design, or as a recommendation for the use of such material, product, service, or design in the infringement of any patent or other intellectual property right. The terms "Patented" or "Patent Pending" refer to design or utility patents or patent applications for articles and/or methods of use in the United States and/or other countries.

Note

This product shall be manufactured by Victaulic or to Victaulic specifications. All products to be installed in accordance with current Victaulic installation/assembly instructions. Victaulic reserves the right to change product specifications, designs and standard equipment without notice and without incurring obligations.

Installation

Reference should always be made to the Victaulic installation handbook or installation instructions of the product you are installing. Handbooks are included with each shipment of Victaulic products, providing complete installation and assembly data, and are available in PDF format on our website at www.victaulic.com.

Warranty

Refer to the Warranty section of the current Price List or contact Victaulic for details.

Trademarks

Victaulic and all other Victaulic marks are the trademarks or registered trademarks of Victaulic Company, and/or its affiliated entities, in the U.S. and/or other countries.
