

RC DRILLING CONSUMABLES

DTH Hammers
Drill bits
Chuck nuts
Drill rods
Adaptors



RC DRILLING TOOLS

RC HAMMERS. TECHNICAL SPECIFICATION

Recommended bits diameter, mm	121...133
Hammer outer diameter, mm	116
Length, mm	1187
Shank type	MR116
Thread connection	4" Metzke 4,5" Metzke 4" Remet 4,5" Remet
The minimum recommended operating air pressure, bar	24
Minimum recommended air consumption, m ³ /min.	25

RC Hammer

Description	Part. №	Thread connection type	Weight, kg
DMM4-MR116 Metzke	MH 872.00	4" Metzke	74
DMM4-MR116 Metzke (carbide coated cylinder)	MH 872.00-01	4" Metzke	74
DMM4-MR116 Remet	MH 1470.00	4" Remet	74
DMM4,5-MR116	MH 872.00-04	4,5" Metzke	74
DMM4,5-MR116 Metzke (carbide coated cylinder)	MH 872.00-05	4,5" Metzke	74
DMM4,5-MR116 Remet	MH 1471.00	4,5" Remet	74

RC DRILL BITS

Description	Diameter, mm	Outer inclination angle, °	Carbide Buttons			Number of flash holes	Lenght, mm	Weight, kg	
			Outer.	Attacking					
KNSH-121 MR116 MH 1453.00	121	35	8xØ16	6xØ14	3xØ12	2	317	13,8	
KNSH-124 MR116 MH 864.00	124							14,0	
KNSH-124 RC108 MH 899.00	124							301	11,4
KNSH-127 MR116 MH 865.00	127							317	14,1
KNSH-130 MR116 MH 1452.00	130								14,3
KNSH-133 MR116 MH 1451.00	133								14,7
KNSH-136 MR116 MH 1454.00	136							4xØ12	14,7
KNSH-140 MR116 MH 1455.00	140							4xØ12	14,6

TEST RESULTS FOR RC DRILL BITS

Open pit gold deposit, Kazakhstan. Hardness (Mohs scale): 5 - 6

Nº	Drill bit	Qua. of bits tested, units	Drilled in total, m	Average durability, m
1	Drill Bit KNSH-127 MR116 MH 865.00 Machine-Building Holding JSC	2	3 176,0	1 588,0
2	Drill Bit 127 mm by famous European brand	2	2 862,0	1 431,0

Open pit gold deposit, Kazakhstan. Hardness (Mohs scale): 7 - 8

1	Drill Bit KNSH-124 RC108 MH 899.00 Machine-Building Holding JSC	2	597,0	298,0
2	Drill Bit 123 mm by famous Australian brand	2	525,0	262,0

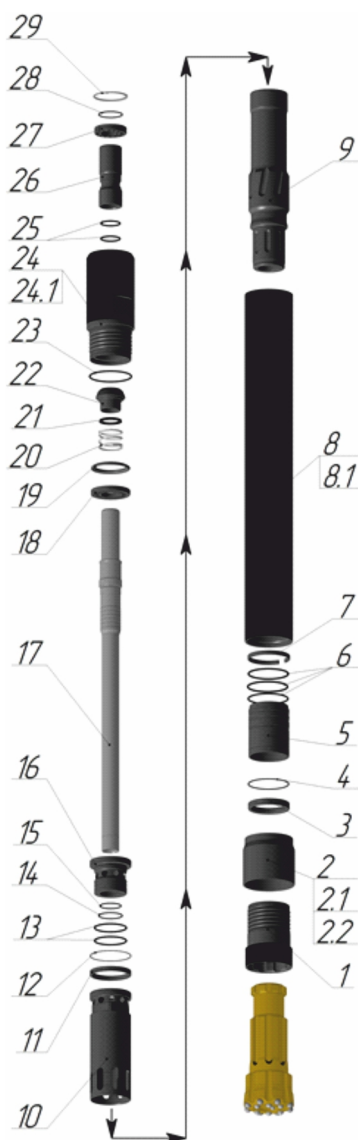
Open pit gold deposit, Russia. Hardness (Mohs scale): 7 - 8

1	Drill Bit KNSH-124 MR116 MH 864.00 Machine-Building Holding JSC	10	2 949,0	294,9
2	Drill Bit 124 mm by famous European brand	10	2 500,0	250,0
3	Drill Bit KNSH-127 MR116 MH 865.00 Machine-Building Holding JSC	10	2 943,0	294,3
4	Drill Bit 127 mm by famous European brand	10	2 500,0	250,0

REPAIR KIT

Description	Spare parts in repair kit	Part. №	Weight, kg
Repair Kit for Hammer DMM4-MR116	1, 4, 6, 8, 12, 13, 14, 15, 20, 21, 22, 23,	MH 872.60	33
	24, 21, 23, 25, 28, 29		
Repair Kit for Hammer DMM4,5-MR116 (carbide coated cylinder)		MH 872.60-04	33
Rings Kit for DMM4-MR116 и DMM4,5-MR116	4,6, 12, 13, 14, 15, 20, 21, 23, 25, 28, 29	MH 872.70	0,5

SPARE PARTS LIST



Nº	Description	Weight, kg	Part Nº
1	Drive sub	2,78	MH 872.01
2	Chuck nut D126	2,16	MH 872.02
2.1	Chuck nut D123	1,67	MH 872.02-01
2.2	Chuck nut D121	1,36	MH 872.02-02
3	Circlip	0,28	MH 872.03
4	O-ring		
5	Guide bush	1,97	MH 872.04
6	O-ring		
7	Spring ring	0,09	MH 872.05
8	Cylinder	18,84	MH 872.16
8.1	Cylinder (carbide coated)	18,9	MH 872.16-01
9	Piston	14,81	MH 872.06
10	Top cylinder	2,38	MH 872.07
11	Top cylinder O-ring	0,13	MH 872.08
12	O-ring		
13	O-ring		
14	O-ring		
15	O-ring		
16	Tube guide	1,24	MH 872.09
17	Inner tube	3,9	MH 872.20-01
18	Spacer separator	0,39	MH 872.12
19	Spacer buffer	0,13	MH 872.11
20	Spring	0,06	MH 872.18
21	Cuff		
22	Check valve	0,38	MH 872.13
23	O-ring		
24	Top adaptor (Metzke 4")	10,2	MH 872.15
24.1	Top adaptor (Metzke 4,5")	10,1	MH 872.15-01
25	O-ring		
26	Connection tube	1,35	MH 872.17
27	Air screen	0,22	MH 872.14
28	O-ring		
29	Circlip		

AUXILIARY PRODUCTS

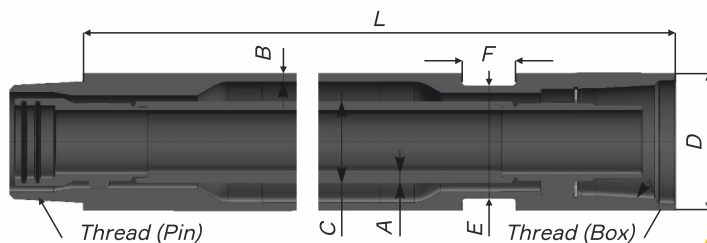
Inner Tube MH 872.20-01
Chuck D121 MH 872.02-02

Chuck D123 MH 872.02-01
Chuck D126 MH 872.02

TEST RESULTS FOR CHUCKS AND INNER TUBES

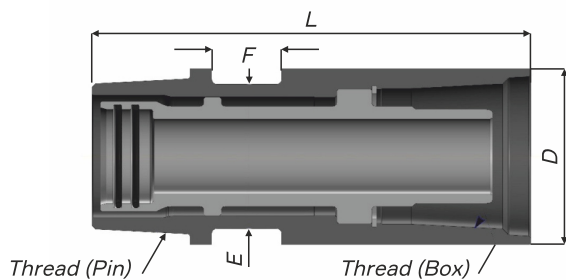
Open pit gold deposit, Russia. Hardness (Mohs scale): 7 - 8

Nº	Description	Qua/ units	Average durability, m
1	Chuck Nut D121 mm MH 872-02-02 Machine-Building Holding JSC	10	274,5
2	Chuck Nut D121 mm by famous European brand	10	250,0
3	Chuck Nut D123 mm MH 872-02-01 Machine-Building Holding JSC	5	297,6
4	Chuck Nut D123 mm by famous European brand	5	250,0
5	Chuck Nut D126 mm MH872-02 Machine-Building Holding JSC	5	286,2
6	Chuck Nut D126 mm by famous European brand	5	250,0
7	Inner Tube MH 872.20-01 Machine-Building Holding JSC	5	952,0
8	Inner Tube by famous European brand	5	800,0



RC RODS

Description	Part. Nº	Dimensions				Thread	Inner tube assembled
		D/B, mm	C/A, mm	L, mm	E/F, mm		
RC-D102x3000xM4	MX 1620.00	102/6,5	60/6,5	3 000	83/40	4" Metzke	MH 1620.10
RC-D114x3000xM4,5	MX 1621.01	114/8	68/8	3 000	102/40	4,5" Metzke	MH 1621.10



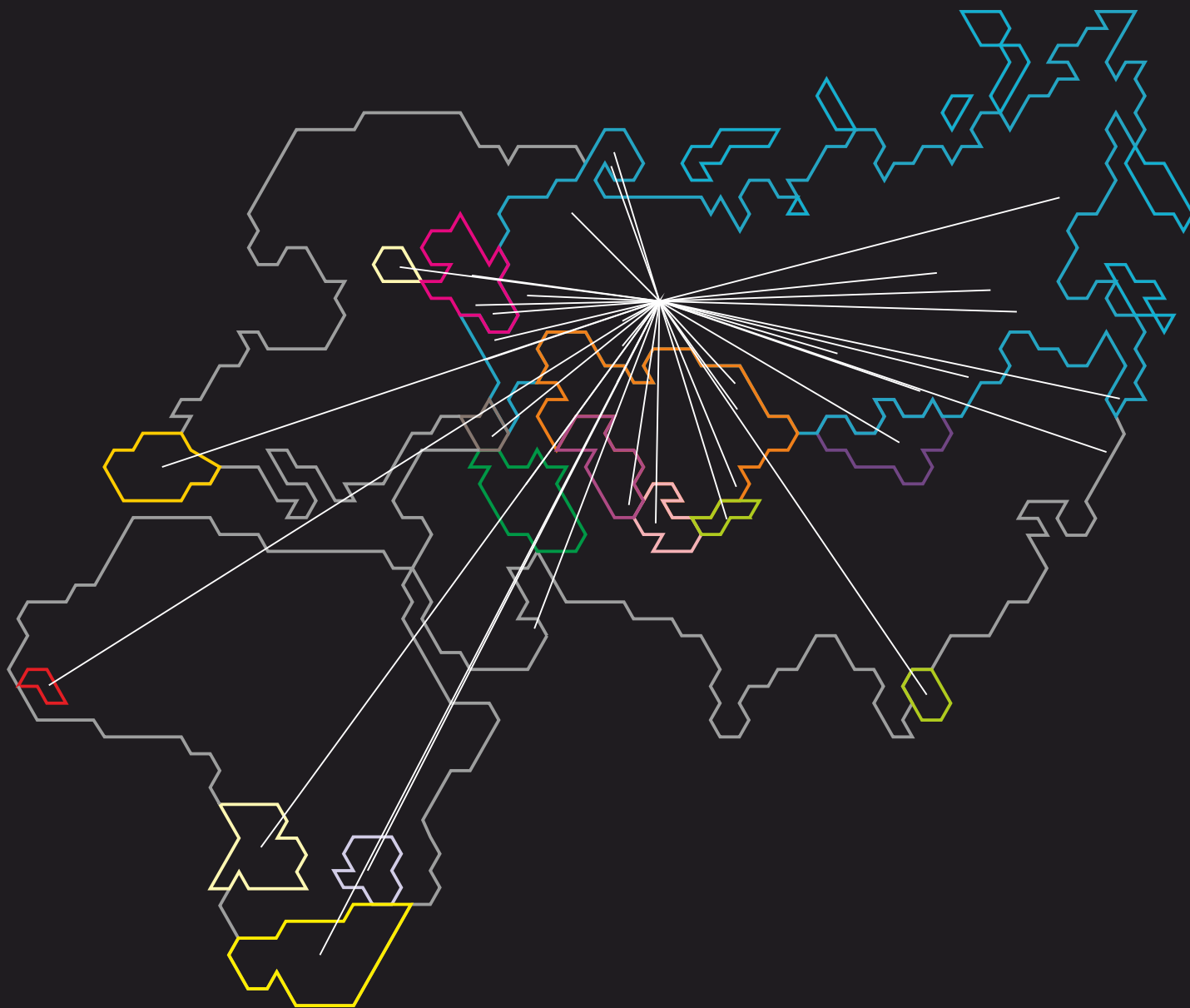
RC ADAPTORS

Description	Part Nº.	Dimensions			Thread	Inner tube assembled
		D, mm	L, mm	E/F, mm		
Adaptor D117xDR102(P) x Metzke 41/2(B)	MH 1732.00	117	122	105/50	4" Metzke	MH 1732.10
Adaptor D102 x DR 102(B) x Metzke 4(P)	MH 1735.00	102	181	83/40	DR 102	MH 1735.02
Adaptor D102 x Metzke 4(B) x Metzke 4(P)	MH 1736.00	103	195	83/40	Metzke 4"	MH 1736.02

Machine-Building Holding JSC was founded in 2004
in Yekaterinburg, Russia.

Nowadays we are the leading Russian manufacturer of drilling
consumables and equipment for both open pit and underground
mining.

MBH rock tools show high performance characteristics on mining
sites all over the world and help our customers to improve the
efficient drilling efficient and reduce drilling costs.



1 Simskaya st., Yekaterinburg,
Russia, 620024

tel.: +7 (343) 295-85-80, (84)

e-mail: eem@mash-hold.ru

www.mash-hold.ru

