



 BEKABULK

BEKA Schröder
Experts in lightability™



BEKABULK LED 18W



BEKABULK with wireguard



APPLICATIONS

- Industrial lighting
- Public buildings
- Utility applications

KEY ADVANTAGES

- Operating temperature (T_a): -20°C to $+40^{\circ}\text{C}$
- Minimum 60 000hrs lifetime
- Effective high-power LEDs, 4000K^(*) at a colour rendering index >70
- Ingress protection - IP 65
- Corrosion-resistant high-pressure die-cast aluminium
- Injection-moulded high-impact acrylic diffuser
- Powerful lumen package of up to 2 400 lumen
- Available in Emergency version
- Available in Zone 2, 21 and 22 versions

CONSTRUCTION DETAILS

The luminaire consists of a high-pressure die-cast aluminium body and a structured clear high impact acrylic diffuser. It is rectangular in shape and is designed to operate LEDs up to 18W.

SABS MARKS

The luminaire bears the SANS 60598-2-1 safety mark.

INGRESS PROTECTION

The luminaire has a degree of protection that complies with SANS 60598-2-1.

Lamp compartment: IP 65

The IP rating is certified by an SABS test report.

BODY

- The body is manufactured from high-pressure die-cast aluminium, powder coated in the colour specified for added protection.

- It is suitable for surface mounting and allows for surface conduits to enter.
- A silicone sponge gasket is fitted into a groove in the body.
- Mounting holes, complete with nylon washers, can be provided on request.
- It is supplied with mounting lugs.

DIFFUSER

- The diffuser is manufactured from injection-moulded, high-impact, non-discolouring acrylic.
- It is structured on the inside and smooth on the outside.
- The diffuser is held to the body by four captive stainless steel Allen head screws.
- A tongue arrangement provided on the diffuser ensures the integrity of the IP rating.

GEARTRAY

- The geartray is manufactured from 1.6mm galvanised and passivated steel, powder coated white to prevent corrosion and improve reflectance.
- It can be removed by merely loosening two screws.

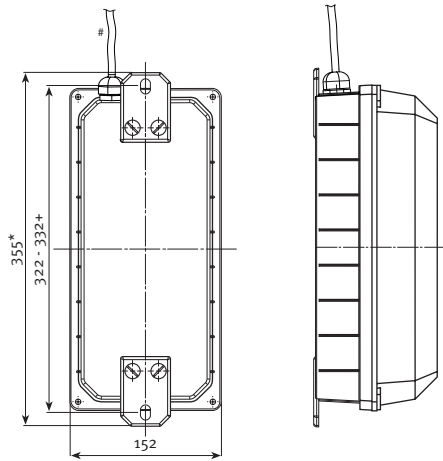
ELECTRICAL COMPONENTS

- All electrical components and lamp holders are mounted on the geartray.
- It is suitable for operation with the specified rating of the lamp on a 230V $+3\%/-10\%$ 50Hz single phase system.
- All control gear components are removable and bear the relevant SABS mark.
- All screws, bolts and metal parts are stainless steel or non-corrosive material.
- Mains connections are by means of a suitable screw terminal block with a wire clamping contact.
- The luminaire is power factor corrected to $\geq 0,9$.

^(*) Correlated colour temperature (CCT)

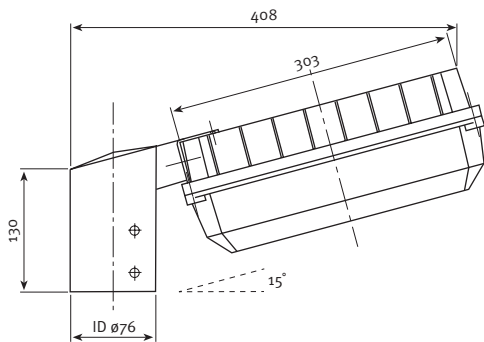
DIMENSIONS IN MM

Rear view

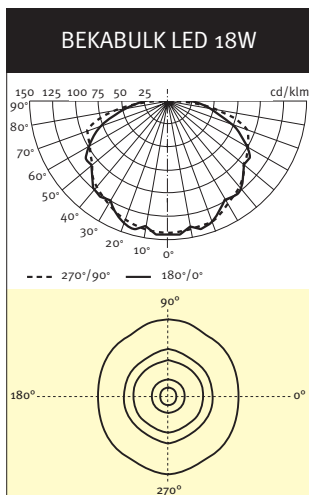


- * Overall dimension including mounting lugs
- + Distance of centre hole
- # Provided with 500mm cabtyre

Bottom entry mounting



LIGHT DISTRIBUTIONS



Electronic data files can be downloaded from www.beka-schreder.co.za/knowledge-base

ORDERING DATA

DESCRIPTION	LUMEN ⁽¹⁾	MASS (KG)
BEKABULK LED 18W	2 400	2
EMERGENCY VERSION		
EM-BEKABULK LED 18W/2W(EM) 1hr ST	2400/300 (EM)	2.2
ZONE 2 VERSION		
Z2 BEKABULK LED 18W	2 400	2
ZONE 21/22 VERSION		
Z21/22 BEKABULK LED 18W	2400	2

Standard colour: Telegrey 1 (RAL 7045), Textured finish

Standard CCT: Neutral white (4000K)

⁽¹⁾ The type of LED used is subject to change due to the ongoing rapid progress taking place in LED technology.

OPTIONS AND ACCESSORIES

MECHANICAL	
Mounting	Bottom entry ø76mm
Colour	Other RAL colour, Matt finish
	Other RAL colour, Brilliant finish
	Other RAL colour, Textured finish
Extras	Eyelid
	Stainless steel helicoil inserts
	Pre-drilled holes for surface conduit
	Wireguard, hot-dipped galvanised steel
	Wireguard, stainless steel

BEKA Schröder (Pty) Ltd - South Africa
Manufacturers of Luminaires and Glass Fibre Poles

10/18

BEKA Schröder
Experts in lightability™

BEKA Schröder (Pty) Ltd | 13 West View Road | P.O. Box 120 | Olifantsfontein | 1665 | South Africa
T: +27 11 238 0000 | F: +27 11 238 0180
info@beka-schreder.co.za | www.beka-schreder.co.za

