

**SUNWARD**

Stock code: 002097



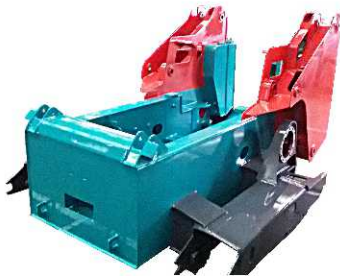
SWL/SWTL Series  
**Skid Steer Loader**



SWL/SWTL skid steer loader is SUNWARD new generation of compact multi-function construction machine, which combines technology of mechanic, electrical, hydraulic. Each performance index reaches international advanced level. Its main features include compact structure, flexible performance, convenient operation, high efficiency, multifunction and easy maintenance. It's particularly suitable for urban infrastructure, construction of road and building, workshop, warehouse, dock, ship deck and narrow space like vessel cabin or other places require frequently transformation of working content. By changing work attachment, Skid steer loader can execute various task such as loading, lifting, digging, boring, breaking, Grapping, earth loosening, road cleaning and pavement works.



### • Innovative Monolithic Structure



- ◆ Fuel tank and chassis was designed as a integral structure that makes machine more compact and durable.
- ◆ Rectangular steel tube structure of boom, good rigidity and high strength.

### • Closed Static Hydraulic Traveling System



- ◆ Static hydraulic traveling system, equipped by advanced anti-overloading hydraulic device, large-torque motor, big driving force, with self-brake function, safe and reliable.

### • Original Imported Engine



- ◆ Customized engine from origin import, strong power, high reliability, low noise, environment friendly, meets emission standard of different regions.



### • Higher Lifting Height



- ◆ Optimized structure designation enable machine to have higher lifting height than other brand.

### • Unique Vertical Lifting Working Unit



- ◆ Unique vertical lifting working unit, which contains bigger lifting capacity, higher lifting height and longer discharge distance.

### • Auto-leveling System

- ◆ Standard hydraulic horizontally, lift the movable boom ensure invariant bucket angle with the ground, to prevent falling material, reduce the labor intensity of the operating personnel.





### ● Pilot Handle Operation

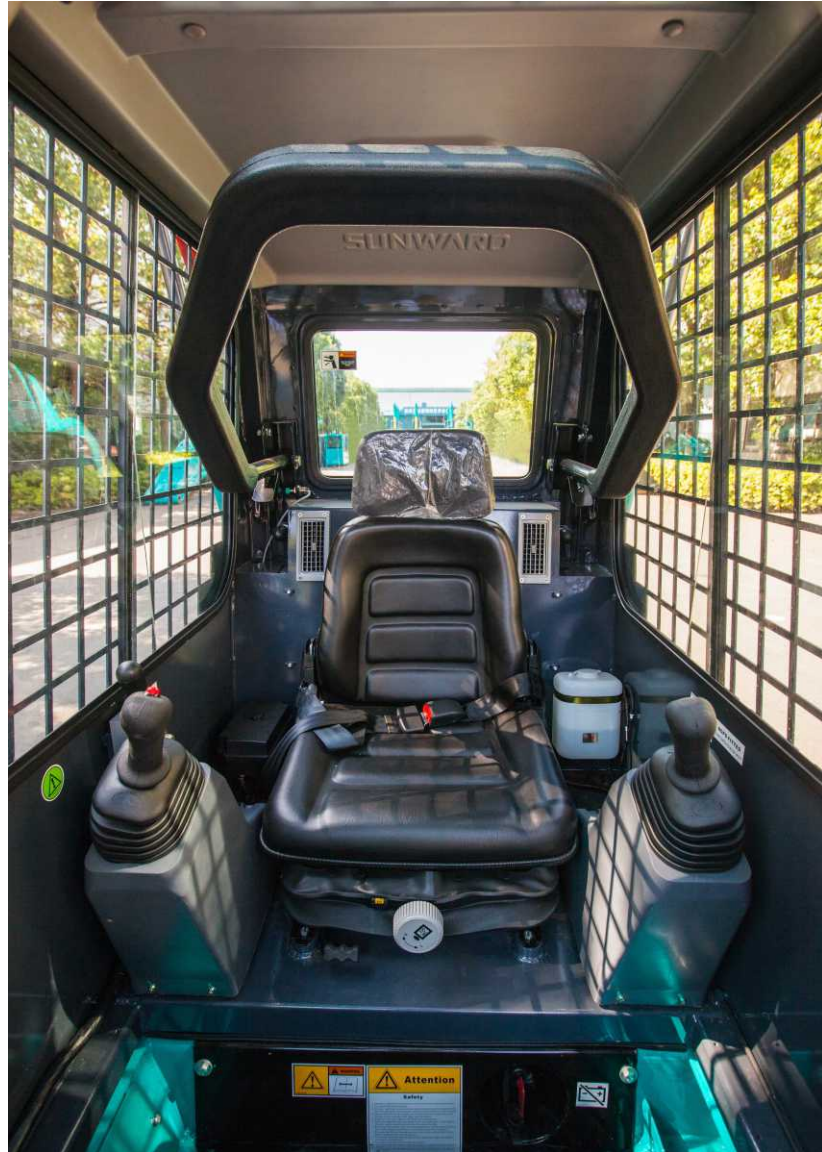
- ◆ Proportional control pilot joystick operation, simple, labor saving, agile.

### ● Double Accelerator Control

- ◆ Adapt double accelerator control, hand accelerator for constant power in workplace, pedal accelerator for bucket loading.



- ◆ Wide space and good vision, easy in and out, all of button and switch is reachable.
- ◆ Equipped with heater and air conditioning, choose appropriate configuration depending on different regions.



- ◆ Conform to FOPS/ROPS standard cab structure

- ◆ Three-level electric starting protection system

- ◆ Complete warning beacon, warning signal and reverse horn

- ◆ Working unit urgency declining function

- ◆ Rear window detachable



- Open the rear cover door by 90°

- Turn up 60° cover plate of engine

- 30° front tilting cab

- Radiator tank 60° opened



- ◆ Convenient maintain and reach to every repairing position



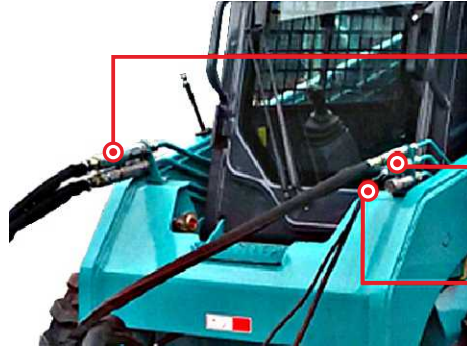
- ◆ Safety lever locked when lifts boom, cab, cover plate to a max position



### Standard quick coupler



Adapt to international common quick coupler, fast change various kinds attachment. Majority of attachments can be used in Sunward skid steer loader.



High flow

Normal flow

Electric control

- High flow system is optional. Skid steer loader enlarge flow rate by interflow of two pumps, which meets lots of attachment required by high flow, like cold planer etc.



Snow Blower



Cold Planer



Ditcher



Compact



Mixer



Auger



Breaker



4 in 1 bucket



Delver



Snow Blade



Earthquake relief in Wenchuan



In Europe



Working in Iran



Sweeping in Beijing



Working in Hungary



Construction in Russia



Breaking in Belgium



Working in Italy



In U.S.A

### STANDARD CONFIGURATION

- Standard quick coupler, standard bucket, with safety handrail, adjustable seat, centralized display panel, auto-levelling, ordinary flow, front working lights, warning light, reversing warning, horn, double accelero-control, etc.

### OPTIONAL CONFIGURATION

- High flow systems, cabin, air conditioning, external power supply, counterweight, attachments electronic control system, rear working lights, High-back mechanical suspension seat, etc.

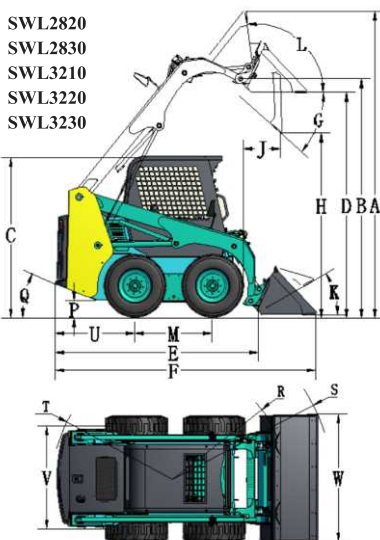
### ATTACHMENTS

- Bucket, 4 in 1 bucket, fork, manure fork, rod string, sieve shovel, deicer, pushing snow blade, simple delver, grasping wooden bucket, dozer blade, hydraulic breaker, bevel cleaner, closed cleaner, ditch digger, snow blower, blender, auger, planer, vibratory road, weed extractor, disc trencher, move the tree cutter, hedge trimmer, wrecker, rotary cultivator, hundreds of optional attachments etc.

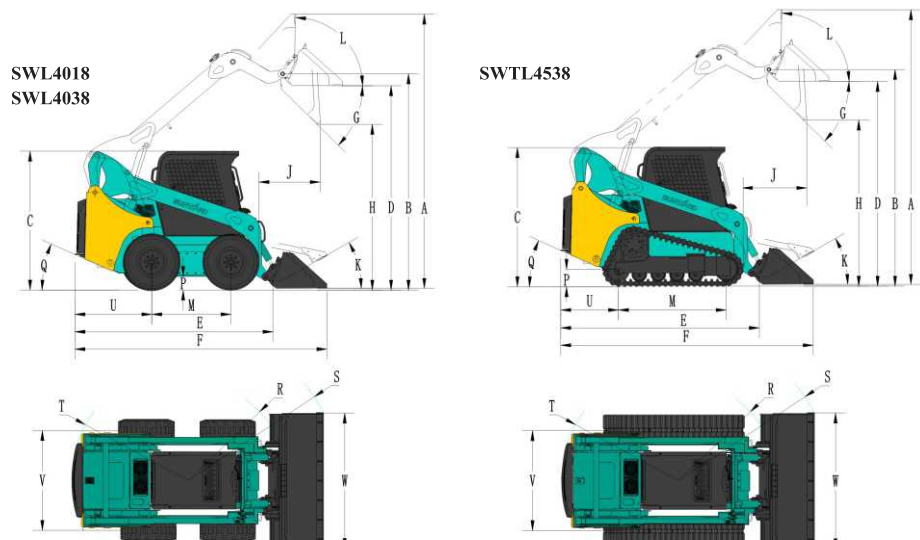
## SWL/SWTL Skid Steer Loader Series Product Size Parameters

Datas		Model	SWL2820	SWL2830	SWL3210	SWL3220	SWL3230	SWL4018	SWL4038	SWTL4538	
Dimension(L×B×H)		mm	3318×1600×2014	3318×1600×2014	3727×1830×2068	3727×1830×2068	3727×1830×2068	3750×2015×2068	3750×2015×2068	3750×2015×2071	
OPERATING PARAMETERS	A	Max. operating altitude	mm	3850	3850	4020	4020	4020	4079	4079	4079
	B	Height to bucket hinge pin	mm	3002	3002	3123	3123	3123	3222	3222	3222
	C	Height to top of cab	mm	2014	2014	2068	2068	2068	2068	2068	2071
	D	Height to bottom of level bucket	mm	2834	2834	2948	2948	2948	3044	3044	3044
	E	Overall length without attachment	mm	2604	2604	2958	2958	2958	2969	2969	2969
	F	Overall length with standard bucket	mm	3318	3318	3727	3727	3727	3750	3750	3750
	G	Dump angle at full height	°	42	42	43	43	43	44	44	44
	H	Dumping height	mm	2320	2320	2395	2395	2395	2467	2467	2467
	J	Dumping reach	mm	475	475	625	625	625	864	864	891
	K	Rollback at ground	°	30	30	30	30	30	30	30	30
	L	Rollback angle at full height	°	97	97	93	93	93	89	89	89
	M	Wheelbase (Crawlar base)	mm	987	987	1148	1148	1148	1180	1180	1600
	P	Ground clearance	mm	220	220	205	205	205	205	205	228
	Q	Angle of departure	°	25	25	26	26	26	28	28	34
	R	Without the attachments before turning radius	mm	1235	1235	1344	1344	1344	1357	1357	1368
	S	Before turning radius	mm	1953	1953	2201	2201	2201	2253	2253	2253
	T	After turning radius	mm	1531	1531	1747	1747	1747	1744	1744	1744
	U	Tail length	mm	1021	1021	1170	1170	1170	1142	1142	855
V	Wheel spacing (Track gauge)	mm	1293	1293	1475	1475	1475	1485	1485	1500	
W	Bucket width	mm	1600	1600	1830	1830	1830	2015	2015	2015	

### SWL Series



### SWTL Series

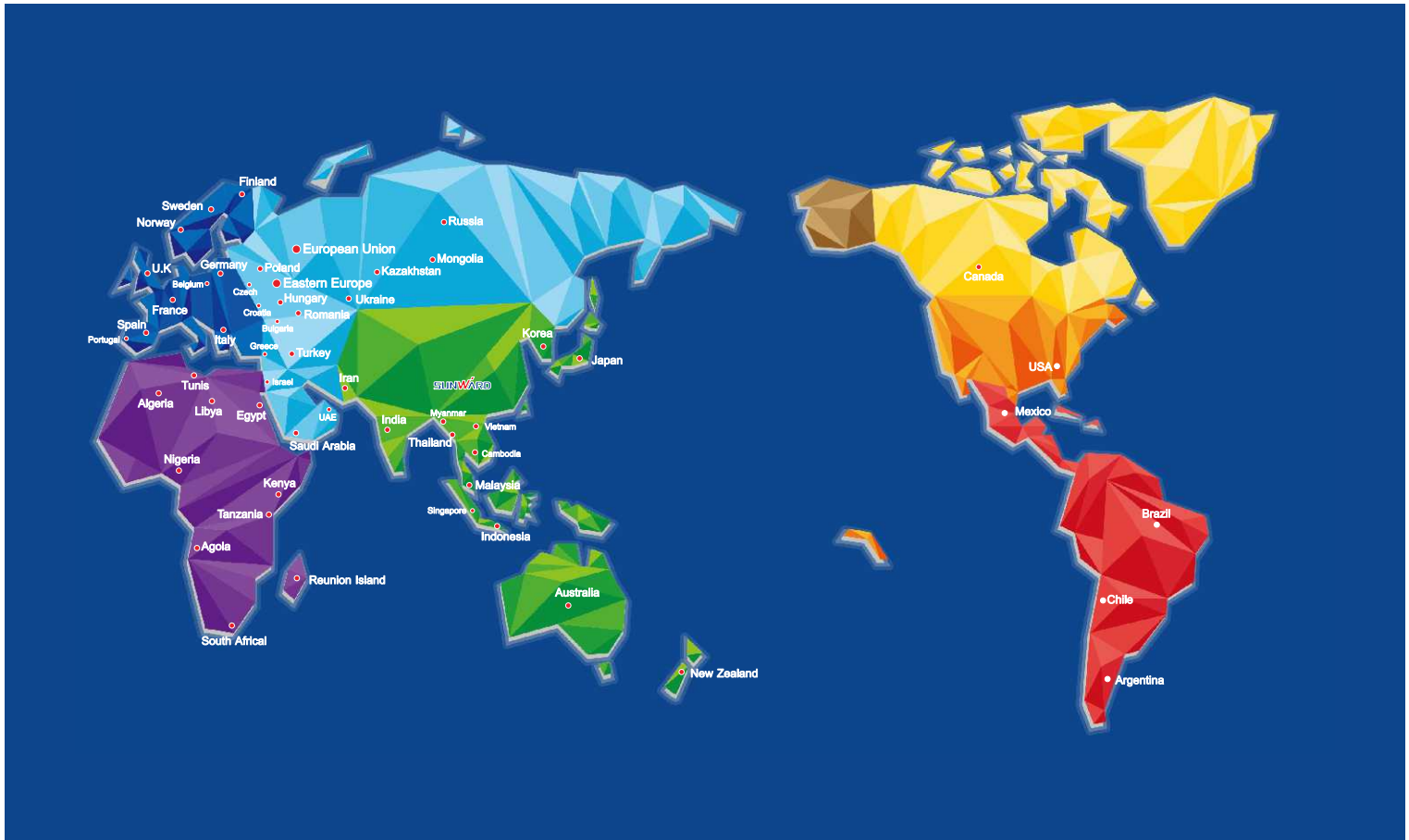




# SWL/SWTL *Skid Steer Loader*



# Worldwide Network for Sales and Service



## Asia

Comodia  
 India  
 Indonesia  
 Iran  
 Japan  
 Korea  
 Malaysia  
 Mongolia  
 Myanmar  
 Saudi Arabia  
 Singapore  
 Thailand  
 U.A.E  
 Vietnam

## Europe

European Union  
 Eastern Europe  
 Russia  
 Turkey  
 Ukraine

## America

Argentina  
 Brazil  
 Canada  
 Chile  
 Mexico  
 U.S.A

## Oceania

Australia  
 New Zealand

## Africa

Algeria  
 Egypt  
 Libya  
 Reunion Island  
 South Africa  
 Tanzania  
 Tunis

## CIS

Five Countries of Central Asia  
 Kazakhstan  
 Russia  
 Turkmenistan  
 Ukraine  
  
 The Republic of Azerbaijan  
 The Republic of Belarus  
 The Republic of Kyrgyz  
 The Republic of Tajikistan  
 The Republic of Uzbekistan

## **SUNWARD INTELLIGENT EQUIPMENT CO., LTD.**

Add: Sunward Intelligent Industrial Park, Xingsha, Changsha, 410100, China.

Tel: (0086-731)83572828

E-mail: [international@sunward.com.cn](mailto:international@sunward.com.cn)

Web: [www.sunward.com.cn](http://www.sunward.com.cn)

Please read the manual book and maintenance book before operation, changes are periodically added to the information, and Sunward may change the products or services described in this book at any time without announcement. All rights of this manual book reserve to Sunward. SUNWARD Internal Use Only

SWL&SWTL EN 2019