

# Labtech Hebro Limitada



CHILE  
Labtech Hebro Ltda.  
Tel: (56) 2 2331 2000  
[info@hebrolab.cl](mailto:info@hebrolab.cl)  
[www.labtechhebro.cl](http://www.labtechhebro.cl)



ARGENTINA  
TecProMin Argentina S.A.  
Tel/Fax: (54-11) 4890-2068  
[info@tecpromin.com.ar](mailto:info@tecpromin.com.ar)



MEXICO  
EQUILABTECH S.A. de C.V.  
Tel: (52-81) 8233-1014  
[avazquez@equilabtech.com](mailto:avazquez@equilabtech.com)



BOLIVIA  
Compañía Técnica y Comercial S.R.I  
Tel: (591-2) 243-1012  
[comte@entelnet.bo](mailto:comte@entelnet.bo)



PERU  
GOLDEX S.A.  
Tel: (51-1) 224-2193  
[ventas@goldex.com.pe](mailto:ventas@goldex.com.pe)



COLOMBIA  
INCOEX  
Tel: (57-4) 331-9225  
[incoex@une.net.co](mailto:incoex@une.net.co)

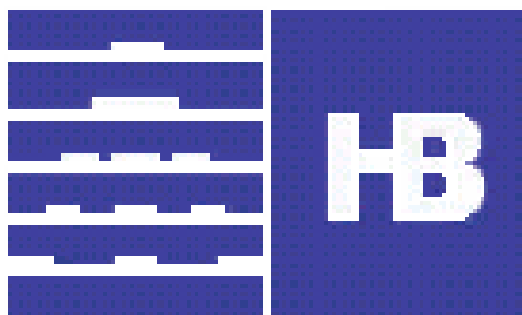


VENEZUELA  
ANALIX C.A.  
Tel: (58-212) 552-7446  
[analix@analix.net](mailto:analix@analix.net)



---

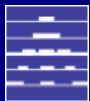
# Labtech Hebro Ltda.



LÍDER EN EQUIPOS Y  
ACCESORIOS PARA  
EL MUESTREO &  
PREPARACIÓN DE  
MUESTRAS

---

Labtech Hebro Ltda.  
Paula Jaraquemada 1553, Renca  
Santiago, Chile  
Fono : (56) 2 2331 2000  
Fax : (56) 2 2208 9569  
e-mail : [ventas@hebrolab.cl](mailto:ventas@hebrolab.cl) / [ventas1@hebrolab.cl](mailto:ventas1@hebrolab.cl)



# Labtech Hebro Ltda.

---



**LABTECH HEBRO LIMITADA**, es una empresa chilena fundada por profesionales con vasta experiencia en minería.

---

Nuestro principal objetivo es satisfacer la creciente demanda de equipos acordes a los protocolos vigentes, tanto para la preparación de muestras y control de calidad, así como también para laboratorios metalúrgicos, químicos del mercado latinoamericano.

---

Para este objetivo contamos con fabricación propia además de ser distribuidores de otros fabricantes.

---

Es así como Labtech Hebro Ltda. cuenta con las siguientes líneas de productos:

- CHANCADORES DE MANDÍBULA, CONO Y RODILLOS
  - MOLINOS PULVERIZADORES
  - MOLINOS DE BOLAS
  - TAMBORES HOMOGENIZADORES
  - DIVISORES ROTATORIOS DE MUESTRA
  - FILTROS DE PRESIÓN PARA PULPAS
  - SISTEMAS COLECTORES DE POLVO
  - HORNOS DE SECADO
  - TAMICES CERTIFICADOS
  - AGITADORES DE TAMICES
  - CUARTEADORES DE MUESTRA
  - CORTADORES DE MUESTRA (CONVENCIONALES Y DE SONDA)
  - BALANZAS HEBRO TIPO MARCY
  - MAQUINAS DE FLOTACIÓN PARA LABORATORIO
  - ACCESORIOS VARIOS:
    - Bandejas Metalúrgicas
    - Palas JIS
    - Pocillos Metalúrgicos (todos fabricados en Acero AISI 304-316)
- 

Todos los equipos fabricados y representados por Labtech Hebro Ltda. cuentan con garantía y servicio técnico propio.

---

Labtech Hebro Ltda.  
Paula Jaraquemada 1553, Renca  
Santiago, Chile  
Fono : (56) 2 2331 2000  
Fax : (56) 2 2208 9569  
e-mail : [ventas@hebrolab.cl](mailto:ventas@hebrolab.cl) / [ventas1@hebrolab.cl](mailto:ventas1@hebrolab.cl)



# Models LM1 & LM1.5

## Laboratory Ring Mills

### Vibratory motor driven mills for rapidly preparing up to 1.8kg of ore or mineral for analysis

The models LM1& LM1.5 are Labtech Essa's reliable and robust adaptation of the traditional vibratory ring mill that incorporate an integral 3 phase vibratory duty electric motor drive. These mills however differ from traditional mills because of their ability to be fitted with a unique 800cc, 1000cc or 2000cc single puck type grinding bowl in addition to any standard size of ring and roller grinding bowl. Details of these grinding bowls are given in a separate data sheet.



The LM1 & LM1.5 mills are used for pulverising ores, minerals, metallurgical samples, ceramics, soils, aggregates, chemicals and similar particulates. Most samples can be ground to 95% minus 75 micron in 1 to 3 minutes depending upon their physical characteristics. These machines are well suited to laboratories mainly using traditional ring and roller bowls but who also want to use the range of higher capacity bowls on an intermittent basis to prepare larger batches of homogeneous sample.

The two models are virtually identical except for the power of the drive motor. The more powerful LM1.5 is recommended when the largest bowls are to be used frequently and/or when the mill is to be connected to a 60 cycle power supply.

#### STANDARD FEATURES:

- Pneumatic bowl clamping.
- 1.1 (LM1) & 1.5 kW (LM1.5) integral electric vibratory motor drive.
- 415 Volt, 50hz, 3 phase power
- Good looking, easy to clean fibreglass cabinet with sound reducing foam lining
- External control box with start & stop push button, motor overload protection, electronic run cycle timer and pneumatic failure protection.
- Lid safety switch de-energises mill when cabinet lid opened

- Integrated Emergency Stop button.

#### OPTIONS:

- Wide choice of bowls (see Ring Mills)
- Manual bowl clamping.
- Other power supply connections.
- MillMate™ pneumatic lifting device for "weightless" handling of the heavier bowls (see Lifters).
- Separate floor mounted stand for control box.

TECHNICAL  
DATA:

Power requirement	415 Volt, 50hz, 3 phase is standard but a full range of 3 phase power connections is available
Clean, dry air service required for pneumatic bowl clamping	450 to 600 Kpa (65 to 90 psi) : 1 litre per minute maximum flow
Space required (approx. only - with lid closed)	Standard machine: 720 mm wide x 600 mm deep footprint x 1000 mm high With optional MillMate™: 860 mm wide x 630 mm deep footprint x 1500 mm high
Shipping mass	180 kg (250 kg with optional MillMate™)

# Laboratory Ring Mill Model LM2

**Vibratory mill for rapidly preparing up to 1.8kg of ore for mineral for analysis (with the extra power of a 2.2kW shaft drive)**

The vibratory head of the model LM2 is driven by a universal shaft powered by vee-belts from a standard, stationary (non-vibrating) 2.2kW electric motor. This drive arrangement delivers more power to the grinding bowl and optimises motor life (because it is not exposed to direct vibration as happens in traditional integral vibratory motor driven mills). The mill also differs from traditional integral vibratory motor driven mills). The mill also differs from traditional mills because of it's ability to be fitted with a unique 800cc, 1000cc or 2000cc single puck type grinding bowl in addition to any standard size of ring and roller grinding bowl.

The LM2 mill is used for pulverising ores, minerals, metallurgical samples, ceramics, soils, aggregates, chemicals and similar particulate. Typically, samples can be ground to 95% minus 75 micron in approximately 3 minutes depending upon their mass and physical characteristics.

The model LM2 is well suited to high volume mineral laboratories regularly preparing large samples in the unique Essa single puck style of bowl or to any laboratory remote from the specialised repair services typically required for integral vibratory motor driven mills.

## Standard Features:

- Pneumatic bowl clamping
- 2.2kW stationary electric motor drive
- 415 Volt, 50hz, 3 phase power
- Good looking, easy to clean fibreglass cabinet with sound reducing foam lining
- External control box with start & stop push button, motor overload protection, electronic run cycle timer and pneumatic failure protection
- Lid safety switch de-energises mill when cabinet lid opened
- Integrated Emergency Stop button

## Options:

- Wide choice of bowls
- Other power supply connections
- MillMate™ pneumatic lifting device for “weightless” handling of the heavier bowls
- Separate floor mounted stand for control box

## Technical Data

Power requirement	415 Volt, 50hz, 3 phase is standard but a full range of 3 phase power requirements available
Clean, dry air service required for pneumatic bowl clamping	450 to 600 Kpa (65 to 90 psi): 1 litre per minute maximum flow
Space required	Standard machine: 720 mm wide x 600 mm deep footprint x 1000 mm high (approx. only - with lid closed)
Shipping Mass	With optional MillMate™: 860 mm wide x 630 mm deep footprint x 1500 mm high 280 kg (350 kg with optional MillMate™)



**essa**

[www.essa.com.au](http://www.essa.com.au)

Essa Australia Limited, PO Box 362, Belmont, WA 6984 AUSTRALIA

phone +61 8 9475 3000 fax +61 8 9477 3544 email [mail@essa.com.au](mailto:mail@essa.com.au)

# MILLMATE™

**The MILLMATE™ is a pneumatically actuated lifting aid for reducing the manual effort required when moving larger ring mill bowls between the Labtech Essa model LM1 or LM2 mill and the work bench.**

The Labtech Essa MILLMATE™ is a special purpose radial slewing hoist for supporting the weight of the pulverising bowl while being transferred between the laboratory mill and work bench. It is particularly suited to reducing operator effort when Labtech Essa bigger bowl assemblies such as the B2000 are being used on the Labtech Essa models LM1, LM1.5 or LM2 mills. Adaptations are also available for smaller bowls (and a special purpose adaptation is standard with the Labtech Essa model LM5 mill).

The MILLMATE™ hoist is mounted on a vertical mast that fits conveniently between the mill and work bench. The hoisting movement is achieved pneumatically while the operator provides the small amount of manual effort required for the radial slewing movement.

The whole bowl assembly is supported in a “weightless” condition during the transfer between the mill and bench (and return) in a special cradle suspended by a link chain from the tip of the MILLMATE™ hoist. The cradle is manually manoeuvred by the operator to pick up and set down the bowl. Manoeuvring is quick and simple, being aided by two thumb operated push buttons in-built in to the cradle for controlling the pneumatic hoisting motion.



*A Labtech Essa model B2000 bowl being carried “weightless” in the MILLMATE™ cradle. Note operators left thumb on one of the two push buttons that are used to raise and lower the cradle.*

**The MILLMATE™ is particularly suited to use on pneumatically clamped mills because it shares the same air supply. It is offered as an optional extra for Labtech Essa model LM1, LM1.5 and LM2 mills.**

# RING MILL BOWLS

1 of 3

## A unique range of bowls from 10 to 2000cc nominal capacity

The Labtech Essa programme of ring mill bowls is unique because it includes 3 sizes of internationally patented high capacity and performance bowls together with a range of traditional ring and roller type bowls.

The patented bowls consist of a single, solid “flying saucer” shaped puck operating in a bowl with a concave curved bottom surface. The mass of this single puck in combination with the spatula like grinding interaction between its lower curved surface and that of the bowl provides superior pulverising with grinding performance. The puck also has an off-centre, truncated hole through it to assist in the mixing of the sample to assure homogeneity. These bowls are of through hardened steel construction for optimum life. They are available in 800, 1000 & 2000cc nominal capacity.



*Labtech Essa unique patented solid “flying saucer” shaped puck*

Labtech Essa traditional ring and roller style bowls are available in 50, 100, 125, 300 & 400cc nominal capacity. These too are of through hardened steel construction as standard, with optional materials available on request.

**All bowls in this range are suitable for use on the Labtech Essa model LM1, LM1.5 and LM2 mills** as set out on page 2 of this data sheet (see separate data sheets for mill details). Ring and roller bowls can be used as replacements for those from other manufacturers.

The patented bowls typically have the ability (when used on a Labtech Essa mill) to reduce ores, minerals, metallurgical samples, ceramics, soils, aggregates, chemicals and similar particulates to a nominal 75 $\mu$  product in approximately 3 minutes; with the ring and roller range typically capable of producing an even finer product in approximately 1 to 3 minutes. The useable capacity of each bowl will generally be 60 to 80% of its nominal capacity. The performance expectation of all bowls is subject to the physical characteristics of the sample being milled and the final particle sizing required.

**Labtech Essa are pleased to be able to conduct pre-purchase trials on customer supplied samples**

# RING MILL BOWLS

2 of 3

## TYPES AND SIZES AVAILABLE

### LABTECH ESSA UNIQUE 800, 1000 & 2000cc nominal capacity bowl assemblies:



Model number	Nominal capacity (cc)	Internal diameter x depth (mm)	Grinding elements	Mass (kg)
B800	800	210 x 65	1 disc	16
B1000	1000	240 x 65	1 disc	19
B2000	2000	252 x 93	1 disc	27

### LABTECH ESSA ring & roller bowl assemblies:



Model number	Nominal capacity (cc)	Internal diameter x depth (mm)	Grinding elements	Mass (kg)
B50	50	65 x 37	1 roller	2
B100	100	140 x 50	1 ring + 1 roller	7
B125	125	140 x 60	1 ring + 1 roller	7
B300	300	200 x 47	2 rings + 1 roller	14
B400	400	200 x 47	1 ring + 1 roller	14

**NOTE:** A spacer ring may need to be fitted between the bowl and the mill to assure correct fitment of the bowl.

## All the above bowl assemblies are suitable for use on the Labtech Essa Models LM1, LM1.5 and LM2 mills

(The use of the B1000 and B2000 is not recommended when connecting the LM1 to a 60 cycle power supply)

Labtech Essa ring and roller bowls can be substituted for any equivalent product on mills manufactured by others. Labtech Essa models B800, B1000 & B2000 bowls however are not recommended for use on competitors mills unless of equivalent power and speed.

Labtech Essa are pleased to be able to conduct pre-purchase trials on customer supplied samples



**Labtech  
Essa**

[www.labtechessa.com.au](http://www.labtechessa.com.au)

Labtech Essa Pty Ltd  
8 Yelland Way, Bassendean  
Western Australia 6054, Australia  
Phone: +61 (08) 93773677  
Fax: +61 (08) 93773420  
email: [mail@labtechessa.com.au](mailto:mail@labtechessa.com.au)

April 2002



# STEEL BOWLS: TYPICAL ANALYSIS

## Essa Genuine Steel Grinding Bowls and Grinding Elements

Including our High-Capacity, High-Production Bowl and Disc Type

Grinding bowls and elements are manufactured from steel having the following **maximum** levels of minor and trace elements.

ELEMENT	STANDARD		CHROME	
	Max. Level	Unit	Max. Level	Unit
<b>Au</b>	2.0	ppm	0.05	ppm
<b>Ag</b>	10	ppm	1.0	ppm
<b>Bi</b>	10	ppm	10	ppm
<b>Cd</b>	10	ppm	10	ppm
<b>Co</b>	2000	ppm	300	ppm
<b>Cu</b>	5000	ppm	2500	ppm
<b>Cr</b>	2500	ppm	14	%
<b>Mg</b>	2000	ppm	1000	ppm
<b>Mn</b>	2.0	%	7500	ppm
<b>Mo</b>	1.0	%	2500	ppm
<b>Ni</b>	5000	ppm	4000	ppm
<b>Pb</b>	2000	ppm	25	ppm
<b>V</b>	1.0	%	1500	ppm
<b>Zn</b>	2000	ppm	500	ppm

July 2009

Every batch of steel used in our manufacturing process is tested by a certified laboratory. If you would like a copy of the Batch Analysis Report regarding your particular bowl or grinding elements or require further information please contact Essa, quoting the serial number stamped into the bowl or grinding elements.

**Email: [mail@essa.com.au](mailto:mail@essa.com.au)**

**Web: [www.essa.com.au](http://www.essa.com.au)**



# BOWL PRODUCTS LISTING

SUITABLE MILL FOR BOWL	BOWL MODEL	ITEM	CHROME STEEL	STANDARD STEEL	SPACER RING
LM1 Mill 50hZ	B50	Bowl	471002	477002	470001
		Roller	471003	477003	
		Lid	471004	471004	
		O Ring	470049	470049	
LM1 Mill 60hZ	B100	Bowl	471042	477006	470003
		Ring	471007	477007	
		Roller	471008	477008	
		Lid	471009	471009	
		O Ring	223020	223020	
LM1.5 Mill 50hZ	B125	Bowl	471014	477014	470005
		Ring	471007	477007	
		Roller	471008	477008	
		Lid	471009	471009	
		O Ring	223020	223020	
LM1.5 Mill 60hZ	B300	Bowl	471016	477016	470005
		Inner Ring	471096	477096	
		Outer Ring	471095	477095	
		Roller	471097	477097	
		Lid	471018	471018	
		Lid Seal	470040	470040	
LM2 Mill 50 & 60hZ	B400	Bowl	471016	477016	470007
		Ring	471098	477098	
		Roller	471099	477099	
		Lid	471018	471018	
		Lid Seal	470040	470040	
LM5 Mill	B800	Bowl	471025	477025	470007
		Disc	471026	477026	
		Lid	471027	471027	
		Lid Seal	470039	470039	
LM5 Mill	B1000	Bowl	471029	477029	470007
		Disc	471030	477030	
		Lid	471032	471032	
		Lid Seal	470038	470038	
LM5 Mill	B2000	Bowl	471034	477034	Spacer Ring not required
		Disc	471035	477035	
		Lid	471036	471036	
		Lid Seal	470021	470021	
LM5 Mill	B5000	Bowl	n/a	477004	Not Applicable
		Disc	n/a	477005	
		Lid	n/a	475004	
		Lid Seal	n/a	470022	

# MODEL LM5

## Laboratory Ring Mill

1 of 2

### Vibratory ring mill for preparing up to 3.5kg of ore for mineral for analysis

The Labtech Essa model LM5 mill is used for pulverising ores, minerals, soils, metallurgical samples, ceramics, aggregates, chemicals and similar particulates. It finds particular application in mineral laboratories needing to prepare larger, more representative samples. Typically, samples of approximately 3 to 3.5 kg mass can be ground to 90 to 95% minus 75 micron, while larger samples up to approximately 4 to 5 kg can be reduced to approximately 0.5 to 0.8 mm particle size (all subject to the physical characteristics of the material. and the condition of the grinding elements). Grinding time will be approximately 5 to 8 minutes.



Labtech Essa are pleased to conduct pre-purchase trials on customer free supplied samples.

### PLEASE ASK FOR OUR DEMONSTRATION VIDEO

The vibratory platform of the model LM5 is driven by a universal shaft powered by vee-belts from a standard, stationary (non-vibrating) 4 kW electric motor. This arrangement delivers the power required to drive the large 5 kg nominal capacity grinding bowl integrated in to the head of the mill. The drive motor is inherently protected from direct vibrational loads.

The design of the bowl is based on Labtech Essa internationally patented concept of a single, solid "flying saucer" shaped puck operating in a curved bottom bowl. Only the puck is removed from the bowl during routine operation. A pneumatically actuated "MILLMATE™" hoist is fitted as standard to assist in lifting and lowering the puck. The bowl is filled and emptied manually. Residue is vacuumed from the bowl. A vacuum gun is supplied as standard with each mill for connection to the customer's dust extraction system.

#### STANDARD FEATURES:

- Pneumatic bowl lid clamping.
- 4 kW stationary electric motor drive.
- 415 Volt, 50hz, 3 phase power
- Good looking, easy to clean fibreglass cabinet with sound reducing foam lining
- External control box with start & stop
- push button, motor overload protection, electronic run cycle timer and pneumatic failure protection.
- Lid safety switch de-energises mill when cabinet lid opened
- Integrated Emergency Stop button.

TECHNICAL  
DATA:

Power requirement	415 Volt, 50hz, 3 phase is standard but a full range of 3 phase power connections is available
Clean, dry air service required for pneumatic lid clamping and MillMate™	450 to 600 Kpa (65 to 90 psi) : 1 litre per minute maximum flow
Space required (approx. only)	1330mm wide x 1030mm deep footprint x 1730mm to top of MillMate™
Shipping mass	720 kg



www.labtechessa.com.au

Labtech Essa Pty Ltd  
8 Yelland Way, Bassendean  
Western Australia 6054, Australia  
Phone: +61 (08) 93773677  
Fax: +61 (08) 93773420  
email: mail@labtechessa.com.au

April 2002

# MODEL LM5

## Laboratory Ring Mill

2 of 2

The pulverising bowl of the Labtech Essa model LM5 mill is permanently attached to the vibrating platform of the mill during all normal operations. Only the puck is removed; with the aid of the pneumatically actuated MILLMATE™. The bowl is filled and emptied manually.

Residue is vacuumed from the bowl. A vacuum gun assembly is supplied as standard for this purpose, together with 3 metres of flexible hose for connection to the customer's dust collection system. Some customers prefer to connect direct to their dust collection system with an open ended flexible hose as shown in the photo at the bottom of this page and in our demonstration video.

The design of the bowl is based on Labtech Essa internationally patented concept of a single, solid "flying saucer" shaped puck operating in a curved bottom bowl. This concept is recognised to produce a homogeneous sample which only requires a portion of the milled sample to be retained for analytical purposes.

The Labtech Essa model LM5 mill is housed in a durable and good looking fibreglass cabinet lined with sound absorbing foam. A dust extraction point is provided at the rear of the cabinet.

The front half of the cabinet is quickly and easily removed for maintenance access. Major maintenance is facilitated by the ability to remove the mill from the cabinet while leaving the cabinet and MILLMATE™ in their installed location. Sample preparation facilities with multiple numbers of mills make use of this capability to quickly install a spare mill while the original is taken to the workshop.



*LM5 mills installed at a commercial assay laboratory in Kalgoorlie, Western Australia. Note this customer's preference to install their own (white coloured) flexible vacuum hoses for final bowl cleaning and their introduction of a coarse dust trap between the mills and their dust extraction ducting*



**Labtech**  
**Essa**

[www.labtechessa.com.au](http://www.labtechessa.com.au)

Labtech Essa Pty Ltd  
8 Yelland Way, Bassendean  
Western Australia 6054, Australia  
Phone: +61 (08) 93773677  
Fax: +61 (08) 93773420  
email: [mail@labtechessa.com.au](mailto:mail@labtechessa.com.au)

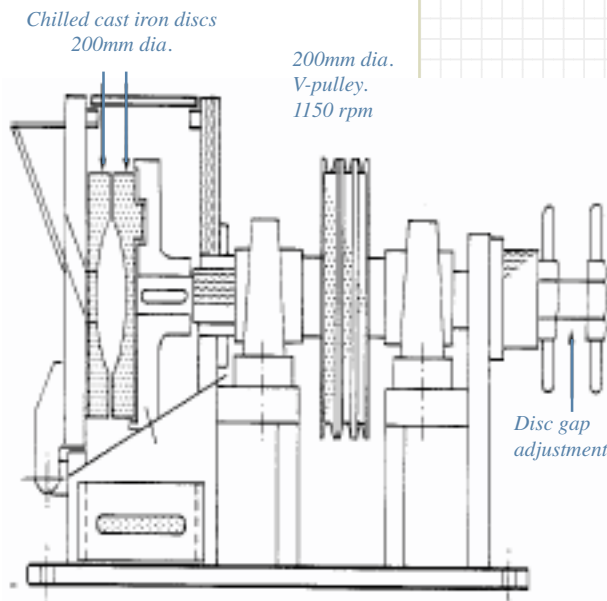
April 2001

# DISC PULVERISING MILL

The Labtech Essa Disc Pulveriser is a simple, durable machine for fine grinding all types of ores.

Fully welded steel construction with a powerful 4 kW 3 phase WEG motor.

The grinding chamber comprises one fixed and one rotating 200mm diameter grinding plate turning about a horizontal axis. The internal surfaces of the grinding chamber are smooth faced and easily accessed and cleaned between samples.



Product sizing is controlled by the gap between the two plates. A simple screw adjustment is used to set the gap.

The operating capacity of the disc pulveriser depends upon the gap setting, feed size and the crushing properties of the ore being processed. Typical capacities are 15 to 150 kg per hour.

The Labtech Essa Disc Pulveriser can be supplied as an option mounted on a specially built bench complete with dust extraction hoods for dust free operation.

## Labtech Essa 200 dia. Disc Pulveriser

<i>Dimensions</i>	730 long x 400 wide x 400 deep mm
<i>Mass, crated</i>	200 kg
<i>Dimensions, crated</i>	800 x 500 x 500 mm
<i>Maximum feed size</i>	12 mm
<i>Product size</i>	75 micron up
<i>Approximate capacity</i>	15—150 kg / hour
<i>Shaft speed</i>	1150 rpm
<i>Motor</i>	4 kW, 3 phase, TEFC

## ESTACION DE TRABAJO

### Estación de trabajo LABTECH ESSA Fabricación chilena

---

Diseñadas para laboratorios, especialmente para el área de análisis y preparación de muestras



Fabricada en acero estructural con cubierta de goma e iluminación (en caso de ser requerida). Posee una perforación a nivel del mesón para la extracción de polvo.

Las dimensiones estándar de fabricación son 750 mm. de fondo y 900 mm. de altura (al nivel de trabajo), con frentes de 1200, 1500, 1800, 2000, 2400, 3000 mm. o según requerimientos del usuario.

---

Equipos sujetos a modificaciones o cambios técnicos



Labtech Hebro Ltda. 

Labtech Hebro Ltda.  
Paula Jaraquemada 1553, Renca  
Santiago, Chile  
Fono : (56) 2 2331 2000  
Fax : (56) 2 2208 9569  
e-mail : [ventas@hebrolab.cl](mailto:ventas@hebrolab.cl) / [ventas1@hebrolab.cl](mailto:ventas1@hebrolab.cl)

# HORNOS DE SECADO DE MUESTRAS

## Horno para Secado de Muestras LABTECH HEBRO Fabricación Chilena

Estos equipos son fabricados por Labtech Hebro Chile, manteniendo sus diseños idénticos a los construidos en origen, sólo que con el propósito de reducir costos de transporte, debido a sus grandes volúmenes, tanto sus estructuras soportantes, como sus revestimientos interiores, exteriores y elementos aislantes, son fabricados localmente en Chile según planos de los originales australianos. Sin embargo, otros elementos como, calefactores, turbinas de aire forzado, motores, cierres de puertas, termocuplas, elementos de control y otros, son importados desde Australia.

Actualmente en Chile, se están fabricando para el mercado latinoamericano, los equipos de 1, 2 y 4 m<sup>3</sup> de capacidad, con uno, dos y cuatro carros portamuestras respectivamente.

Entre las características más relevantes de estos hornos, están su gran comodidad y seguridad para el operador, ya que todos ellos disponen de baja potencia (para sus grandes tamaños) y alta eficiencia; sistema de control de temperatura especialmente exacto para el interior de la cámara y termocupla de seguridad (excepto modelo DO0.8ME), que actúa ante una eventual falla del controlador de temperatura, evitando que ésta aumente más de lo deseado. El revestimiento interior, los ductos de distribución de aire caliente, las turbinas generadoras del flujo y otros elementos en permanente contacto con el aire húmedo del interior, están fabricados en acero inoxidable AISI 304, con la opción de utilizar también AISI 316.



### MODELOS

MODELO	CAPACIDAD	POTENCIA	Nº MOTORES	Nº CALEFACTORES
<b>DO0.8ME</b>	5 parrillas deslizantes	9KW	1	3
<b>DO1ME</b>	1 Carro 6 parrillas	9 KW	1	3
<b>DO2ME</b>	2 Carros 6 parrillas c/u	18 KW	2	6
<b>DO4ME</b>	4 Carros 6 parrillas c/u	24 KW	2	6

### Equipos sujetos a modificaciones o cambios técnicos

Opcionales:  
Control remoto de temperatura mediante PC  
Carros porta muestra adicionales  
Otras especificaciones especiales  
Versión con puertas adicionales según requerimiento del cliente



Labtech Hebro Ltda.



Labtech Hebro Ltda.  
Paula Jaraquemada 1553, Renca  
Santiago, Chile  
Fono : (56) 2 2331 2000  
Fax : (56) 2 2208 9569  
e-mail : [ventas@hebrolab.cl](mailto:ventas@hebrolab.cl) / [ventas1@hebrolab.cl](mailto:ventas1@hebrolab.cl)

# CARRO DE TRES BANDEJAS

## Carro de tres bandejas HEBRO Fabricación chilena

---



Modelo	Carga [Kg.]	Largo [mm.]	Ancho [mm.]	Alto [mm.]	Alto Bandeja [mm.]	Peso Aprox. [Kg.]	Ø Rueda ["]
ICE-F3	600	800	500	1.100	70	36	5"
ICE-F4	750	1.000	600	1.100	70	42	5"

---

Equipos sujetos a modificaciones o cambios técnicos



Labtech Hebro Ltda. **HB**

Labtech Hebro Ltda.  
Paula Jaraquemada 1553, Renca  
Santiago, Chile  
Fono : (56) 2 2331 2000  
Fax : (56) 2 2208 9569  
e-mail : [ventas@hebrolab.cl](mailto:ventas@hebrolab.cl) / [ventas1@hebrolab.cl](mailto:ventas1@hebrolab.cl)

# BANDEJAS METALÚRGICAS

## Bandejas Metalúrgicas HEBRO Fabricación chilena

Todos los modelos son estampados en frío y diseñados con aristas interiores redondeadas, Especiales para el secado de muestras minero-metalúrgicas, ya que permiten una fácil y segura limpieza impidiendo el alojamiento de impurezas que podrían contaminar muestras sucesivas.

Fabricadas en acero AISI 304 (o AISI 316 según especificación del cliente).

### BANDEJAS

Código	Medidas Interiores [mm] (Largo x Ancho x Alto)	Medida Exterior con Pestaña [mm] (Largo x Ancho x Alto)	Capacidad [Litros]
B-1-40	228 x 165 x 40	254 x 188 x 40	1.8
B-1-60	228 x 165 x 60	254 x 188 x 60	2.7
B-1-80	228 x 165 x 80	254 x 188 x 80	3.6
B-1-100	228 x 165 x 100	254 x 188 x 100	4.5
B-2-40	297 x 148 x 40	318 x 168 x 40	1.7
B-2-60	297 x 148 x 60	318 x 168 x 60	3.0
B-2-80	297 x 148 x 80	318 x 168 x 80	4.0
B-3-40	355 x 236 x 40	380 x 260 x 40	3.7
B-3-60	355 x 236 x 60	380 x 260 x 60	5.5
B-3-80	355 x 236 x 80	380 x 260 x 80	7.4
B-4-40	376 x 275 x 40	398 x 298 x 40	4.8
B-4-60	376 x 275 x 60	398 x 298 x 60	7.2
B-4-80	376 x 275 x 80	398 x 298 x 80	9.6
B-5-40	448 x 375 x 40	490 x 410 x 40	7.5
B-5-60	448 x 375 x 60	490 x 410 x 60	11.2
B-5-80	448 x 375 x 80	490 x 410 x 80	15.0
B-6-60	598 x 397 x 60	650 x 440 x 60	15.6
B-6-100	598 x 397 x 100	650 x 440 x 100	26.0



### POCILLOS

Código	Diámetro [mm]	Altura [mm]	Capacidad [cc]
P-1	125	35	280
P-2	125	50	500
P-3	125	80	800



**Labtech Hebro Ltda.**



Labtech Hebro Ltda.  
Paula Jaraquemada 1553, Renca  
Santiago, Chile  
Fono : (56) 2 2331 2000  
Fax : (56) 2 2208 9569  
e-mail : [ventas@hebrolab.cl](mailto:ventas@hebrolab.cl) / [ventas1@hebrolab.cl](mailto:ventas1@hebrolab.cl)

# CUARTEADORES DE MUESTRA

## Cuarteadores de muestra HEBRO tipo Riffle o Jones Fabricación chilena

Los cuarteadores están diseñados para reducir una cantidad de muestra a no más de la necesaria, de tal manera que pueda ser utilizada en los análisis granulométricos y/o químicos, conservándose la representatividad de esta.



El fondo del buzón o tolva del equipo está dividido en varios compartimientos de igual tamaño. Estas divisiones en forma de chutes inclinados a 45°, los cuales descargan en direcciones opuestas de tal manera que la muestra quedará separada en dos porciones iguales.

El equipo está construido en acero inoxidable AISI 304 de 1 mm de espesor y consta fundamentalmente de la tolva descrita anteriormente y de tres bandejas receptoras elaboradas en el mismo material, que permiten recoger la muestra ya dividida en dos, por la parte inferior del equipo. La tercera bandeja facilita al operador realizar reducciones sucesivas sin necesidad de cambiar de recipiente para alimentar nuevamente la tolva.

### MODELOS:

ABERTURA	Nº DIVISIONES	CAPACIDAD Kg.	DIMENSIONES CUARTEADOR [mm.]		
			Alto	Largo	Ancho
2"	8	35	400	540	410
1.1/2"	10	35	400	540	410
1"	16	40	400	540	410
3/4"	18	30	390	480	400
1/2"	24	30	400	460	400
1/2"	12	6	300	280	210
* 1/4"	16	2	150	180	160
** 3 mm.	52	4,5	340	240	220

\* Fabricado en Acero Inoxidable AISI 304 y Durocotón.

\*\* Fabricado en Acero Inoxidable AISI 304 y Aluminio.



Labtech Hebro Ltda. **HB**

Labtech Hebro Ltda.  
Paula Jaraquemada 1553, Renca  
Santiago, Chile  
Fono : (56) 2 2331 2000  
Fax : (56) 2 2208 9569  
e-mail : [ventas@hebrolab.cl](mailto:ventas@hebrolab.cl) / [ventas1@hebrolab.cl](mailto:ventas1@hebrolab.cl)

# CUARTEADOR DE COMPUERTA

## Cuarteador de compuerta HEBRO Fabricación chilena

---

Estos cuarteadores son fabricados íntegramente en acero inoxidable AISI 304, insertados en una estructura soportante de acero al carbono. El funcionamiento de este equipo se basa en una "tolva de compuertas", ubicada en la parte superior, dividida longitudinalmente, que tiene la función de contener y dejar caer la muestra en su totalidad por el centro a lo largo del chute del equipo. Este mecanismo tiene el objeto de distribuir la carga en dos partes iguales. La tolva, al igual que las bandejas receptoras están fabricadas en acero AISI 304.

---



Estos equipos son principalmente diseñados para ser usados en terreno, por lo cual éstos disponen de ruedas y manillas para facilitar su traslado fuera del laboratorio.

### OBSERVACIONES

Los tamaños de estos equipos son variables. Estas variaciones dependen del volumen de la muestra, así como de su granulometría. Este último factor define el ancho de aberturas o riffles

**Equipo sujeto a modificaciones o cambios técnicos**



Labtech Hebro Ltda.



Labtech Hebro Ltda.  
Paula Jaraquemada 1553, Renca  
Santiago, Chile  
Fono : (56) 2 2331 2000  
Fax : (56) 2 2208 9569  
e-mail : [ventas@hebrolab.cl](mailto:ventas@hebrolab.cl) / [ventas1@hebrolab.cl](mailto:ventas1@hebrolab.cl)



## DIVISORES ROTATORIOS DE MUESTRAS

**Labtech Hebro Ltda.**



LÍDER EN EQUIPOS Y ACCESORIOS  
PARA EL MUESTREO Y  
PREPARACIÓN DE MUESTRAS

Labtech Hebro Ltda.

Paula Jaraquemada 1553, Renca  
Santiago, Chile

Fono: (56) 2 2331 2000

Fax: (56) 2 2208 9569

[ventas@hebrolab.cl](mailto:ventas@hebrolab.cl)

[ventas1@hebrolab.cl](mailto:ventas1@hebrolab.cl)

[www.labtechhebro.cl](http://www.labtechhebro.cl)

Uno de los principales equipos utilizados actualmente para la preparación de muestras son los Divisores Rotatorios. Labtech Hebro, a través de los años, ha ido desarrollando, diseñando, fabricando y perfeccionando estas máquinas implementando nuevas tecnologías y aportando detalles que faciliten su operación.

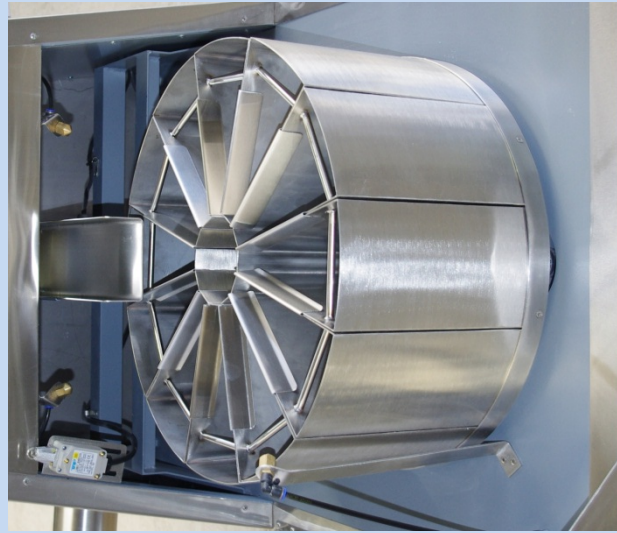
Actualmente Labtech Hebro fabrica los siguientes tipos de Divisores Rotatorios:

- DIVISOR ROTATORIO DE MUESTRA SIN RECHAZO
- DIVISOR ROTATORIO DE MUESTRA CON RECHAZO
- DIVISOR ROTATORIO DE MUESTRA TIPO PROSPLITTER
- DIVISOR ROTATORIO DE MUESTRA DE SOBREMESA



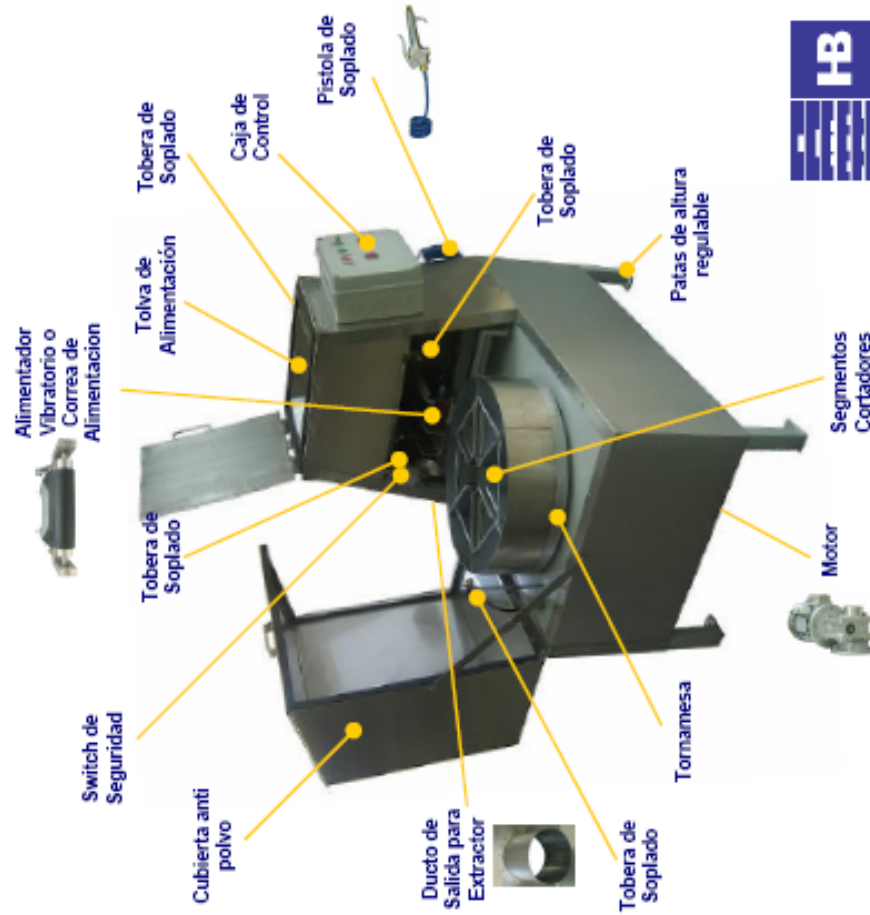
**DIVISOR ROTATORIO DE MUESTRAS SIN RECHAZO**

Equipo con distintas capacidades de trabajo, diseñado para cortar en segmentos idénticos el total de la muestra



La principal característica de este equipo está dada por la relación entre la capacidad de la tolva con respecto al total de los segmentos cortadores. Su número y tamaño puede variar de acuerdo a los requerimientos del usuario.

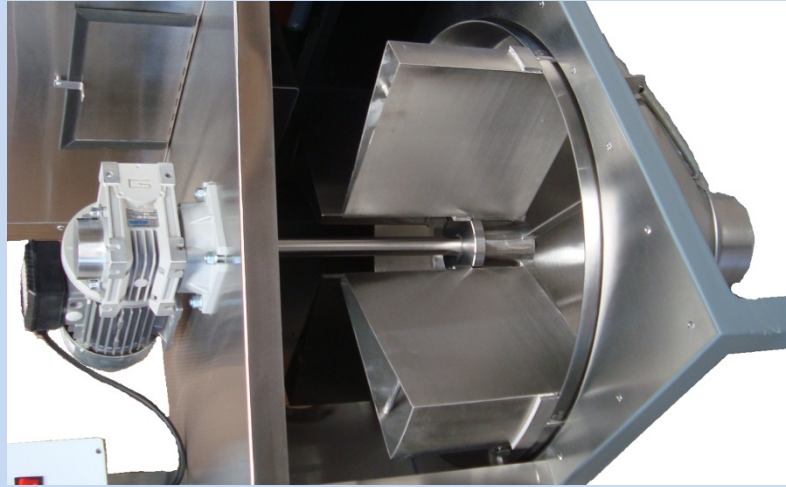
Modelos	
Tipo	Capacidad
DR5	5 litros
DR10	10 litros
DR20	20 litros
DR30	30 litros
DR50	50 litros





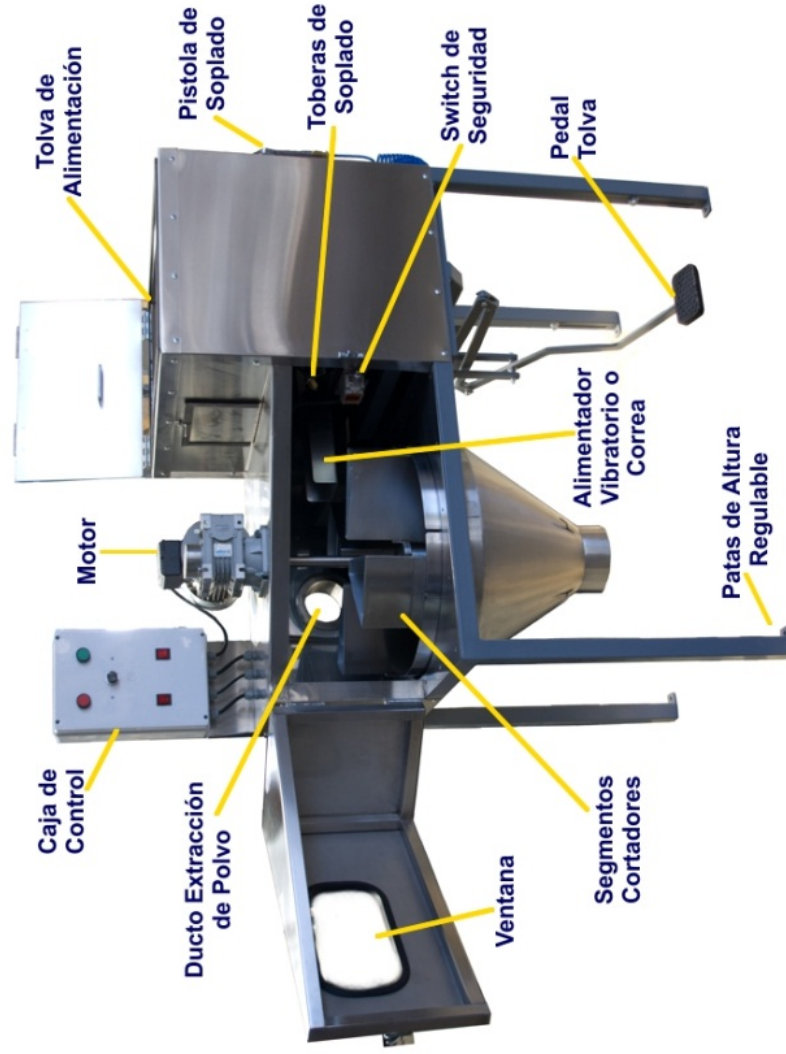
## DIVISOR ROTATORIO DE MUESTRAS CON RECHAZO

Equipo diseñado para obtener un porcentaje específico del total de la muestra



Diseñado con un brazo giratorio donde se ubican dos o más segmentos cortadores cuya sección de corte estará definida por la fracción de muestra requerida por el operador, pudiendo ser por ejemplo:  $\frac{1}{10}$ ,  $\frac{1}{20}$ ,  $\frac{1}{25}$ , etc. También es posible efectuar distintas combinaciones de segmentos de diversa capacidad en el mismo ensayo.

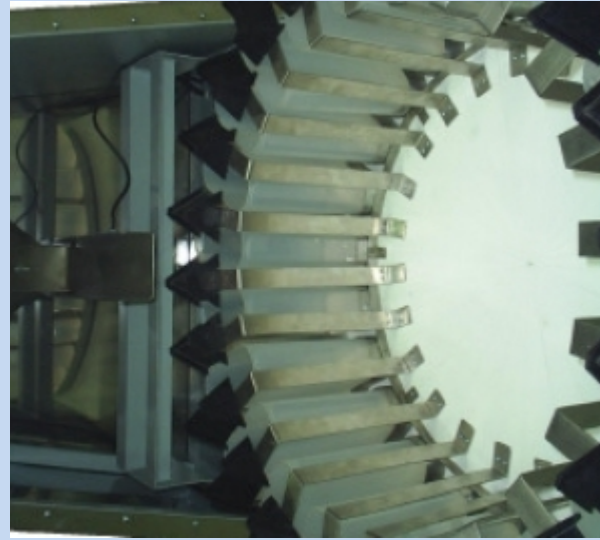
Modelos	Capacidad
DRR5	5 litros
DRR10	10 litros
DRR20	20 litros
DRR30	30 litros
DRR50	50 litros





### DIVISOR ROTATORIO DE MUESTRAS TIPO PROSPLITTER

Equipo con distintas capacidades de trabajo, diseñado para cortar en segmentos idénticos el total de la muestra en capachos plásticos

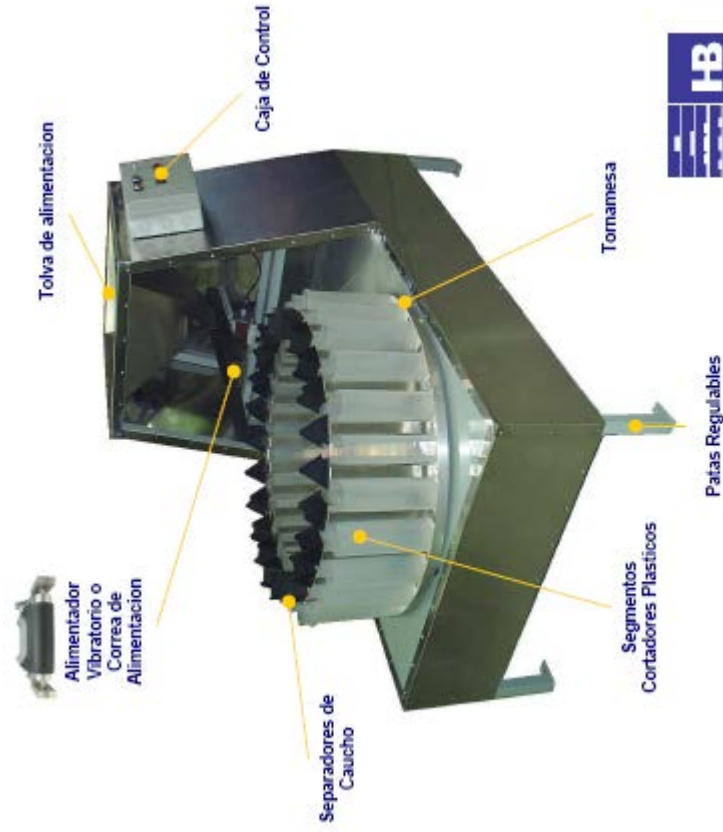


Equipo diseñado para dividir la muestra en fracciones iguales conservando la representatividad y homogeneidad de la carga inicial.

Este divisor de muestras está compuesto principalmente por una tolva receptora, alimentador vibratorio de velocidad variable, tornamesa accionada por motorreductor, capachos plásticos y separadores de caucho.

#### Modelos

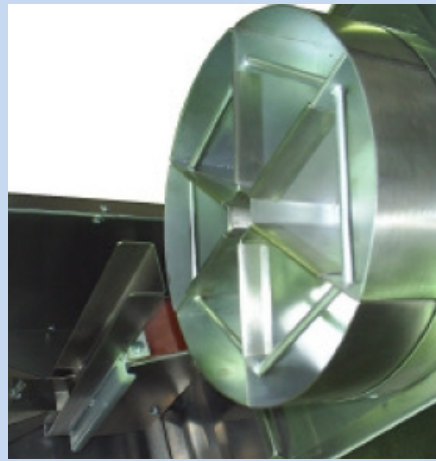
Tipo	Nº de Segmentos	Capacidad
M6	6 un	A elección
M12	12 un	A elección
M20	20 un	A elección
M30	30 un	A elección





## DIVISOR ROTATORIO DE MUESTRAS DE SOBREMESA

Equipo diseñado para operar sobre un mesón de trabajo

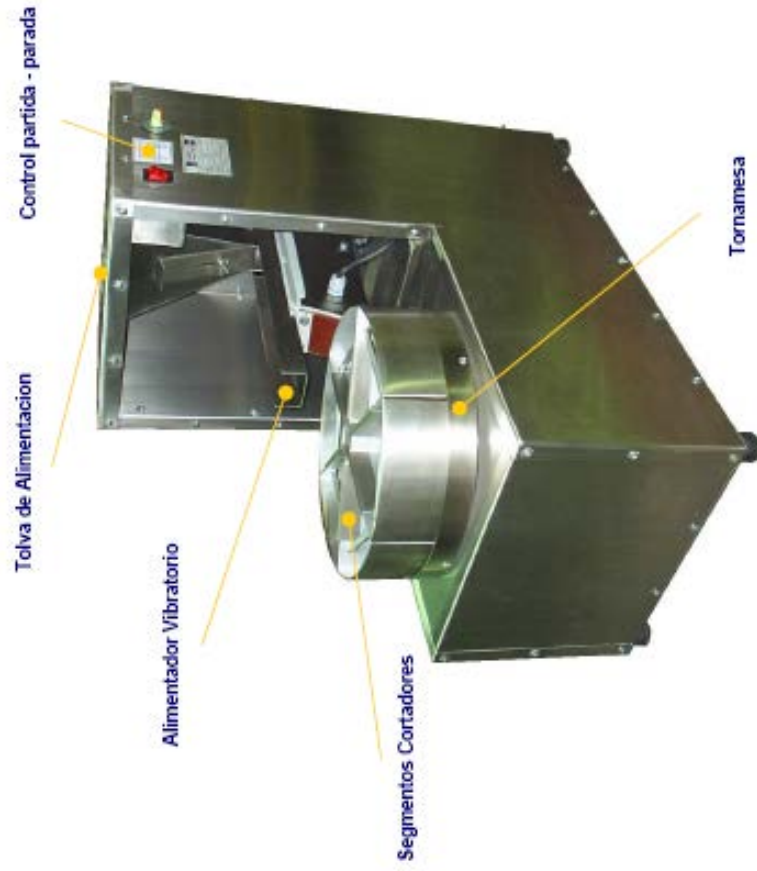


Al igual que el Divisor Rotatorio sin Rechazo, su objetivo es dividir la muestra madre conservando su homogeneidad.

Este divisor es pequeño y compacto, revestido totalmente en acero inoxidable y capaz de operar sobre un mesón de trabajo.

### Modelos

Tipo	Capacidad
DR2	2 litros



# DIVISOR ROTATORIO DE BOTELLAS DRB-8

## Divisor rotario HEBRO Modelo DRB-8 Fabricación Chilena

Este equipo se diferencia del modelo clásico, de capachos, debido a la gran velocidad de giro de su cabezal divisor y hermeticidad de los ocho receptores de muestra. Estas características aseguran una gran cantidad de incrementos en cada botella en un corto tiempo, lo que hacen que cada muestra sea representativa del producto a dividir.

El equipo es compacto y robusto, ideal para operar sobre un mesón de trabajo o sobre la estructura soportante propia. La tolva y alimentador vibratorio son de acero inoxidable, el cabezal divisor de aluminio y los frascos receptores de vidrio.

El equipo se proporciona completo, con 10 frascos (2 de repuesto) y estructura soportante de acero pintado.



### CARACTERISTICAS

Alimentador Vibratorio Electromagnético	: Velocidad variable
Tolva de Alimentación	: Acero Inoxidable de 1.5 litros de capacidad
Dimensiones	: Alto 960mm / Largo 630mm / Ancho 560mm
Peso equipo	: 77Kg
Conexiones	: 220V / 50Hz
Capacidad de los frascos	: 500cc c/u
Estructura soportante	: Alto 710mm / Largo 630mm / Ancho 560mm
Peso estructura	: 19Kg

**Equipo sujeto a modificaciones o cambios técnicos**



Labtech Hebro Ltda.



Labtech Hebro Ltda.

Paula Jaraquemada 1553, Renca  
Santiago, Chile

Fono : (56) 2 2331 2000

Fax : (56) 2 2208 9569

e-mail : [ventas@hebrolab.cl](mailto:ventas@hebrolab.cl) / [ventas1@hebrolab.cl](mailto:ventas1@hebrolab.cl)

# DIVISOR ROTATORIO DE SOBREMESA

## Divisor rotario de sobremesa HEBRO Fabricación chilena

Este equipo tiene por objeto, al igual que todos los Divisores Rotatorios, obtener fracciones de una muestra, conservando la representatividad y homogeneidad de la muestra madre.

En este especial caso, se trata de un equipo pequeño y compacto revestido totalmente en acero inoxidable, capaz de operar sobre un mesón de trabajo, cuya capacidad de tolva es 2.0 litros, la que descarga a través de un alimentador vibratorio de velocidad variable, accionado electromagnéticamente a una tornamesa de 12" de diámetro con 6 capachos receptores de muestra.

Es condición hacer descargar la tolva a una velocidad tal, que ésta quede vacía en no menos de un minuto. Para asegurar aún más el éxito de la prueba y si el tiempo del protocolo lo permite, se recomienda bajar la velocidad de descarga, hasta que el total de la muestra se distribuya en 1.5 minutos o más, lo que incrementará la cantidad de cortes, mejorando así la calidad del cuarteo.

Para operar correctamente, el equipo debe estar nivelado horizontalmente, por lo que dispone de patas ajustables.



### CARACTERISTICAS

Alimentador Vibratorio Electromagnético	: Velocidad variable
Tolva de Alimentación	: Acero Inoxidable de 2,0 litros de capacidad
Dimensiones	: 580 mm. de alto x 555 mm. de largo y 310 mm. de ancho
Peso aprox.	: 25 Kgs.
Conexiones	: 220V / 50Hz.

**Equipo sujeto a modificaciones o cambios técnicos**



Labtech Hebro Ltda.



Labtech Hebro Ltda.

Paula Jaraquemada 1553, Renca  
Santiago, Chile

Fono : (56) 2 2331 2000

Fax : (56) 2 2208 9569

e-mail : [ventas@hebrolab.cl](mailto:ventas@hebrolab.cl) / [ventas1@hebrolab.cl](mailto:ventas1@hebrolab.cl)

# DIVISOR DE MUESTRA TIPO PROSPLITTER

## Divisor Prosplitter HEBRO Fabricación chilena

Equipo diseñado para dividir la muestra en fracciones iguales conservando la representatividad y homogeneidad de la muestra inicial.

Este divisor de muestras está compuesto principalmente por una tolva receptora, alimentador vibratorio de velocidad variable, tornamesa accionada por motorreductor, capachos plásticos y separadores de caucho.



### VARIEDADES

Modelo	Nº capachos	Capacidad de tolva
M 6	6	a elección
M 12	12	a elección
M 20	20	a elección
M 30	30	a elección

Equipo sujeto a modificaciones o cambios técnicos



Labtech Hebro Ltda. 

Labtech Hebro Ltda.  
Paula Jaraquemada 1553, Renca  
Santiago, Chile  
Fono : (56) 2 2331 2000  
Fax : (56) 2 2208 9569  
e-mail : [ventas@hebrolab.cl](mailto:ventas@hebrolab.cl) / [ventas1@hebrolab.cl](mailto:ventas1@hebrolab.cl)

# HOMOGENIZADOR TIPO PANTALON

## Homogenizador tipo Pantalón HEBRO Fabricación chilena

---

Equipo diseñado para homogenizar concentrados, muestras de minerales, pellets, etc. Su diseño en forma de "Y" aumenta el área de homogenizado, asegurando así una muestra perfectamente mezclada.

---



### MODELOS

Fabricado en acero Inoxidable AISI 304, montado en una estructura soportante (acero al carbono) accionado por un motorreductor de velocidad constante.

Este equipo puede ser construido para distintos volúmenes de muestra, a elección del usuario.

**Equipo sujeto a modificaciones o cambios técnicos**



Labtech Hebro Ltda. **HB**

Labtech Hebro Ltda.  
Paula Jaraquemada 1553, Renca  
Santiago, Chile  
Fono : (56) 2 2331 2000  
Fax : (56) 2 2208 9569  
e-mail : [ventas@hebrolab.cl](mailto:ventas@hebrolab.cl) / [ventas1@hebrolab.cl](mailto:ventas1@hebrolab.cl)

# HARNERO HEBRO

## Harnero Vibratorio HEBRO Fabricación chilena

---

Construido en acero al carbono pintado.

### Características:

- Motor eléctrico de 3/4Hp 380V/50Hz
- Frecuencia : Horizontal 140 RPM  
Bastidor con bisagra para descargar material y fácil limpieza
- Capacidad : 1 Bastidor con malla de 600 x 400 aprox.



### INCLUYE

- 1 Bastidor con malla a elección
- Chute receptor metálico para recibir material fino
- Chute receptor metálico para recibir material grueso

**Equipo sujeto a modificaciones o cambios técnicos**



Labtech Hebro Ltda. **HB**

Labtech Hebro Ltda.  
Paula Jaraquemada 1553, Renca  
Santiago, Chile  
Fono : (56) 2 2331 2000  
Fax : (56) 2 2208 9569  
e-mail : [ventas@hebrolab.cl](mailto:ventas@hebrolab.cl) / [ventas1@hebrolab.cl](mailto:ventas1@hebrolab.cl)

# HARNEROS DE LABORATORIO

## Harneros Vibratorios GILSON Fabricación estadounidense (USA)

---

### TS – 1

Capacidad de 6 Deck con mallas.  
Sistema de fijación HIDRÁULICO.  
Este equipo permite clasificar hasta 7  
productos con distinta granulometría.



### TS – 2

Capacidad de 6 Deck con mallas.  
Sistema de fijación MANUAL.  
Este equipo permite clasificar hasta 7  
productos con distinta granulometría.

### TM – 5 / TM - 6

Sistema de fijación HIDRÁULICO.  
Incluye tolva de alimentación y encerramiento  
acústico – antipolución.

**TM – 5**, capacidad de 6 Deck con mallas que  
permite clasificar hasta 7 productos con  
distinta granulometría.

**TM – 6**, capacidad de 7 Deck con mallas que  
permite clasificar hasta 8 productos con  
distinta granulometría.



---

Equipos sujetos a modificaciones o cambios técnicos



Labtech Hebro Ltda. **HB**

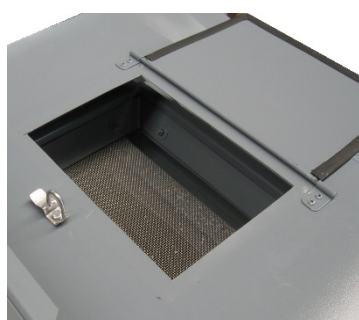
Labtech Hebro Ltda.  
Paula Jaraquemada 1553, Renca  
Santiago, Chile  
Fono : (56) 2 2331 2000  
Fax : (56) 2 2208 9569  
e-mail : [ventas@hebrolab.cl](mailto:ventas@hebrolab.cl) / [ventas1@hebrolab.cl](mailto:ventas1@hebrolab.cl)

# HARNERO CONTINUO HEBRO

## Harnero Vibratorio Continuo HEBRO Fabricación chilena

Harnero continuo de movimiento horizontal con malla que separa el fino, mientras que el sobre malla continúa en ciclo para su fragmentación.

El equipo está fabricado en acero al carbono pintado con anticorrosivo y esmalte. Cuenta con una tolva de descarga de acero inoxidable con aristas redondeadas para evitar acumulación de la muestra.



### INCLUYE

- 1 Bastidor con malla a elección
- Chute receptor metálico para recibir material fino
- Boca de descarga de material grueso

Equipo sujeto a modificaciones o cambios técnicos



Labtech Hebro Ltda. **HB**

Labtech Hebro Ltda.  
Paula Jaraquemada 1553, Renca  
Santiago, Chile  
Fono : (56) 2 2331 2000  
Fax : (56) 2 2208 9569  
e-mail : [ventas@hebrolab.cl](mailto:ventas@hebrolab.cl) / [ventas1@hebrolab.cl](mailto:ventas1@hebrolab.cl)

# Jaw Crusher Model JC1000

Medium Duty 130 mm x 100 mm  
Laboratory Jaw Crusher



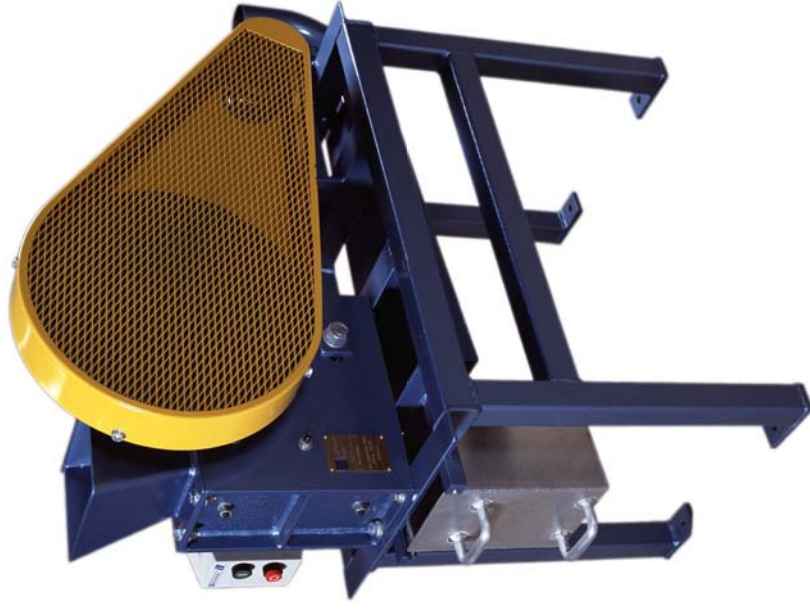
## Versatile General Purpose Crusher

A versatile entry-level jaw crusher suitable for a wide range of applications across many industries.

The JC1000 is a simple medium duty general purpose crusher that accepts samples up to 85 mm in size.

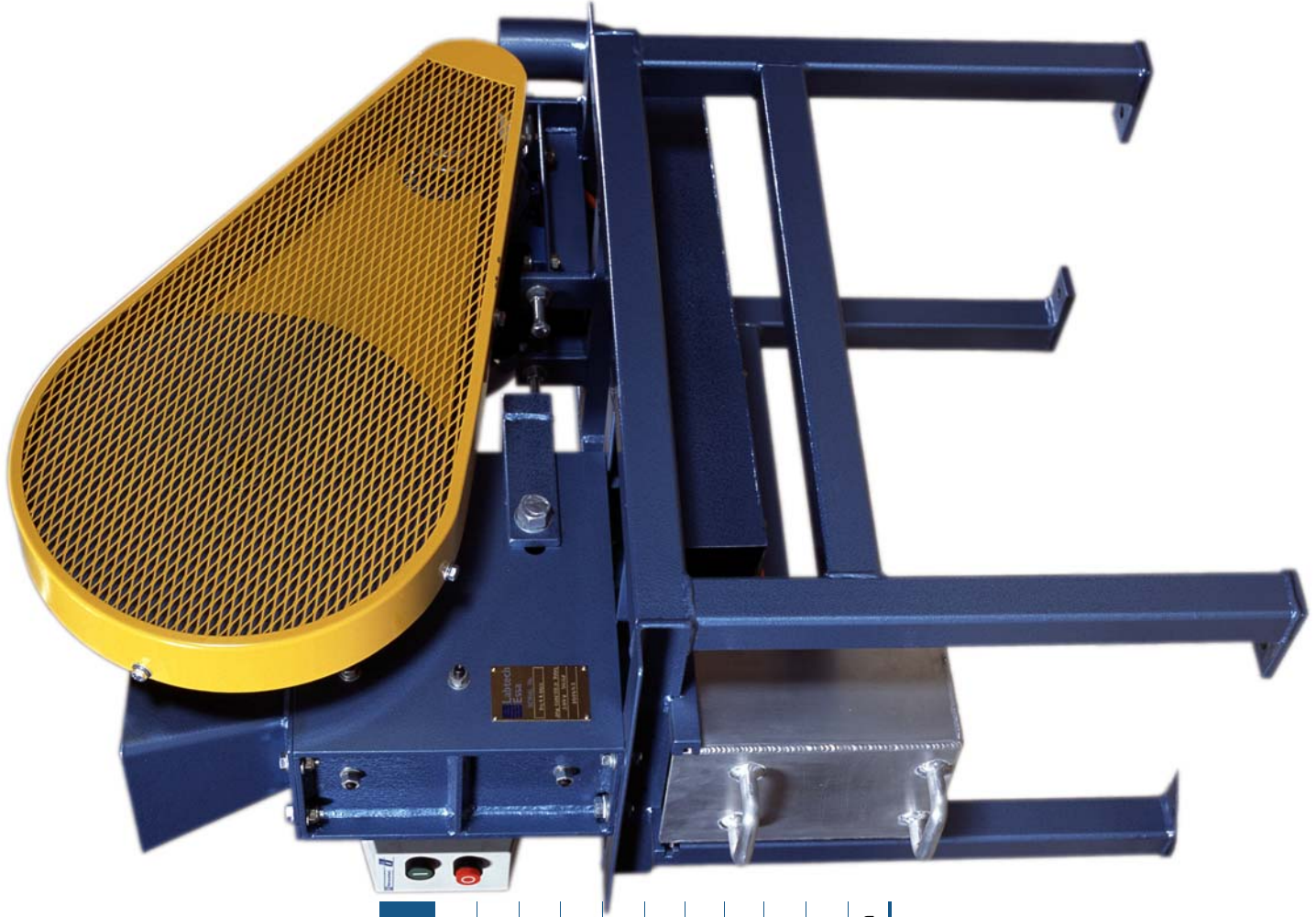
### Features and Benefits

- ▶ **General purpose crushing:** 130 mm x 100 mm jaw opening accepts input feed size up to 85 mm, suitable for a variety of sample types.
- ▶ **Increased productivity:** high reduction ratio, with 6 mm product size, provides faster and more efficient crushing with reduced process stages.
- ▶ **Increased availability:** designed with a mechanically simple single toggle that is reliable and easy to maintain and repair.
- ▶ **Ergonomically designed:** mounted on a sturdy floor stand the crusher is fitted with a feed hopper and easily accessible aluminium sample drawer.
- ▶ **Enhanced operator health:** a dust extraction point removes airborne dust improving the operating environment and reducing sample contamination.
- ▶ **Improved quality:** easy and fast jaw gap adjustment provides good control of product sizing while minimising maintenance downtime.
- ▶ **Ready to go:** fitted with control box featuring simple stop/start button and motor protection.
- ▶ **Reduced operating/spares cost:** extended wear part life with reversible fixed and moving jaw plates.
- ▶ **Improved analytical outcomes:** jaw plates made from hard wearing chrome steel further reducing sample contamination.



- ▶ **Decreased downtime and maintenance costs:** long life roller bearings exhibit reliability at high load capacity.
- ▶ **Improved safety:** full drive guarding enhances personal safety and complies with client OH&S standards.
- ▶ **High level motor protection:** IP65 rated electric motor is totally protected against dust ingress and against low pressure water jets from any direction.

essa



Technical Data	
Jaw Inlet	130 mm x 100 mm
Maximum Feed Size	85 mm (85% of jaw inlet)
Usual Product Size	6 mm
Maximum Product Size	25 mm
Throughput at Usual Product Size	250 kg/h
Motor Power	2.2 kW, 3 phase
Toggle Speed	350 strokes per minute
Dust Extraction Points	One
Dust Extraction Flow	150 L/s
Mass	250 kg
Dimensions (length x width x height)	1115 mm x 485 mm x 1180 mm

*Please note that the figures quoted above are nominal only performance expectations that can vary according to the physical characteristics of the material being prepared, the condition of the equipment, the gap adjustment and the method of feeding the crusher.*

# Jaw Crusher Model JC2000

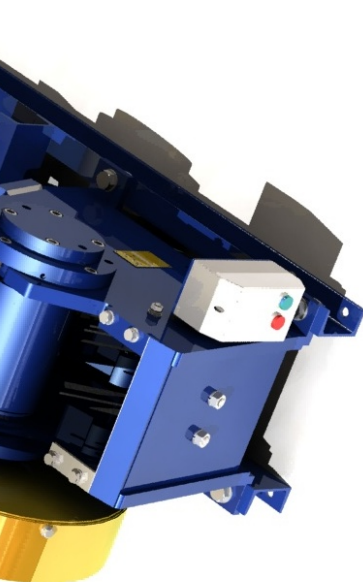
Heavy Duty, General Purpose  
200 mm x 130 mm Jaw Crusher



## Sturdy Workhorse

A dependable and hard wearing jaw crusher that finds general application in a variety of laboratory environments. The JC2000 is a sturdy “workhorse” engineered to be the industry standard crusher for the geochemistry laboratory.

## Features and Benefits

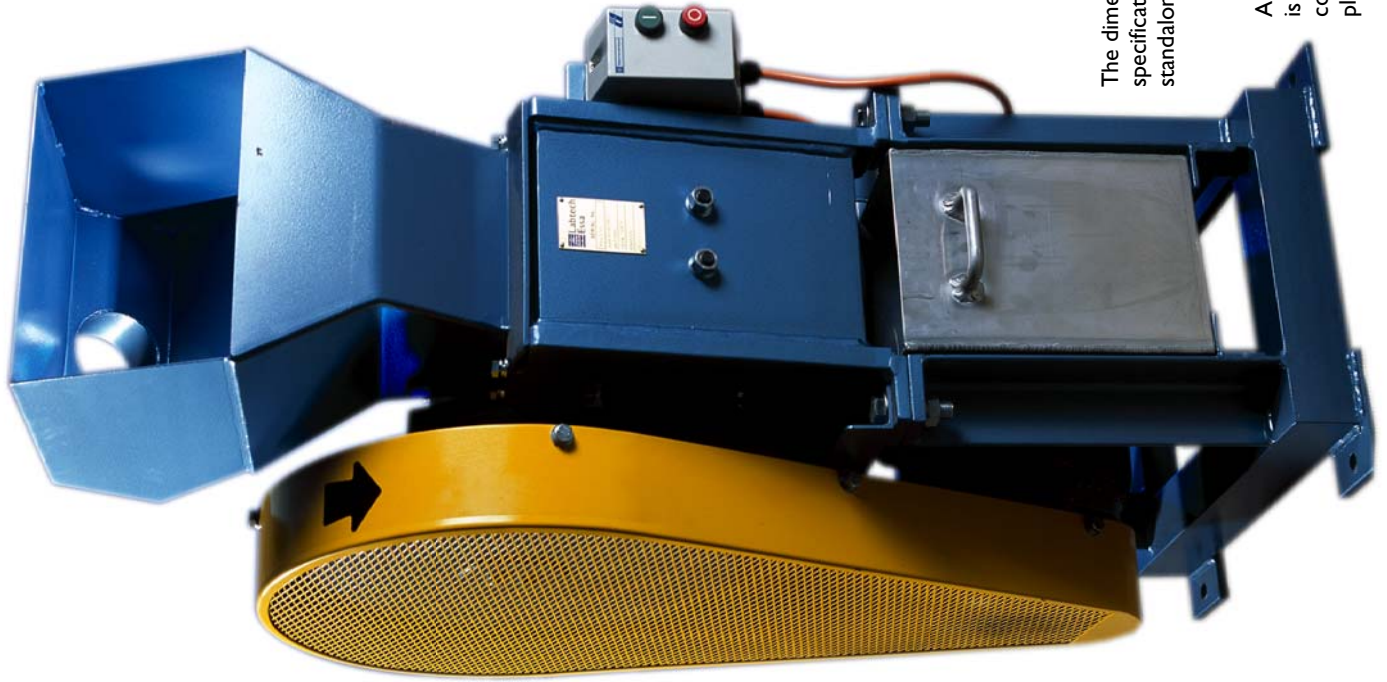
- ▶ **Reduced capital cost:** flexibility of use allows for continuous or batch use in laboratory, field, sampling station and plant applications.
  - ▶ **Exploration and grade control sample crushing:** 200 mm x 130 mm jaw opening accepts large input feed size up to 110 mm, suitable for a variety of drill core, rock chip and grab samples.
  - ▶ **Increased productivity:** very high reduction ratio, with 6 mm product size, provides faster and more efficient crushing with reduced process stages.
  - ▶ **High throughput:** rapid and powerful crushing at 500 kg per hour throughput.
  - ▶ **Increased availability:** designed with a mechanically simple single toggle that is reliable and easy to maintain and repair.
  - ▶ **Ergonomically designed:** fitted with feed hopper and easily accessible aluminium sample drawer.
  - ▶ **Enhanced operator health:** two dust extraction points remove airborne dust at the feed hopper and sample drawer improving the operating environment and reducing sample contamination.
  - ▶ **Improved quality:** easy and fast jaw gap adjustment provides good control of product sizing while minimising maintenance downtime.
  - ▶ **Ready to go:** fitted with control box featuring simple stop/start button and motor protection.
- 
- ▶ **Flexibility of installation:** available in upright standalone or low profile configuration (pictured above)
  - ▶ **Reduced operating/spares cost:** extended wear part life with reversible and interchangeable jaw plates.
  - ▶ **Improved quality:** jaw plates made from hard wearing chrome steel further reducing sample contamination.
  - ▶ **Decreased downtime and maintenance costs:** long life roller bearings exhibit reliability at high load capacity.
  - ▶ **Improved safety:** full drive guarding enhances personal safety and complies with client OH&S standards.
  - ▶ **High level motor protection:** IP65 rated electric motor is totally protected against dust ingress and against low pressure water jets from any direction.

essa

### Technical Data

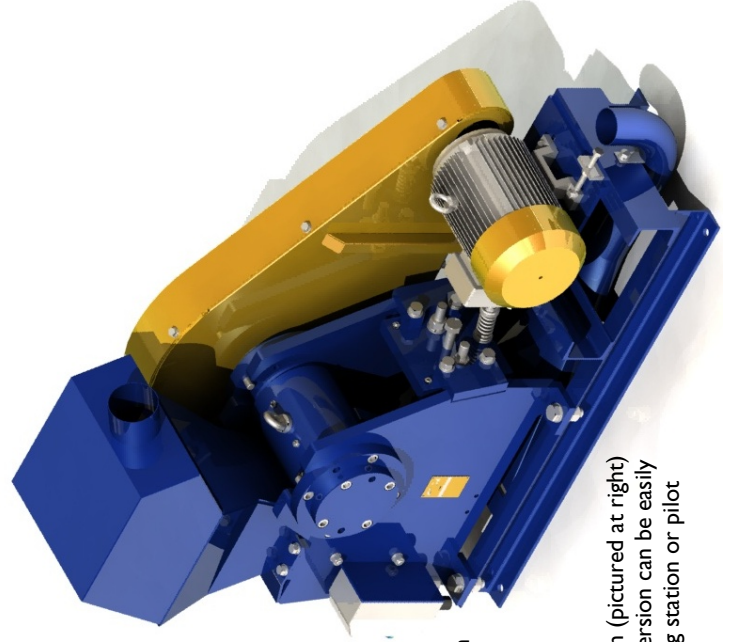
Jaw Inlet	200 mm x 130 mm
Maximum Feed Size	110 mm (85% of jaw inlet)
Usual Product Size	6 mm
Maximum Product Size	35 mm
Throughput at Usual Product Size	500 kg/h
Motor Power	4 kW, 3 phase
Toggle Speed	300 strokes per minute
Dust Extraction Points	Two
Dust Extraction Flow	170 L/s
Mass	575 kg
Dimensions (length x width x height)	745 mm x 560 mm 1440 mm

Please note that the figures quoted above are nominal only performance expectations that can vary according to the physical characteristics of the material being prepared, the condition of the equipment, the gap adjustment and the method of feeding the crusher.



The dimensions, mass and dust extraction specifications above relate to the upright standalone version pictured to the left.

A low profile bench-mount version (pictured at right) is also available. This low profile version can be easily configured to operate in a sampling station or pilot plant application.



-  Sample Preparation
-  Sampling
-  Automation
-  Metallurgical
-  Laboratory
-  Particle Sizing

Intelligent Solutions  
 to Mineral Sampling,  
 Preparation and  
 Testing

# CHANCADOR DE MANDIBULAS JC2500

## Chancador de Mandíbulas JC2500 LABTECH ESSA Fabricación australiana

Este chancador ha sido diseñado para reducir la granulometría de una muestra, obteniendo un producto cercano a malla 10 Tyler (1.7 mm.) en un sólo paso, rápidamente y con el mínimo de mantenimiento.

Rendimiento típico: Cuarzo de 40 mm. a 85% menos 10 mallas a razón de 1.4 Kg. por minuto.

Diseño compacto de fácil mantenimiento.

Completamente montado en rodamientos.

Marco fabricado en acero de alta resistencia.

Apoyo al piso de goma (no requiere pernos de anclaje).

Tolva de alimentación con tapa abisagrada, y sello de goma.

Conexión para extractor de polvo.

Construcción con encerramiento antipolución.

Punto único de lubricación para centralizar el engrase manual o para agregar un dispensador automático de engrase (opcional).  
Botonera de partida, cubre motor y circuito eléctrico con protección IP55.

Protección para todas las piezas móviles.

Corazas intercambiables y reversibles de acero antiabrasivo.

Rápido y fácil ajuste del tamaño del producto.



### CARACTERISTICAS

Motor	: 7,5 Kw/ 3 ph/ 380 V/ 50 Hz
Boca de alimentación	: 250 x 130 mm
Tamaño máx. alimentación	: 4"
Salida	: Hasta 85% bajo 10 mallas Tyler 10

Equipo sujeto a modificaciones o cambios técnicos



Labtech Hebro Ltda.



Labtech Hebro Ltda.  
Paula Jaraquemada 1553, Renca  
Santiago, Chile

Fono : (56) 2 2331 2000

Fax : (56) 2 2208 9569

e-mail : [ventas@hebrolab.cl](mailto:ventas@hebrolab.cl) / [ventas1@hebrolab.cl](mailto:ventas1@hebrolab.cl)

# CHANCADOR DE MANDIBULAS

## Chancador de Mandíbulas HEBRO Fabricación Chilena

Este chancador ha sido diseñado para reducir una muestra con granulometría de hasta 4", obteniendo hasta un 85% bajo #10 (1,7mm), en una sola pasada.

También se puede utilizar como chancador primario, obteniendo un producto cercano a ½" con el setting a su máxima abertura.

- Su diseño es compacto y de fácil mantenimiento.
- Completamente montado en rodamientos para trabajo pesado, de la más alta calidad.
- Marco fabricado en acero de alta resistencia.
- Apoyos de goma absorben las vibraciones y no requiere anclaje al piso.
- Alimentación controlada.
- Encerramiento antipolvo y ducto de conexión para extractor de polvo.
- Lubricación centralizada en regleta.
- Protección en todas las piezas móviles
- Botonera de control con horómetro y parada de emergencia en tablero con protección IP55
- Fácil y rápido ajuste del setting ( #10 a ½")
- Corazas principales intercambiables y reversibles

Opcionales: Divisor Rotatorio acoplable al equipo  
Harnero para clasificación antes de chancado



### CARACTERÍSTICAS

<b>Motor</b>		<b>: 10 HP /3 Ph /380 V / 50 Hz</b>
<b>Boca de Alimentación</b>		<b>: 230 x 110 mm</b>
<b>Tamaño Máximo de Alimentación</b>		<b>: 4"</b>
<b>Rendimiento</b>	<b>Cuarzo 3"</b>	<b>: 4kg/min 85% malla #10 (set a 2mm)</b>
	<b>Cuarzo 3"</b>	<b>: 14kg/min 95% malla ¼" (set a 6mm)</b>
	<b>Cuarzo 3"</b>	<b>: 24kg/min 98% malla ½" (set a 12mm)</b>

Equipo sujeto a modificaciones o cambios técnicos



Labtech Hebro Ltda.



Labtech Hebro Ltda..

Paula Jaraquemada 1553, Renca

Santiago, Chile

Fono : (56) 2 2331 2000 Fax : (56) 2 2208 9569

e-mail : [ventas@hebrolab.cl](mailto:ventas@hebrolab.cl); [ventas1@hebrolab.cl](mailto:ventas1@hebrolab.cl)

# CHANCADOR DIVISOR HARNERO

## Chancador Divisor + Harnero Fabricación Chilena



Este sistema corresponde al Chancador HEBRO tradicional al cual se le agregan los opcionales divisor rotatorio y/o harnero.

Este sistema separa el fino (bajo malla #10) antes del ingreso al chancador y lo envía directamente al divisor rotatorio. El producto chancado será trasladado también al divisor rotatorio mediante un alimentador de correa de velocidad variable. Este divisor con rechazo cuenta con 4 capachos AISI304 de 1/10 (corte del 10%).

Al ser opcionales independientes, se puede prescindir de uno de ellos y optar por ejemplo a sólo la opción Chancador - Divisor



Labtech Hebro Ltda.



Labtech Hebro Ltda.

Paula Jaraquemada 1553, Renca  
Santiago, Chile

Fono : (56) 2 2331 2000 Fax : (56) 2 2208 9569

e-mail : [ventas@hebrolab.cl](mailto:ventas@hebrolab.cl); [ventas1@hebrolab.cl](mailto:ventas1@hebrolab.cl)



## SISTEMA DE CHANCADO

### Descripción General

## Labtech Hebro Ltda.



### LÍDER EN EQUIPOS Y ACCESORIOS PARA EL MUESTREO Y PREPARACIÓN DE MUESTRAS

Labtech Hebro Ltda.

Paula Jaraquemada 1553, Renca  
Santiago, Chile

Fono: (562) 2331 2000

Fax: (562) 2208 9569

[ventas@hebrolab.cl](mailto:ventas@hebrolab.cl)

[ventas1@hebrolab.cl](mailto:ventas1@hebrolab.cl)

[www.labtechhebro.cl](http://www.labtechhebro.cl)

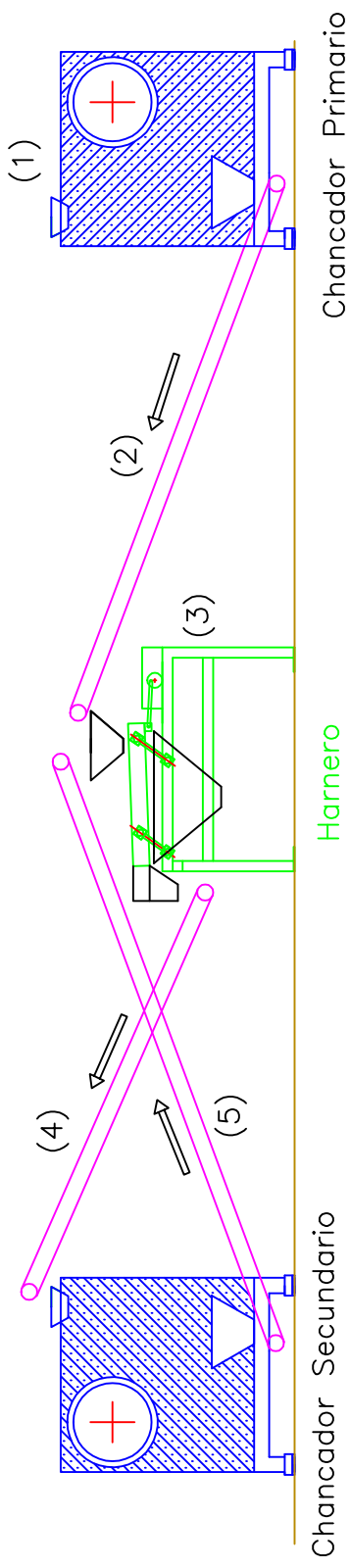
El sistema de chancado continuo Labtech Hebro tiene como objetivo la obtención de una muestra equiprobable, realizando una reducción mecánica desde un tamaño de partícula de 4" hasta un 100% malla 6, 8 o 10 sin la intervención del operario. Esto reduce significativamente los errores asociados a cada etapa del proceso de conminución, minimizando las pérdidas de muestra. Finalizado el proceso, se obtiene una muestra dividida lista para su pulverización.

El proceso comienza con un chancador primario que entrega material de un tamaño de hasta  $\frac{3}{4}$ " a un harnero en malla deseada, el producto bajo malla pasa al divisor rotatorio mientras que el sobre malla es procesado por un chancador secundario con setting deseado que regresa al harnero repitiendo el ciclo por el tiempo definido o hasta que la muestra esté completamente dividida.

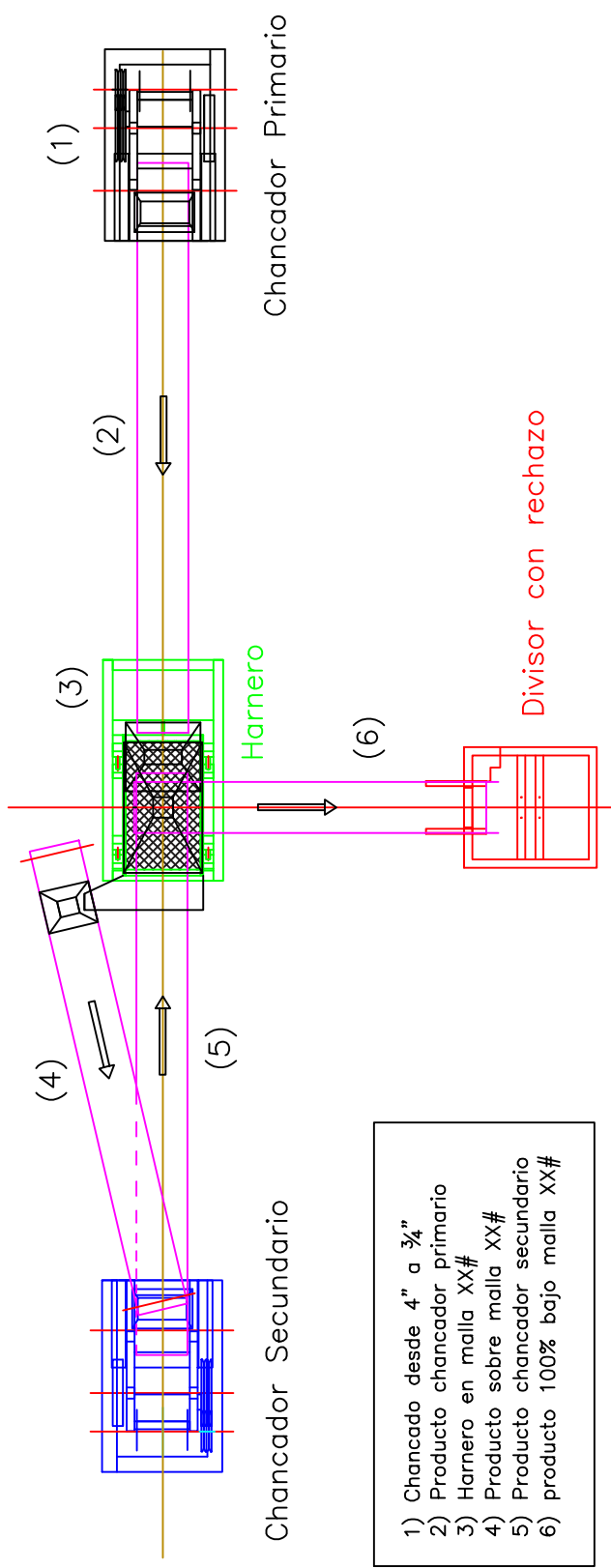
A pesar que el sistema está controlado completamente por un tablero, los equipos son independientes y pueden ser reemplazados fácilmente.

# DIAGRAMA DEL PROCESO

ELEVACION (sin divisor rotatorio)



PLANTA COMPLETA



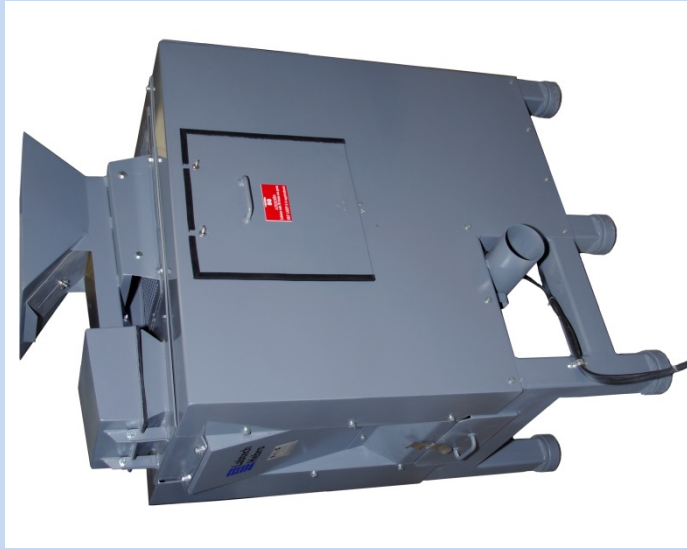
- 1) Chancado desde 4" a 3/4"
- 2) Producto chancador primario
- 3) Harnero en malla XX#
- 4) Producto sobre malla XX#
- 5) Producto chancador secundario
- 6) producto 100% bajo malla XX#



## COMPONENTES

### CHANCADORES

Equipo diseñado para obtener granulometrías desde 4" hasta 85% bajo malla 10# en una sola pasada



Tanto el primario como el secundario son máquinas Chancador HEBRO; un equipo robusto, compacto y de fácil mantenimiento.

El marco es fabricado en acero de alta resistencia y sus apoyos de goma absorben las vibraciones por lo que no requiere anclaje al piso. El chancador además cuenta con un ducto de conexión para extractor de polvo y lubricación centralizada en regleta.

Su tablero de control con protección IP55 incluye horómetro y parada de emergencia.

Para más información, consultar ficha técnica Chancador HEBRO.

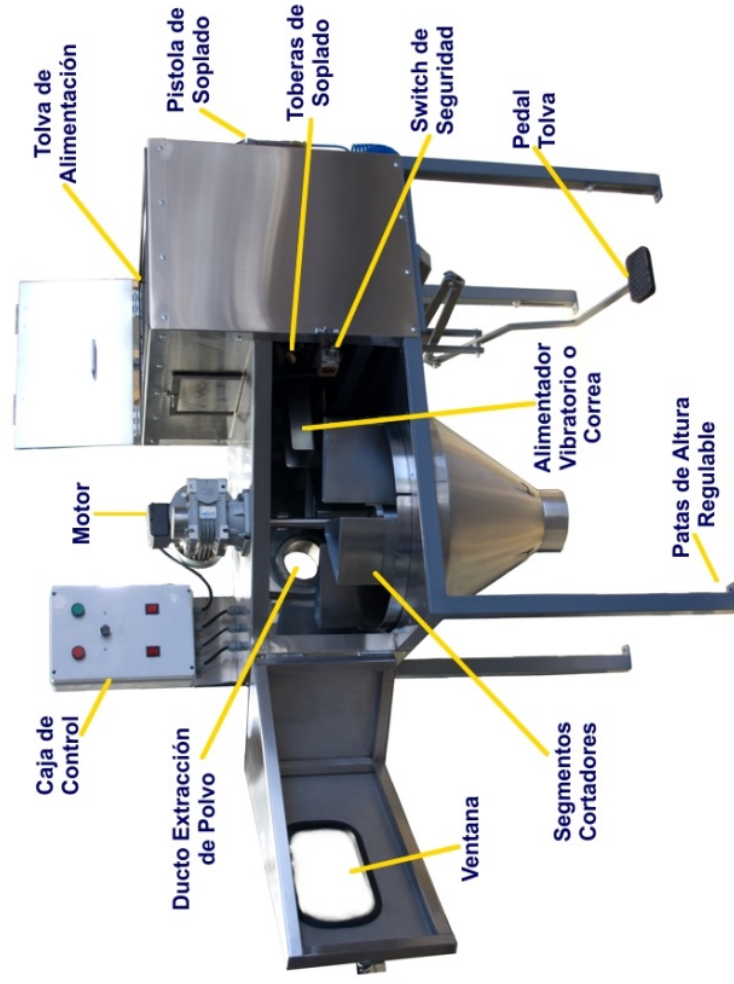
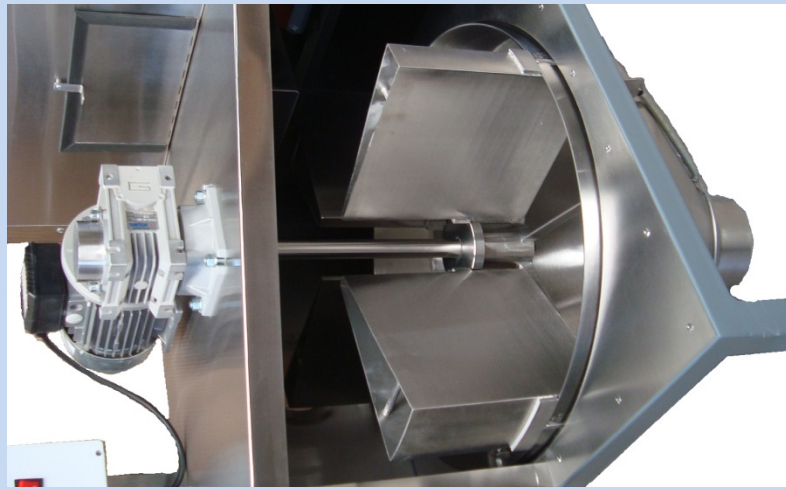
Especificaciones	
Motor	10HP/3Ph/380V/50Hz
Boca Alimentación	230mm x 130mm
Tam. Máx. Alimentación	4"
Rendimiento	
Cuarzo 3"	4Kg/min 85% bajo malla #10
Cuarzo 3"	14Kg/min 95% bajo malla 1/4"
Cuarzo 3"	25Kg/min 98% bajo malla 1/2"

Divisor rotatorio con rechazo estándar de 10 litros.  
Representa el final del sistema y cuenta con dos cortadores de 5% y dos cortadores de 10% en acero inoxidable calidad AISI 304.

## COMPONENTES

### DIVISOR ROTATORIO DE MUESTRAS CON RECHAZO

Equipo diseñado para obtener un porcentaje específico del total de la muestra





---

## COMPONENTES

---

### HARNERO CONTINUO HEBRO

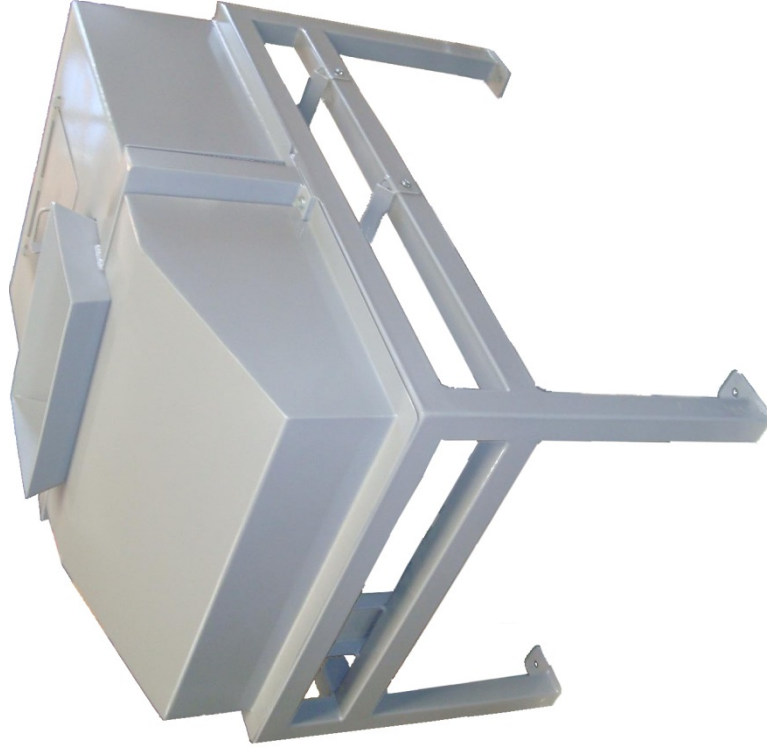
---

Harnero continuo selecciona el producto que será posteriormente dividido.



Harnero continuo de movimiento horizontal con malla 10#, que separa el fino, mientras que el sobre malla continúa en ciclo para su fragmentación.

El equipo está fabricado en acero al carbono pintado con anticorrosivo y esmalte. Cuenta con una tolva de descarga de acero inoxidable con aristas redondeadas para evitar acumulación de la muestra.



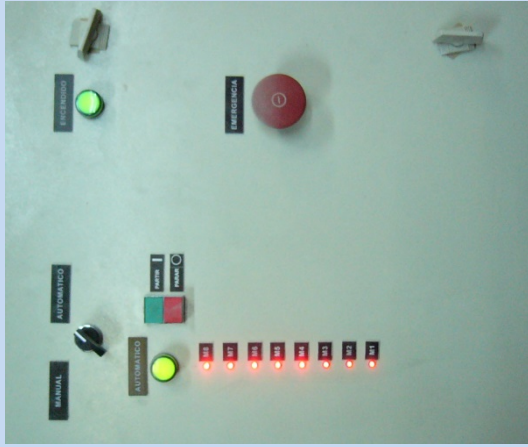


## COMPONENTES

### TABLERO DE CONTROL Y CORREAS TRANSPORTADORAS

Sistema secuencial para el accionamiento de los equipos

Correas encapsuladas para evitar polvo y pérdida de material



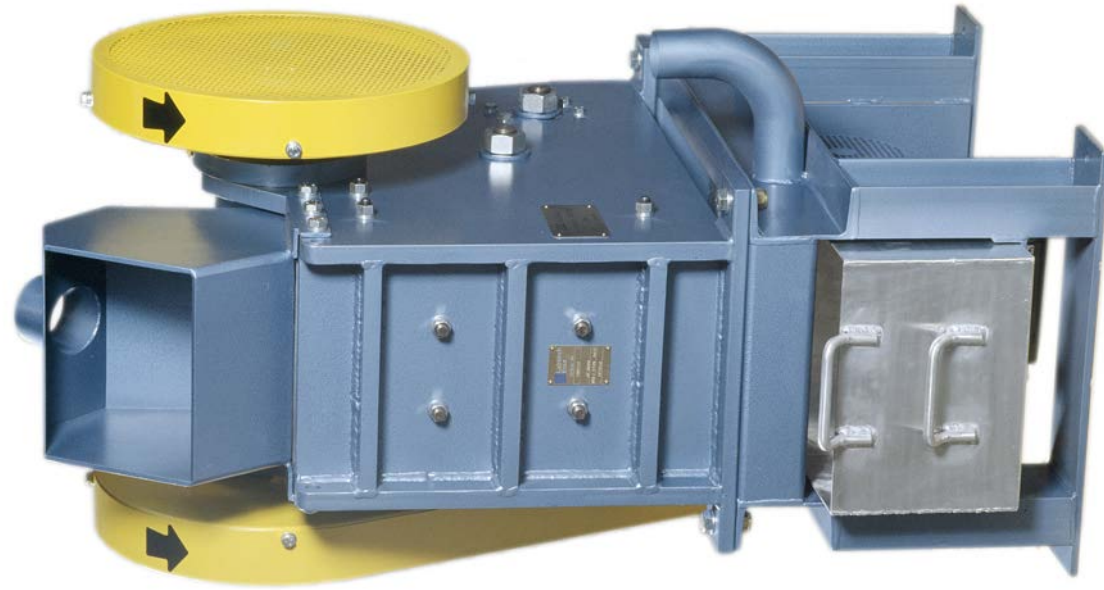
El sistema de chancado cuenta con cuatro correas transportadoras de velocidad variable independientes y banda encapsulada para evitar pérdida de muestra.

Todo el sistema está controlado por un tablero IP55 sellado resistente al polvo y humedad. El control contempla que tanto el accionamiento como la detención de los equipos se realicen de manera secuencial para asegurar que toda fracción de la muestra complete el recorrido.



# Jaw Crusher Model JC3000

A Heavy Duty, General Purpose  
300mm x 200mm Jaw Crusher



## Well Proven, High Reduction Primary Jaw Crusher

The Essa Australia Model JC3000 is a well proven single toggle, high reduction jaw crusher that finds general application in a variety of operating environments. It readily accepts soft to very hard ore, drill core, rock and similar particulate up to 85% of its jaw opening.

This a heavy duty, low maintenance machine suitable for use in a large batch or continuous operating environment. Typical applications will include general primary crushing of lump ore in analytical and metallurgical laboratories, sampling stations and pilot plants

## Standard Features

- Rugged, fabricated steel construction
  - Roller bearings used throughout
  - Electric pre-wiring with an IP55 enclosed stop/start and motor protection station
  - Feed hopper and sample drawer with dust extraction points
- OR
- Fabricated steel base for mounting on customer's support frame or concrete footing
  - Full drive guarding
  - Vertically serrated chrome steel jaw plates
  - Jaw plates are reversible for extended life

## Technical Data

Jaw Inlet	300mm x 200mm
Maximum Feed Size	170mm i.e. 85% of jaw inlet
Usual Product Sizing	Nominally 25mm (but ranges from 10mm to 40mm)
Maximum Product Size	Nominally 50mm
Throughput	3,000kg to 8,000kg per hour
Dust Extraction Points	Two (2)
Dust Extraction Flow	270 litres per second (180L/sec upper point and 90L/sec lower point)
Electrical Requirements (3 phase)	7.5kW
Toggle Speed	350rpm
Approximate Mass	1,165kg

Please note that the figures quoted above are nominal only performance expectations that can vary according to the physical characteristics of the material being prepared, the condition of the equipment, the gap adjustment and the method of feeding the crusher. Essa Australia are able to conduct tests at their workshop to determine how the sample preparation equipment will perform when processing your material.

**essa**

[www.essa.com.au](http://www.essa.com.au)

Essa Australia Limited, PO Box 362, Belmont, WA 6984 AUSTRALIA

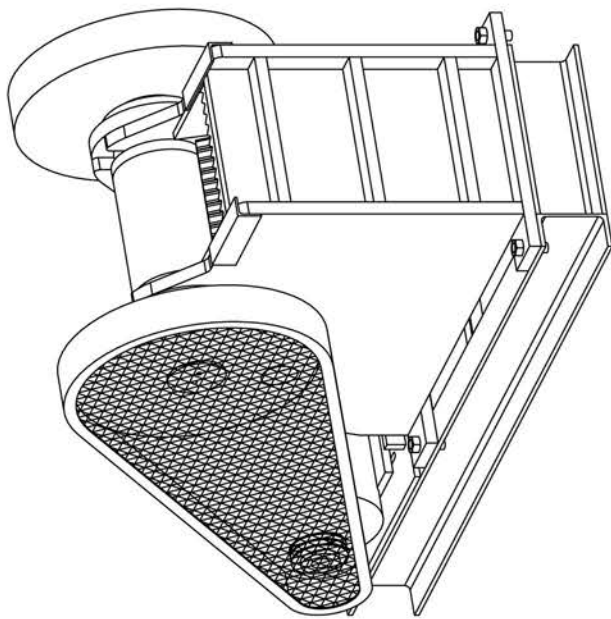
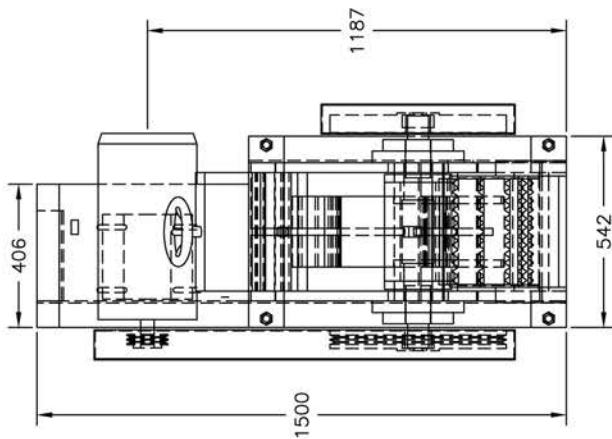
phone +61 9475 3000 fax +61 8 9477 3544 email mail@essa.com.au



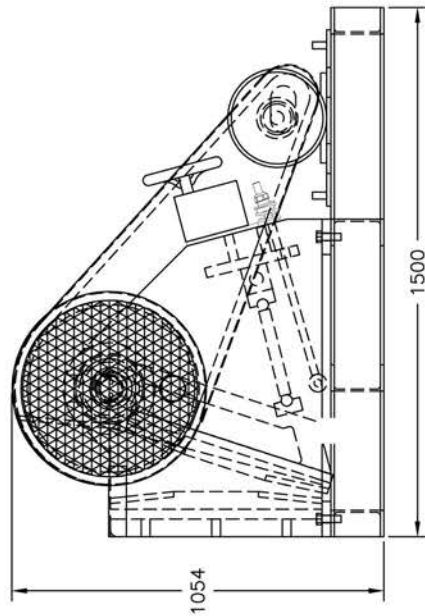
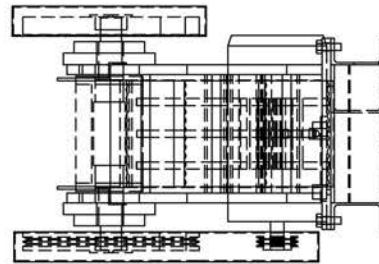
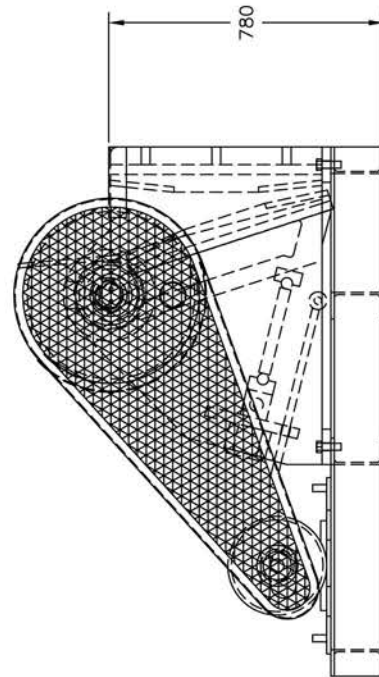


Typical JC3000 configuration for stand alone analytical or metallurgical laboratory use

Approximate overall dimensions are 800mm wide x 1020mm deep x 1550mm high



Typical JC3000 configuration for continuous use such as in mechanical sampling stations or pilot plants



# Jaw Crusher Model JC5000

Sturdy, Hard Wearing  
300 mm x 500 mm Plant Jaw Crusher

## Robust and Dependable

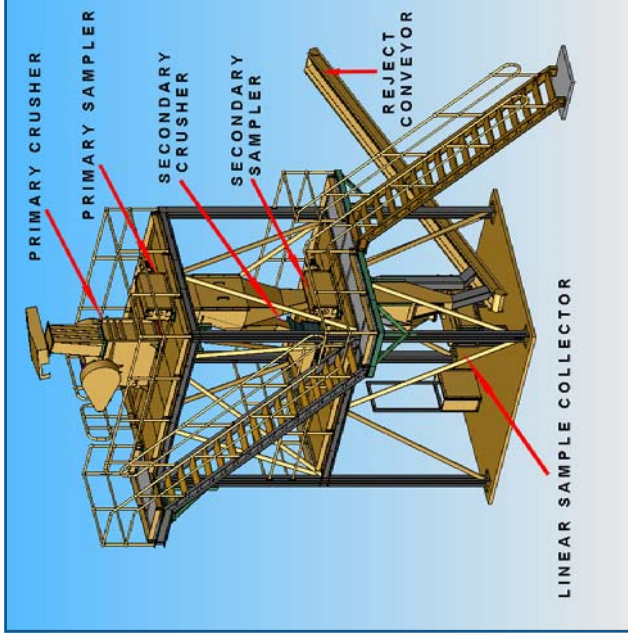
A robust and dependable high-capacity jaw crusher suitable for large laboratory and plant applications. The JC5000 is the largest model in Essa range of proven and reliable heavy-duty jaw crushers.

The JC5000 finds general application in a variety of operating environments. It readily accepts soft to very hard ore, rock and large industrial particulate up to 85% of its 300 mm x 500 mm jaw opening.

This is a heavy duty machine suitable for use in a continuous or large batch operating environment. Typical applications will include primary crushing of large lump ore in sampling stations and pilot plants, the pre-crushing of materials being prepared for analytical or metallurgical laboratory use and in industrial production facilities.

## Features and Benefits

- ▶ **Reduced capital cost:** flexibility of use allows for continuous or batch use in laboratory and plant applications.
- ▶ **Primary crushing application:** 500 mm x 300 mm jaw opening accepts large input feed size up to 250 mm.
- ▶ **Increased productivity:** high reduction ratio, with 30 mm product size, results in faster and more efficient crushing with reduced process stages.
- ▶ **High throughput:** fast and powerful crushing at 15 tonnes per hour throughput.
- ▶ **Increased availability:** designed with a mechanically simple single toggle that is reliable and easy to maintain and repair.
- ▶ **Improved quality:** easy and fast jaw gap adjustment provides good control of product sizing while minimising downtime and labour service requirements.



The JC5000 is ideally suited to handle the primary crushing of large lump ore in sampling stations



- ▶ **Multi-purpose use:** installation flexibility allows for use in multiple applications and operating environments.
- ▶ **Reduced operating/spares cost:** extended wear part life with reversible and interchangeable jaw plates.
- ▶ **Decreased downtime and maintenance costs:** long life roller bearings exhibit reliability at high load capacity.
- ▶ **Improved safety:** full drive guarding enhances personal safety and complies with client OH&S standards.
- ▶ **High level motor protection:** IP65 rated electric motor is totally protected against dust ingress and against low pressure water jets from any direction.

essa



The Model JC5000 is the largest model in Essa range of proven and reliable heavy-duty jaw crushers.

Shown here in Essa's Perth workshop next to the Model JC3000 jaw Crusher (left of picture).

### Technical Data

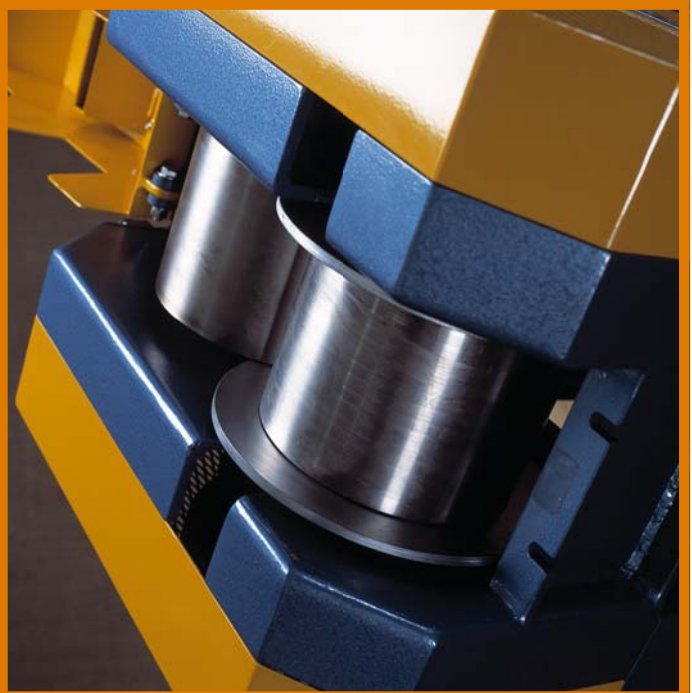
Jaw Inlet	500 mm x 300 mm
Maximum Feed Size	250 mm (85% of jaw inlet)
Usual Product Size	30 mm
Maximum Product Size	75 mm
Throughput at Usual Product Size	15,000 kg/h
Motor Power	22 kW, 3 phase
Toggle Speed	325 strokes per minute
Dynamic Loading - Vertical	+/- 8.34 kN
Dynamic Loading - Horizontal	+/- 1.87 kN
Dynamic Frequency	5.42 Hz
Dust Extraction Points	Zero
Dust Extraction Flow	n/a
Mass	3,500 kg
Dimensions (length x width x height)	1,190 mm x 765 mm x 1,370 mm

Please note that the figures quoted at left are nominal only performance expectations that can vary according to the physical characteristics of the material being prepared, the condition of the equipment, the gap adjustment and the method of feeding the crusher.



# Rolls Crusher Model RC2000

Laboratory Compression Type Crusher  
with 2 x 200 mm Rolls



## Robust and Reliable Mid-Range Crusher

A rugged, low maintenance mid-range secondary crusher designed for rapid, controlled size reduction of various sample types.

The RC2000 is the smaller of the two Essa model rolls crushers and is ideally suited to laboratory applications.

### Features and Benefits

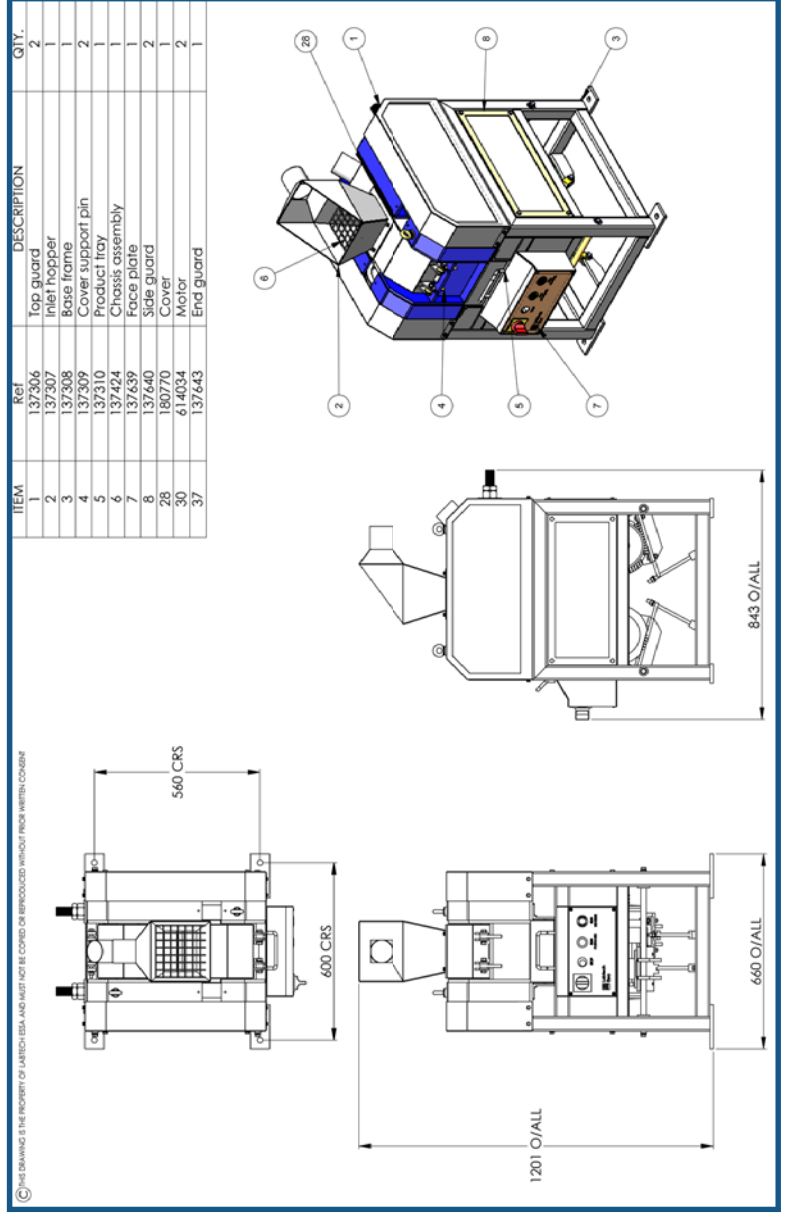
- ▶ **Ease of installation:** compact floor mount standalone configuration with small footprint.
- ▶ **Improved quality:** contra-rotating rolls produce material with a tight size envelope containing a minimum of fines. This results in consistent quality, accurate size distribution and reduced dust generation.
- ▶ **Enhanced operator safety:** feed hopper fitted with mesh guarding to prevent hands entering crushing chamber. A dust extraction point removes airborne dust improving the operating environment and reducing sample contamination.
- ▶ **Increased availability:** one roll is designed with a heavy duty spring mount to protect against uncrushable material entering between the rolls.
- ▶ **Ready to go:** fitted with control box featuring simple stop/start button and motor protection.
- ▶ **High level motor protection:** two IP65 rated electric motors are totally protected against dust ingress and against low pressure water jets from any direction.
- ▶ **Ergonomically designed:** mounted on a sturdy floor stand the crusher is fitted with a feed hopper and easily accessible aluminium sample drawer.
- ▶ **Reduced operating/spares cost:** easily replaceable steel roll shells and side plates.
- ▶ **Versatility of use:** plain or toothed rolls suit a range of feed materials.
- ▶ **Improved safety:** full drive guarding enhances personal safety and complies with client O&H&S standards.



## Technical Data

Roll Diameter	200 mm
Roll Length	150 mm
Standard Roll Face	Smooth
Maximum Feed Size	30 mm
Optimum Reduction Ratio	4:1
Usual Product Size	1 mm
Throughput at Usual Product Size	Dependant on gap setting
Roller Speed	380 rpm
Motor Power	2 x 1.1 kW
Dust Extraction Points	One
Dust Extraction Flow	170 L/s
Mass	350 kg
Dimensions (length x width x height)	843 mm x 660 mm x 1,201 mm

Please note that the figures quoted at left are nominal only performance expectations that can vary according to the physical characteristics of the material being prepared, the condition of the equipment, the gap adjustment and the method of feeding the crusher.





# Rolls Crusher Model RC3000

Heavy Duty Laboratory and Plant  
Crusher with 2 x 350 mm Rolls

## Sturdy Mid-Range Crusher Engineered to Suit a Range of Applications

A dependable and sturdy mid-range secondary crusher designed for rapid, controlled size reduction of various sample types.

The RC3000 is the larger of the two Essa model rolls crushers and can be configured to suit a range of applications.

### Benefits and Features

- ▶ **Reduced capital cost:** flexibility of use allows for continuous or batch use in laboratory and plant applications.
- ▶ **Flexibility of installation:** available in floor mount standalone or low profile bench mount and flow through process plant configurations.
- ▶ **Improved quality:** contra-rotating rolls produce material with a tight size envelope containing a minimum of fines resulting in consistent quality, accurate size distribution and reduced dust generation.
- ▶ **Enhanced operator safety:** feed hopper fitted with mesh guarding to prevent hands entering crushing chamber. A dust extraction point removes airborne dust improving the operating environment and reducing sample contamination.
- ▶ **Increased availability:** one roll is designed with a heavy duty disc spring mount to protect against uncrushable material entering between the rolls.
- ▶ **Ready to go:** fitted with control box featuring simple stop/start button and motor protection.
- ▶ **High level motor protection:** two IP65 rated electric motors are totally protected against dust ingress and against low pressure water jets from any direction.



Rolls Crusher, Model RC3000 shown here configured for continuous use such as in mechanical sampling plants, automated laboratories or pilot plants. The floor mount standalone version is pictured below left.

- ▶ **Ergonomically designed:** mounted on a sturdy floor stand the standalone model is fitted with a feed hopper and easily accessible aluminium sample drawer.
- ▶ **Reduced operating/spares cost:** easily replaceable steel roll shells and side plates.
- ▶ **Versatility of use:** plain or toothed rolls suit a range of feed materials.
- ▶ **Improved safety:** full drive guarding enhances personal safety and complies with client OH&S standards.



## Technical Data

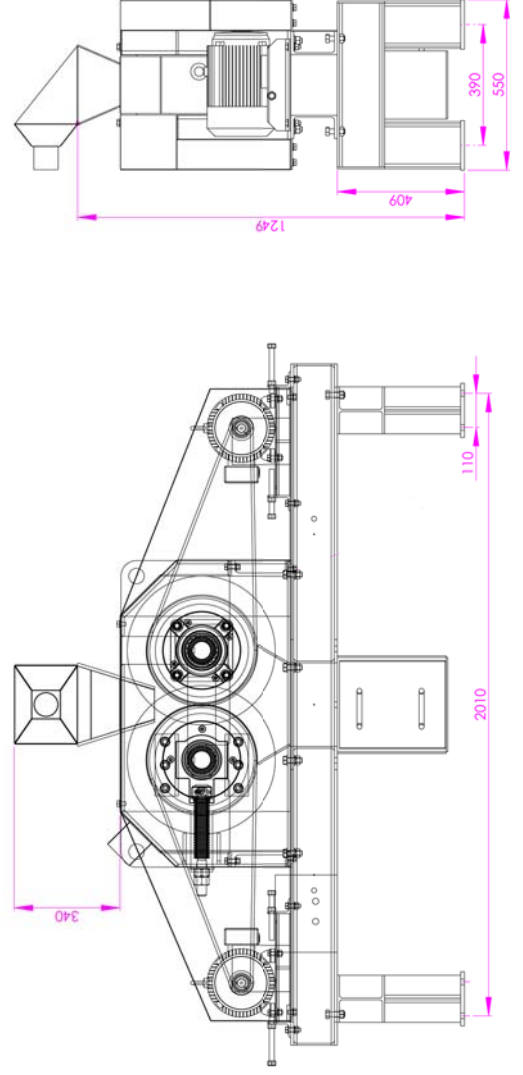
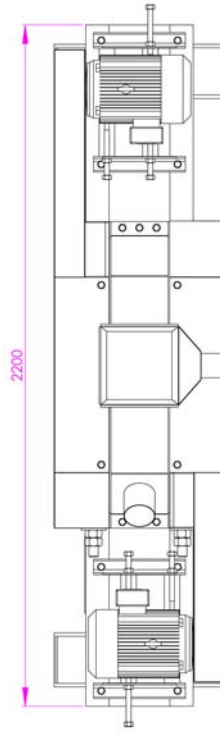
Roll Diameter	350 mm
Roll Length	150 mm
Standard Roll Face	Smooth (toothed also available)
Maximum Feed Size	40 mm
Optimum Reduction Ratio	4:1
Usual Product Size	1 mm
Throughput at Usual Product Size	Dependant on gap setting
Roller Speed	300 rpm
Motor Power	2 x 4.0 kW
Dust Extraction Points	One
Dust Extraction Flow	170 L/s
Mass	1,200 kg
Dimensions	2,200 mm x 550 mm x 1,250 mm



Increased availability: one roll is designed with a heavy duty disc spring mount to protect against uncrushable material entering between the rolls (shown here at right).

Please note that the figures quoted above relate the floor mount standalone version (drawing at right).

They are also nominal only performance expectations that can vary according to the physical characteristics of the material being prepared, the condition of the equipment, the gap adjustment and the method of feeding the crusher.



# essa

Essa Australia Limited  
PO Box 362  
Belmont WA 6984  
AUSTRALIA  
tel +61 8 9475 3000  
fax +61 8 9477 3544  
email mail@essa.com.au

www.essa.com.au

Distributor:

Sample Preparation

Sampling

Automation

Metallurgical

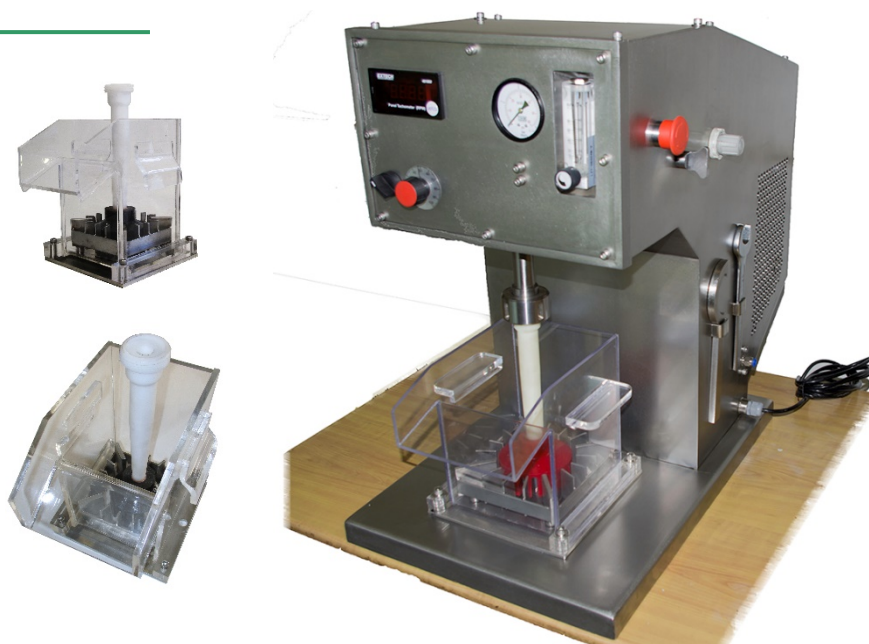
Laboratory

Particle Sizing

Intelligent Solutions  
to Mineral Sampling,  
Preparation and  
Testing

# MAQUINA DE FLOTACION HEBRO

## Máquina de Flotación de laboratorio HEBRO Fabricación Chilena



### Incluye:

Tacómetro digital, control de velocidad, medidor de flujo de aire, regulador de presión, manómetro y válvula de control de aire. Cuerpo y base de acero inoxidable.

La máquina opera con cada una de las celdas de policarbonato transparente, apropiada para visualizar la dinámica del proceso en distintas capacidades (0.50, 1.75, 3.50 y 5.0 litros), con sus respectivos impulsores y estatores.

Este equipo se caracteriza por su fácil operación y limpieza del impulsor al concluir cada prueba.

Equipo sujeto a modificaciones o cambios técnicos



Labtech Hebro Ltda.



Labtech Hebro Ltda.  
Paula Jaraquemada 1553, Renca  
Santiago, Chile  
Fono : (56) 2 2331 2000  
e-mail : [ventas@hebrolab.cl](mailto:ventas@hebrolab.cl)  
web : [www.labtechhebro.cl](http://www.labtechhebro.cl)

# MAQUINA DE FLOTACION

## Máquina de Flotación de laboratorio LABTECH ESSA Fabricación australiana

---



Incluye:

Tacómetro digital, control de velocidad, medidor de flujo de aire, regulador de presión, manómetro y válvula de control de aire. Cuerpo y base de acero inoxidable.

La máquina opera con cada una de las celdas de policarbonato transparente, apropiada para visualizar la dinámica del proceso en distintas capacidades (0.50, 1.75, 3.50 y 5.0 litros), con sus respectivos impulsores y estatores.

Este equipo se caracteriza por su fácil operación y limpieza del impulsor al concluir cada prueba.

---

Equipo sujeto a modificaciones o cambios técnicos



Labtech Hebro Ltda. 

Labtech Hebro Ltda.  
Paula Jaraquemada 1553, Renca  
Santiago, Chile  
Fono : (56) 2 2331 2000  
Fax : (56) 2 2208 9569  
e-mail : [ventas@hebrolab.cl](mailto:ventas@hebrolab.cl) / [ventas1@hebrolab.cl](mailto:ventas1@hebrolab.cl)

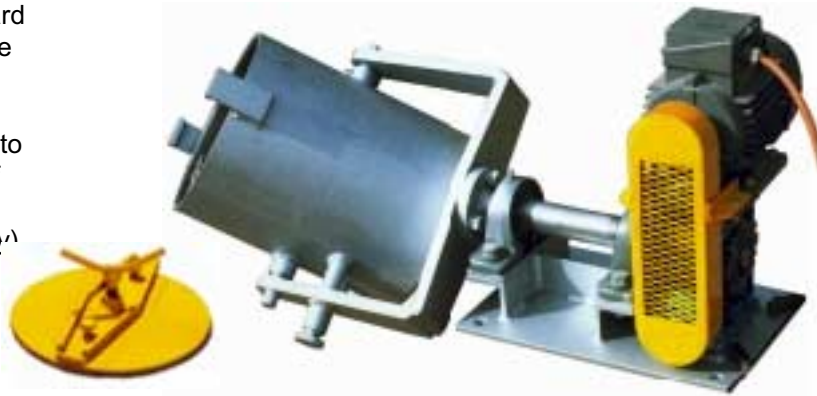
# BALL MILLS, ROD MILLS & BOND INDEX MILLS

Labtech Essa manufacture a range of metallurgical laboratory sized ball and rod mills to suit most applications. Included in the range is a Bond index mill which has specific application in establishing the grindability of ores (see sheet 2 of this data sheet)

The ball and the rod mill are of essentially the same basic concept comprising a barrel mounted in a rotating yoke assembly which is driven through a gearbox from a single phase electric motor. The barrel is pivot mounted on the rotating yoke and can be tilted for loading and discharge. A spring loaded locking pin is used to hold the barrel in its horizontal operating position. A manually operated locking mechanism ensures the removable lid of the barrel is sealed tight during operation.

The mills are supplied standard with a barrel and rotating yoke assembly and the electric motor drive; can be mounted on a flat plate for attachment to the customer's work bench if required.

(Lid shown removed for clarity)



#### AVAILABLE OPTIONS INCLUDE:

- Various barrel, ball & rod materials.
- Ball funnels.
- Ball screens
- Safety enclosure for the rotating barrel.
- Acoustic enclosures
- Barrels supplied as loose items for use on Labtech Essa bottle rollers.

#### OVERALL DIMENSIONS:

A STANDARD UNIT with ball funnel and screen is approximately 600 wide x 1100 long x 1200 high x approximately 207 kg.



*STAND-ALONE configuration  
complete with ball funnel and screen.*

#### STANDARD SIZES:

Ball mill barrel sizes	Nominal Volume
200mm dia. x 200 long	6.3 litre**
250mm dia. x 250 long	12.3 litre**
300mm dia. x 300 long	21.0 litre**
Rod mill barrel sizes	
200mm dia. x 250 long	7.8 litre**
250mm dia. x 300 long	14.7 litre**
300mm dia. x 360 long	25.4 litre**

\*\* without balls or rods. The useable volume will be approximately 40% of this figure.

# MOLINO DE BOLAS ESTANDAR

## Molino de Bolas estándar para laboratorio HEBRO Fabricación chilena

---

Fabricado en Acero Inoxidable AISI 316



### CARACTERISTICAS

**DIMENSIONES EXTERIORES:** 8" Ø x 11" largo

**OPCIONAL**

**: Carga de bolas de  
Acero forjadas.  
(10 Kg./ 1" Ø)**

Equipo sujeto a modificaciones o cambios técnicos



Labtech Hebro Ltda. **HB**

Labtech Hebro Ltda.  
Paula Jaraquemada 1553, Renca  
Santiago, Chile

Fono : (56) 2 2331 2000

Fax : (56) 2 2208 9569

e-mail : [ventas@hebrolab.cl](mailto:ventas@hebrolab.cl) / [ventas1@hebrolab.cl](mailto:ventas1@hebrolab.cl)

# MOLINO DE BOLAS AUTÓNOMO

## Molino de bolas autónomo para laboratorio HEBRO Fabricación chilena

---

Esta versión del molino de bolas, al igual que el modelo estándar (8" Ø x 11" largo, montado sobre rodillos) está fabricado en acero inoxidable AISI 316.

Está montado sobre una horquilla que pivotea permitiendo su fácil carga y descarga.

Para su operación, este modelo cuenta con velocidad variable (media de 70rpm), temporizador, enclaustramiento acústico y criba recolectora de bolas.

---



### Dimensiones:

**Del molino:** 8" Ø x 11" largo (estándar). Se pueden especificar otras dimensiones según se requiera.

**Del equipo (Aproximadas):** Altura 1.350mm, Largo 650mm y Ancho 1.150

### Otras características:

**Alimentación:** 200-240V monofásico ½HP (estándar).



**Labtech Hebro Ltda.** 

Labtech Hebro Ltda.  
Paula Jaraquemada 1553, Renca  
Santiago, Chile

Fono : (56) 2 2331 2000

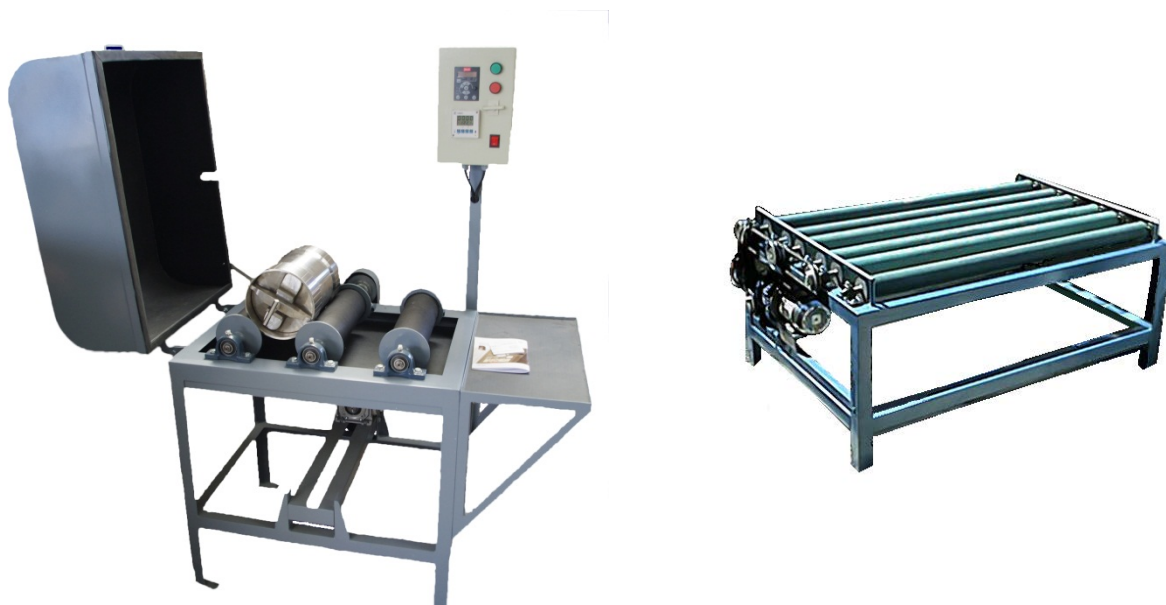
Fax : (56) 2 2208 9569

e-mail : [ventas@hebrolab.cl](mailto:ventas@hebrolab.cl) / [ventas1@hebrolab.cl](mailto:ventas1@hebrolab.cl)

# BANCO DE RODILLOS MOTRICES

## Banco de rodillos motrices HEBRO Fabricación chilena

Sistema desarrollado para el accionamiento de Molinos de Bolas, Tambores Homogenizadores de Muestra, Botellas de Cianuración y/o Lixiviación, etc.



\*Nota: Molino no incluido

### Características

Dependiendo de las necesidades del usuario, se ofrecen las siguientes alternativas:

- Velocidad constante o variable
- Dimensiones y número de rodillos
- Cubierta para protección acústica

**Equipos sujetos a modificaciones o cambios técnicos**



Labtech Hebro Ltda. **HB**

Labtech Hebro Ltda.  
Paula Jaraquemada 1553, Renca  
Santiago, Chile  
Fono : (56) 2 2331 2000  
Fax : (56) 2 2208 9569  
e-mail : [ventas@hebrolab.cl](mailto:ventas@hebrolab.cl) / [ventas1@hebrolab.cl](mailto:ventas1@hebrolab.cl)

## FILTROS DE PRESIÓN

### Filtros de Presión HEBRO, tipo Denver Fabricación chilena

Estos equipos de sobremesa están diseñados para su uso y operación en laboratorios. El filtro de presión de Labtech Hebro consiste esencialmente en un barril cilíndrico vertical que descansa sobre una tela filtrante instalada en la base inferior del equipo, donde la pulpa es cargada por el extremo superior. Luego el cilindro se sella y se inyecta aire, forzando al líquido a ser separado del contenido de sólidos, para luego ser descargados del barril, depositándolos sobre la base, desde donde son fácilmente retirados



#### MODELOS

Material	Diámetro (ø)	Altura	Capacidad
Acero inoxidable AISI 316	8"	60 cm.	12 litros
Acero al carbono SAE 1020	8"	60 cm.	12 litros
Acero inoxidable AISI 316	10"	70 cm.	16 litros
Acero al carbono SAE 1020	10"	70 cm.	16 litros

Equipos sujetos a modificaciones o cambios técnicos



Labtech Hebro Ltda.



Labtech Hebro Ltda.  
Paula Jaraquemada 1553, Renca  
Santiago, Chile  
Fono : (56) 2 2331 2000  
Fax : (56) 2 2208 9569  
e-mail : [ventas@hebrolab.cl](mailto:ventas@hebrolab.cl) / [ventas1@hebrolab.cl](mailto:ventas1@hebrolab.cl)

# FILTRO DE PEDESTAL

## Filtro de pedestal LABTECH HEBRO Fabricación chilena

Este equipo se caracteriza principalmente por su gran capacidad de trabajo, fácil uso y mantenimiento. Las propiedades de esta máquina hacen que sea perfecta para condiciones de trabajo en laboratorios, ya que por su forma y funcionamiento, optimizan el espacio a utilizar.

Es importante destacar que el operar este filtro no afecta en la salud del trabajador, ya que manipularlo no requiere esfuerzo del operador.

Este se compone de lo siguiente:

- Cilindro fabricado en acero inoxidable
- Tapa de acero inoxidable con sello de goma
- Base de acero inoxidable con sello de goma
- Estructura soportante de acero al carbono
- Válvula dúplex, alimentación y purga de aire
- Manómetro, graseras en tornillos
- Sinfín de tapa de alimentación y descarga



### CARACTERÍSTICAS

Modelo	Diámetro	Altura	Capacidad
41L	300 mm	600 mm	41 litros
24L	250 mm	500 mm	24 litros

Equipo sujeto a modificaciones o cambios técnicos



**Labtech Hebro Ltda. HB**

Labtech Hebro Ltda.  
Paula Jaraquemada 1553, Renca  
Santiago, Chile  
Fono : (56) 2 2331 2000  
e-mail : [ventas@hebrolab.cl](mailto:ventas@hebrolab.cl) / [ventas1@hebrolab.cl](mailto:ventas1@hebrolab.cl)

## XRF PRESS AND DIE SETS

### Bench mounted electro-hydraulic press for preparing powder samples for X-Ray fluorescence analysis



Designed with operator safety in mind. Downward movement of the hydraulic ram is initiated by two push buttons, one on each side of the base of the press unit. These have to be actuated in unison thereby requiring both hands of the operator to be occupied out of harms way.

Labtech Essa manufacture a bench mounted, two piece, high pressure, electro-hydraulic actuated press for laboratory use in the preparation of

pressed powder samples for X-Ray fluorescence analysis. It is made up as a press unit and a separate 240 volt, single phase, electro-hydraulic power pack. The press unit is designed for free standing on the customer's bench top with the separate power pack placed within a 3 metre hose length of the press unit. The most frequently used location for the power pack is in the bench area beneath the press unit. The unit then moves in to "automatic" mode once the press has closed, allowing the unit to run unattended to complete its cycle automatically. The automatic cycle assures each sample is subjected to the same pre-set pressure for the same time span....giving optimum repeatability, automatically.

This adjustable 1 to 40 tonne model is also provided with a see-through polycarbonate safety door to the pressing area which is interlocked to prevent the press from operating while the door is open.

### Labtech Essa also manufacture die sets to suit most powder cups and planchettes.

# BALANZA PARA DENSIDAD DE PULPA Y GRAVEDAD ESPECÍFICA

## Balanza HEBRO tipo Marcy Fabricación chilena

Esta balanza está diseñada para medir densidad y gravedad específica de pulpas.

### OBTENCIÓN PORCENTAJE DE SÓLIDOS

Si se conoce la gravedad específica del sólido en la pulpa, el Porcentaje de Sólidos se puede leer directamente en el dial. Seleccione el dial y escala adecuados para una gravedad específica del sólido en la pulpa. Coloque la pulpa en el recipiente (calibrado a 1000 cc de capacidad) y cuélguelo en la balanza.

El Porcentaje de Sólidos en la pulpa se lee en el sentido de los punteros del reloj, en los anillos de color rojo, amarillo o blanco del dial, utilizando el valor de gravedad específica ya seleccionado.

Ejemplo: Una lectura de 44% sólidos a 2.2 de gravedad específica, también puede ser 39% a 2.6 y 35% a 3.2.



### IMPORTANTE

Junto con la balanza se entregan cuatro diales intercambiables, los cuales tienen diferentes rangos de gravedad específica de sólidos, estos son:

2,2 - 2,3 - 2,4 - 2,5 - 2,6 - 2,7 y 2,8  
2,6 - 2,7 - 2,8 - 2,9 - 3,0 - 3,1 y 3,2 (Instalado)  
3,8 - 3,9 - 4,0 - 4,1 - 4,2 - 4,3 y 4,4  
4,2 - 4,3 - 4,4 - 4,5 - 4,6 - 4,7 y 4,8

Equipo sujeto a modificaciones o cambios técnicos



Labtech Hebro Ltda.



Labtech Hebro Ltda.  
Paula Jaraquemada 1553, Renca  
Santiago, Chile  
Fono : (56) 2 2331 2000  
Fax : (56) 2 2208 9569  
e-mail : [ventas@hebrolab.cl](mailto:ventas@hebrolab.cl) / [ventas1@hebrolab.cl](mailto:ventas1@hebrolab.cl)

# TAMICES

## TAMICES CERTIFICADOS ATM-HEBRO Fabricados por Advantech Manufacturing (USA)

Todas las mallas están fabricadas en acero AISI 316 y certificadas bajo norma ASTM-E11. Los marcos o bastidores pueden ser de distintos materiales, diámetro y alturas de acuerdo al requerimiento del usuario



### ESPECIFICACIONES TECNICAS

#### CARACTERISTICAS

8" diámetro		12" diámetro	
Half height	: 1" de altura útil	Half height	: 1" de altura útil
Full height	: 2" de altura útil	Inter. height	: 2" de altura útil
		Full height	: 3" de altura útil

#### VARIEDADES

Bronce/ Acero (1)	: Marco de bronce y malla de acero inoxidable
Acero/ Acero (2)	: Marco y malla de acero inoxidable
Con soporte	: Tamices con malla con soporte (1 y 2)
De lavado	: Tamices para tamizar en húmedo (1 y 2)

Nota: Tamices bronce/ acero, 8" full height y 12" intermediate height, **entrega inmediata.**  
Otros, previa confirmación

**Equipos sujetos a modificaciones o cambios técnicos**



Labtech Hebro Ltda.



Labtech Hebro Ltda.  
Paula Jaraquemada 1553, Renca  
Santiago, Chile  
Fono : (56) 2 2331 2000  
Fax : (56) 2 2208 9569  
e-mail : [ventas@hebrolab.cl](mailto:ventas@hebrolab.cl) / [ventas1@hebrolab.cl](mailto:ventas1@hebrolab.cl)

# Meinzer II™

## Test Sieve Shaker



(Sieves, Pans & Covers must be ordered separately)

### Quiet & Compact

This maintenance free, lightweight and portable vibrating shaker provides precise repeatable results time after time.

By utilizing an electromagnetic drive, a fixed amplitude and rubber spring mounts, this unit produces the simultaneous vertical and horizontal movement needed for basic dry particle sizing analysis. This unit is ideal for use with sands, cements, chemicals, powder metals, cosmetics, grains, seeds, coal, soils, coffee, pharmaceuticals, tobacco, and many other dry components in ground, granular or powder form. Each unit is "burned in" guaranteeing performance right out of the box.

- Quiet operation
- Compact, lightweight and portable
- Easy to use
- Built-in 60 minute timer
- Maintenance free, no moving parts
- Value priced
- Rugged construction
- Less wear on sieves
- Less sample blinding and degradation



### Pricing

#### Model

**MEINZ110** (110vac / 60Hz)

Vibration Speed 3600 per minute producing  
2 mm horizontal orbital throw and 3 mm vertical throw

Prices effective January 1, 2012. This price list supercedes all previous price lists. All prices are FOB factory in New Berlin, Wisconsin, and are subject to change without notice. **Made in U.S.A.**

### Basic Specifications

- **Capacity**  
**8" or 200 mm diameter**
  - 8 full height sieves plus pan and cover
  - 15 half height sieves plus pan and cover

*Sieves, pans and covers must be ordered separately*
- **Dimensions**  
10" (254 mm) diameter footprint  
7" (178 mm) height (excluding the sieve stack)
- **Weight**  
36 lbs (16.3 kg)
- **Mechanical timer**  
1 to 60 minutes with automatic shutoff or continuous run
- **Motor**  
Electromagnetic drive
- **Warranty**  
Limited one-year warranty

*Product specifications are subject to change without notice.*



Advantech Manufacturing, Inc.

2450 S. Commerce Drive  
New Berlin, WI 53151  
800.511.2096 Toll Free  
262.786.1600 Tel  
262.786.5074 Fax

sales@advantechmfg.com  
www.advantechmfg.com

# Sonic Sifter Separator

## For Laboratory Particle Size Analysis



### A Powerful Tool: The Original Sonic Sifter Separator.

A superior sieving instrument, the Sonic Sifter Separator is precise, versatile and ideal for research and quality assurance applications.

Specially designed 3" diameter acrylic framed sieves and a patented oscillating air column allows this unit to achieve efficiencies previously seen only with wet sieving for materials in powdered, granular or pellet form. The Sonic Sifter is virtually maintenance free and is capable of achieving separations ranging from 3  $\mu\text{m}$  to 5.6 mm. There is no screen wear or particle attrition. Particle separations can be accomplished in less than 10 seconds under favorable conditions – cutting testing times by up to 90% over other methods.

With the Sonic Sifter Separator:

- A vertical, oscillating column of air "tries" the particles 60 times per second, and a vertical mechanical pulse shears agglomerates and reorients the particles in the air column.
- Special see-through acrylic framed sieves help determine proper power level and finish point.
- Action can be varied for different densities and textures as the power level to separate particles is infinitely adjustable.
- Fine particle separation for dry sieving ranges from 3  $\mu\text{m}$  to 5.6 mm.
- Automatic timing ensures repeatable results.
- Easy to operate.
- No need for periodic adjustments or re-calibration.



## Pricing

### Model

L3P (110vac / 60Hz)

L3P-15 (110vac / 50Hz)

L3P-25 (220vac / 50Hz)

L3P-26 (220vac / 60Hz)

Each unit includes: Complete stack assembly, electrical line cord and an operation manual. Sieves required for particle separation are not included, but can be ordered separately on the back side of this page.

Prices effective January 1, 2012. This price list supercedes all previous price lists. All prices are FOB factory in New Berlin, Wisconsin, and are subject to change without notice. **Made in U. S. A.**

## Basic Specifications

### ■ Capacity

3" Clear Acrylic Frame Sieve

- 6 each U.S. Standard L3-S Sonic Sifter Sieves, or
- 3 each Precision Electroformed Nickel Mesh Sieves

Sieves must be ordered separately.

### ■ Operating Ranges

Temperature - 0° to 120° F (-18° C to 49° C)

Humidity – any (non-condensing)

For optimal results, temperature and humidity should be controlled.

### ■ Dimensions

10" w x 12" d x 23" h

25 cm x 31 cm x 61 cm

### ■ Weight

43 lbs (20 kg)

### ■ Built-in digital timer (+/- 2 seconds over 24 hours)

### ■ Warranty

Limited one-year warranty

*Product specifications are subject to change without notice.*



Advantech Manufacturing, Inc.

2450 S. Commerce Drive

New Berlin, WI 53151

800.511.2096 Toll Free

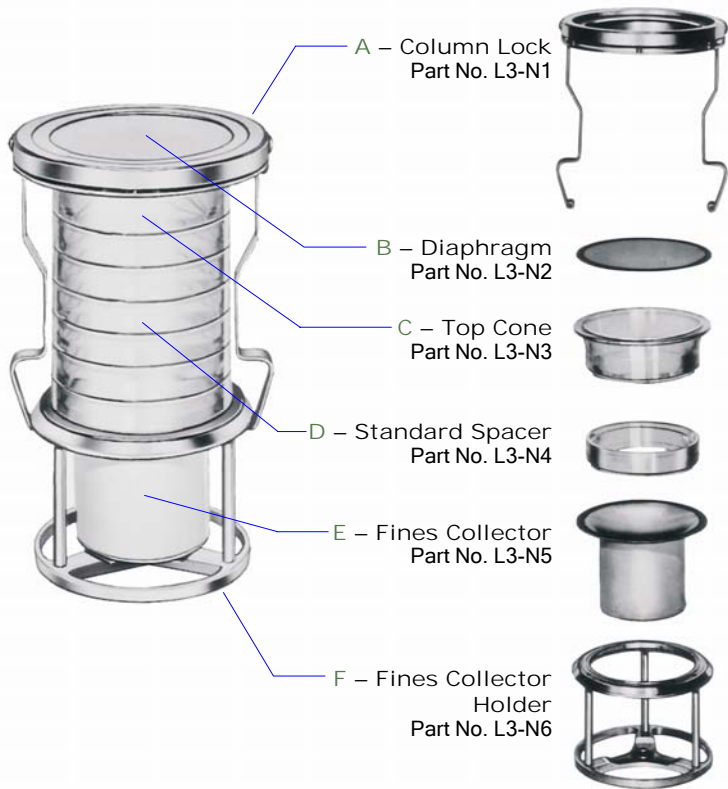
262.786.1600 Tel

262.786.5074 Fax

sales@advantechmfg.com

www.advantechmfg.com

## Sonic Sifter Separator Accessories For Laboratory Particle Size Analysis



Item	Description	Part Number	Price
A	Column Lock	L3-N1	
B	Diaphragm	L3-N2	
C	Top Cone	L3-N3	
D	Standard Spacer	L3-N4	
E	Fines Collector	L3-N5	
F	Fines Collector Holder	L3-N6	
	<b>Complete Stack Assembly *</b>	L3-N7	

\* Includes column lock, diaphragm, top cone, six standard spacers, fines collector and fines collector holder.

## Horizontal Pulse Accessory

A must for accurate separations below 45  $\mu\text{m}$ , this electromechanical device eliminates agglomerates in extremely fine powders. A tapping action alternates on opposite sides of the screen frame to create a high speed shock wave, breaking down agglomerated materials and reintroducing near-sized particles back into the air stream, and then back onto the screening media.

L3-N8 (110vac / 50 or 60 Hz)

Includes: Power supply with electrical line cord for 110 volt operation, machined pulse assembly is designed to fit in the sieve stack taking the place of one sieve or spacer.



## Sonic Sifter Sieves 3" Diameter

- Stainless steel wire cloth of sieves listed meets the current ASTM E11 Sieve Specifications.
- Supplied with Certificate of Compliance.
- Clear acrylic frame. Dimensions: 3-1/2" O.D., 3" I.D. with an overall height of 5/8".

U.S. Sieve No.	Opening Size	Part Number	Price
#3.5	5.60 mm	L3-S3.5	
#4	4.75 mm	L3-S4	
#5	4.00 mm	L3-S5	
#6	3.35 mm	L3-S6	
#7	2.80 mm	L3-S7	
#8	2.36 mm	L3-S8	
#10	2.00 mm	L3-S10	
#12	1.70 mm	L3-S12	
#14	1.40 mm	L3-S14	
#16	1.18 mm	L3-S16	
#18	1.00 mm	L3-S18	
#20	850 $\mu\text{m}$	L3-S20	
#25	710 $\mu\text{m}$	L3-S25	
#30	600 $\mu\text{m}$	L3-S30	
#35	500 $\mu\text{m}$	L3-S35	
#40	425 $\mu\text{m}$	L3-S40	
#45	355 $\mu\text{m}$	L3-S45	
#50	300 $\mu\text{m}$	L3-S50	
#60	250 $\mu\text{m}$	L3-S60	
#70	212 $\mu\text{m}$	L3-S70	
#80	180 $\mu\text{m}$	L3-S80	
#100	150 $\mu\text{m}$	L3-S100	
#120	125 $\mu\text{m}$	L3-S120	
#140	106 $\mu\text{m}$	L3-S140	
#170	90 $\mu\text{m}$	L3-S170	
#200	75 $\mu\text{m}$	L3-S200	
#230	63 $\mu\text{m}$	L3-S230	
#270	53 $\mu\text{m}$	L3-S270	
#325	45 $\mu\text{m}$	L3-S325	
#400	38 $\mu\text{m}$	L3-S400	
#450	32 $\mu\text{m}$	L3-S450	
#500	25 $\mu\text{m}$	L3-S500	
#635	20 $\mu\text{m}$	L3-S635	

Sieve Opening	Part Number	Price	Sieve Opening	Part Number	Price
3 $\mu\text{m}$	L3-M3		60 $\mu\text{m}$	L3-M60	
5 $\mu\text{m}$	L3-M5		65 $\mu\text{m}$	L3-M65	
10 $\mu\text{m}$	L3-M10		70 $\mu\text{m}$	L3-M70	
15 $\mu\text{m}$	L3-M15		75 $\mu\text{m}$	L3-M75	
20 $\mu\text{m}$	L3-M20		80 $\mu\text{m}$	L3-M80	
25 $\mu\text{m}$	L3-M25		85 $\mu\text{m}$	L3-M85	
30 $\mu\text{m}$	L3-M30		90 $\mu\text{m}$	L3-M90	
35 $\mu\text{m}$	L3-M35		95 $\mu\text{m}$	L3-M95	
40 $\mu\text{m}$	L3-M40		100 $\mu\text{m}$	L3-M100	
45 $\mu\text{m}$	L3-M45		105 $\mu\text{m}$	L3-M105	
50 $\mu\text{m}$	L3-M50		125 $\mu\text{m}$	L3-M125	
55 $\mu\text{m}$	L3-M55		150 $\mu\text{m}$	L3-M150	

Prices effective January 1, 2012. This price list supersedes all previous price lists. All prices are FOB factory in New Berlin, Wisconsin. Prices are subject to change without notice. Made in U.S.A.

# DURA TAP

## Agitador de tamices DURA TAP Advantech Manufacturing (ex ATM Arrow)

Fabricación estadounidense



### Características

**Capacidad** : 7 tamices de 8" diámetro y 2" de altura útil.  
**Modelo #258** 14 tamices de 8" diámetro y 1" de altura útil.

**Capacidad** : 7 tamices de 12" diámetro y 2" de altura útil.  
**Modelo #2512** 8 tamices de 12" diámetro y 1" de altura útil.  
4 tamices de 12" diámetro y 3" de altura útil.

**Conexiones** : 220V / 50Hz. (Modelos #258 y #2512)  
220V / 60Hz. (Modelos #268 y #2612)

**Equipo sujeto a modificaciones o cambios técnicos**



Labtech Hebro Ltda. **HB**

Labtech Hebro Ltda.  
Paula Jaraquemada 1553, Renca  
Santiago, Chile  
Fono : (56) 2 2331 2000  
Fax : (56) 2 2208 9569  
e-mail : [ventas@hebrolab.cl](mailto:ventas@hebrolab.cl) / [ventas1@hebrolab.cl](mailto:ventas1@hebrolab.cl)

# AGITADOR DE TAMICES EN HUMEDO

## Deslamador HEBRO Fabricación chilena

Este equipo tiene por objeto efectuar una distribución granulométrica de las partículas sólidas presentes en una pulpa de mineral. Esto se logra haciendo pasar la muestra desde el tamiz ubicado en la parte superior, hasta el embudo en la base inferior. La operación se realiza pasando la muestra desde un tamiz de mayor abertura a otros de menor, utilizando agua como vehículo, facilitando así el traslado de las partículas de menor tamaño a los tamices inferiores hasta terminar en el embudo colector del bajo tamaño de éstas. La estructura del deslamador está construida en acero al carbono, en cuyo interior se ubica una excéntrica accionada por un motor eléctrico, produciendo el movimiento oscilatorio horizontal que permite la vibración del equipo. En la parte superior existe una tapa con surtidor de agua en forma de regadera que se ajusta al tamiz de mayor abertura, alimentando el flujo de líquido a la columna de tamices.

Tanto el surtidor como el embudo están fabricados en acero inoxidable AISI 304. Este equipo está también capacitado para realizar tamizado en seco, siendo recomendable su uso sólo con mallas de aberturas mayores a 200 micrones (N°70 o 65 mallas Tyler). Para analizar tamaños de partículas menores a éstas debe emplearse el agitador de tamices en seco "Dura Tap", ex ATM Arrow, ya que este último proporciona movimientos, tanto horizontal como vertical, asegurando así una óptima distribución de las partículas en los diferentes tamices.



### MODELOS

Para tamices	: de 8" de diámetro
Para tamices	: de 12" de diámetro
Capacidad máxima	: 5 tamices de 2" altura

Equipo sujeto modificaciones (no incluye tamices)



Labtech Hebro Ltda.



Labtech Hebro Ltda.  
Paula Jaraquemada 1553, Renca  
Santiago, Chile  
Fono : (56) 2 2331 2000  
Fax : (56) 2 2208 9569  
e-mail : [ventas@hebrolab.cl](mailto:ventas@hebrolab.cl) / [ventas1@hebrolab.cl](mailto:ventas1@hebrolab.cl)

# LIMPIADOR ULTRASÓNICO

## Limpiador Ultrasónico de Tamices ZENITH

Este equipo está compuesto por una cuba o baño revestido interiormente en acero inoxidable, con una boquilla para la descarga de líquido. Como accesorio (no incluido), puede utilizarse un canastillo que permite mantener los tamices suspendidos en el baño sin tener contacto con las paredes y fondo del equipo.

La unidad generadora se encuentra ubicada en forma independiente de la cuba y su funcionamiento consiste en la generación de ondas ultrasónicas, creando un movimiento constante que permite liberar las partículas alojadas en las aberturas de las mallas.



La importante función del **Limpiador Ultrasónico de Tamices** no es otra que mantener el área libre original de las mallas de los tamices, eliminando las obstrucciones producto del alojamiento de partículas en ellas, asegurando así la eficiencia de éstos en los análisis granulométricos, como también, evitar la eventual contaminación de las muestras, por el desprendimiento accidental de las partículas atrapadas en las mallas que se incorporan a alguna otra muestra.

Disponible en tamaños de 15 y 55 litros (para tamices de 8" y 12" respectivamente).



**Labtech Hebro Ltda** HB

Labtech Hebro Ltda.  
Paula Jaraquemada 1553, Renca  
Santiago, Chile  
Fono : (56) 2 2331 2000  
Fax : (56) 2 2208 9569  
e-mail : [ventas@hebrolab.cl](mailto:ventas@hebrolab.cl) / [ventas1@hebrolab.cl](mailto:ventas1@hebrolab.cl)

# CORTADORES DE SONDA

## Cortadores de Sonda HEBRO Fabricación chilena

Elaborados en acero inoxidable AISI 304.  
Estos equipos están diseñados para  
muestrear manualmente ya sea en sólidos  
secos (SB), sólidos húmedos (SA) o líquidos  
(SC).



**SA**



**SB**



**SC**

### Características

Modelo	Uso
SA - SB	Diseñados para el muestreo de sólidos a granel en camiones, stockpiles o contenedores de concentrados.
SC	Diseñado para muestrear pulpa o líquidos en profundidad, espesadores, celdas de flotación, estanques u otros. Longitud a solicitud del usuario, con máximo de 3 metros.

**Equipos sujetos a modificaciones o cambios técnicos**



Labtech Hebro Ltda.

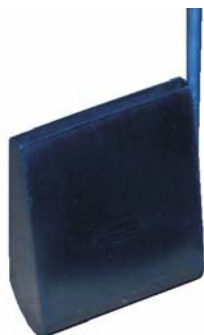


Labtech Hebro Ltda.  
Paula Jaraquemada 1553, Renca  
Santiago, Chile  
Fono : (56) 2 2331 2000  
Fax : (56) 2 2208 9569  
e-mail : [ventas@hebrolab.cl](mailto:ventas@hebrolab.cl) / [ventas1@hebrolab.cl](mailto:ventas1@hebrolab.cl)

# CORTADORES MANUALES (CONVENCIONALES)

## Cortadores manuales de muestra HEBRO Fabricación chilena

Fabricado en Acero Inoxidable AISI 304 de 1 mm. de espesor



Tipo A



Tipo B



Tipo C



Tipo D



Tipo E



Tipo ESTANDAR

### CARACTERISTICAS

Estos cortadores se fabrican según medidas estándar, pero también se pueden elaborar según requerimientos especiales.

Equipo sujeto a modificaciones o cambios técnicos



Labtech Hebro Ltda. **HB**

Labtech Hebro Ltda.  
Paula Jaraquemada 1553, Renca  
Santiago, Chile

Fono : (56) 2 2331 2000

Fax : (56) 2 2208 9569

e-mail : [ventas@hebrolab.cl](mailto:ventas@hebrolab.cl) / [ventas1@hebrolab.cl](mailto:ventas1@hebrolab.cl)

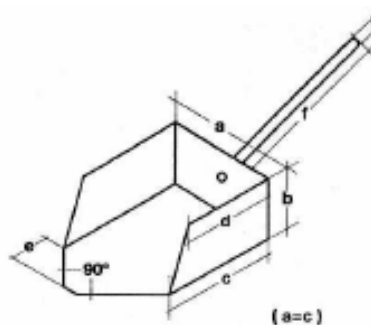
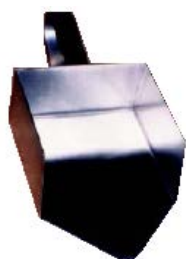
# PALAS JIS

## Palas JIS HEBRO Fabricación chilena

Construidas en acero inoxidable AISI 304 de acuerdo a normas internacionales vigentes para muestreo.  
"Numeradas y dimensionadas según norma JIS"

Nº	Partícula [mm]	Dimensiones [mm]							Espesor [mm]	b/c	Volumen [ml]
		a	b	c	d	e	f	g			
150	150	350	140	350	300	140			2		16.000
125	125	300	120	300	250	120			2		10.000
100	100	250	110	250	220	100			2		7.000
75	75	200	100	200	170	80			2		4.000
50	50	150	75	150	130	65			2		1.700
40	40	110	65	110	95	50			2		790
30	30	90	50	90	80	40			2		400
20	20	80	45	80	70	35			2		300
15	15	70	40	70	60	30			2		200
10	10	60	35	60	50	25			1		125
5	5	50	30	50	40	20			1		75
3	3	40	25	40	30	15			0.5		40
1	1	30	15	30	25	12			0.5		15
0.25 R	0.25	15	10	15	12	0			0.3		2

En caso de utilizar las palas para métodos de incrementos, se recomienda el uso de una sin el extremo en punta (e = 0). Estas son designadas por el número seguido de una letra "R".



Labtech Hebro Ltda.



Labtech Hebro Ltda.  
Paula Jaraquemada 1553, Renca  
Santiago, Chile  
Fono : (56) 2 2331 2000  
Fax : (56) 2 2208 9569  
e-mail : [ventas@hebrolab.cl](mailto:ventas@hebrolab.cl) / [ventas1@hebrolab.cl](mailto:ventas1@hebrolab.cl)

# ALIMENTADOR VIBRATORIO

## Alimentador Vibratorio HEBRO Fabricación chilena

Bandeja vibratoria fabricada en Acero Inoxidable AISI 304 para 220 V/ 50 – 60 Hz



### MODELOS

#### Bandeja vibratoria

#### Largo

8"  
13"  
16"  
20"

#### Ancho

2"  
2"  
6"  
4"

También se pueden fabricar de distintas dimensiones dependiendo de las necesidades del usuario.

Equipos sujetos a modificaciones o cambios técnicos



Labtech Hebro Ltda. **HB**

Labtech Hebro Ltda.  
Paula Jaraquemada 1553, Renca  
Santiago, Chile  
Fono : (56) 2 2331 2000  
Fax : (56) 2 2208 9569  
e-mail : [ventas@hebrolab.cl](mailto:ventas@hebrolab.cl) / [ventas1@hebrolab.cl](mailto:ventas1@hebrolab.cl)

## TIMER GRALAB

**Timer GRALAB, modelo 171 (220 V / 50 Hz)**  
**Fabricación estadounidense (USA)**



### CARACTERÍSTICAS

Timer para 60 minutos con variaciones de un segundo.

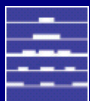
- 2.200 W de potencia máxima.
- Permite operar con dos equipos de manera simultanea

**Equipo sujeto a modificaciones o cambios técnicos**



Labtech Hebro Ltda. **HB**

Labtech Hebro Ltda.  
Paula Jaraquemada 1553, Renca  
Santiago, Chile  
Fono : (56) 2 2331 2000  
Fax : (56) 2 2208 9569  
e-mail : [ventas@hebrolab.cl](mailto:ventas@hebrolab.cl) / [ventas1@hebrolab.cl](mailto:ventas1@hebrolab.cl)



Labtech Hebro Ltda.

---



**PAULA JARAQUEMADA1553  
RENCA, SANTIAGO, CHILE  
FONO: (56) 2 2331 2000  
FAX: (56) 2 2208 9569**

**E-MAIL**

[ventas@hebrolab.cl](mailto:ventas@hebrolab.cl)  
[ventas1@hebrolab.cl](mailto:ventas1@hebrolab.cl)  
[info@hebrolab.cl](mailto:info@hebrolab.cl)

**WEB**

[www.labtechhebro.cl](http://www.labtechhebro.cl)

---

Labtech Hebro Ltda.  
Paula Jaraquemada 1553, Renca  
Santiago, Chile  
Fono : (56) 2 2331 2000  
Fax : (56) 2 2208 9569  
e-mail : [ventas@hebrolab.cl](mailto:ventas@hebrolab.cl) / [ventas1@hebrolab.cl](mailto:ventas1@hebrolab.cl)