



# FIREFIGHTING FOAM PRODUCTS CATALOG



*A Tyco International Company*



# Firefighting Foam Products Catalog

## Table of Contents

Firefighting Foam Agents . . . . .	1-2
Special Agents . . . . .	3
Foam Solution Test Instruments . . . . .	3
Handline Nozzles and Eductors . . . . .	3-4
Manual Monitors . . . . .	5
Automatic Water-Oscillating Monitors . . . . .	5
High-Flow Series Monitors/Nozzles . . . . .	6
Remote-Controlled Monitors . . . . .	6
Master Stream Monitor Nozzles . . . . .	7
Master Foam Monitor Nozzles . . . . .	8
Air-Aspirating Foam Nozzles . . . . .	8
MOBILCART . . . . .	9
Proportioning Foam Trailers . . . . .	9
Around-the-Pump Proportioners . . . . .	10
36-Gallon Foam Station . . . . .	11
Floating Roof Foam Makers . . . . .	11
Foam Chambers/Accessories . . . . .	12
JET-X High-Expansion Generators/Accessories . . . . .	13
Foam Systems Training . . . . .	14
Foam Concentrate Testing . . . . .	15

**Please Note:** In addition to the portable foam equipment listed in this catalog, Tyco Fire Protection Products also manufactures a variety of equipment made for fixed-foam system applications. These items include:

- Vertical and horizontal bladder tanks
- Bladder tank accessories
- Threaded and flanged proportioners
- In-line balanced pressure proportioners
- Polyethylene foam tanks

Please contact your ANSUL Field Sales Representative or call ANSUL Technical Services at **1-800-862-6785** or **1-715-735-7415** for design and pricing information of fixed-foam systems.

# Firefighting Foam Agents

## ANSULITE 1% AFFF Concentrate



For use on Class B hydrocarbon fuel fires such as crude oils, gasoline, diesel fuels and aviation fuels. Aspirated or nonaspirated discharge devices. 1% solution in fresh, salt or hard water. 1% premix in fresh or potable water. UL Listed.

5 gal (19 L) pail **PART NO. 55804**  
 55 gal (208 L) drum **PART NO. 55811**  
 265 gal (1003 L) tote **PART NO. 432160**

## ANSULITE 1% Freeze-Protected AFFF Concentrate



For use on Class B hydrocarbon fuel fires such as crude oils, gasoline, diesel fuels and aviation fuels. Aspirated or nonaspirated discharge devices. 1% solution in fresh, salt or hard water. 1% premix in fresh or potable water. Concentrate is freeze protected to -20 °F (-29 °C). UL Listed.

5 gal (19 L) pail **PART NO. 415301**  
 55 gal (208 L) drum **PART NO. 415303**  
 265 gal (1003 L) tote **PART NO. 432156**

## ANSULITE 3% AFFF Concentrate (AFC-3-A)



For use on Class B hydrocarbon fuel fires such as crude oils, gasoline, diesel fuels, and aviation fuels. Aspirated or nonaspirated discharge devices. 3% solution in fresh, salt or hard water. 3% premix in fresh or potable water. UL Listed.

5 gal (19 L) pail **PART NO. 55800**  
 55 gal (208 L) drum **PART NO. 55809**  
 265 gal (1003 L) tote **PART NO. 431499**

## ANSULITE PREMIUM 3% AFFF Concentrate MIL SPEC (AFC-5-A)



For use on Class B hydrocarbon fuel fires such as crude oils, gasoline, diesel fuels and aviation fuels. Aspirated or nonaspirated discharge devices. 3% solution in fresh, salt or hard water. 3% premix in fresh or potable water. UL Listed. On QPL under U.S. Military Specification MIL-F-24385F.

5 gal (19 L) pail **PART NO. 68122**  
 55 gal (208 L) drum **PART NO. 68123**  
 265 gal (1003 L) tote **PART NO. 432336**

## ANSULITE 3% Freeze-Protected AFFF Concentrate



For use on Class B hydrocarbon fuel fires such as crude oils, gasoline, diesel fuels and aviation fuels. Aspirated or nonaspirated discharge devices. 3% solution in fresh, salt or hard water. 3% premix in fresh or potable water. Concentrate is freeze protected to -20 °F (-29 °C). UL Listed.

5 gal (19 L) pail **PART NO. 54783**  
 55 gal (208 L) drum **PART NO. 54892**  
 265 gal (1003 L) tote **PART NO. 432161**

## ANSULITE 6% AFFF Concentrate (AFC-3)



For use on Class B hydrocarbon fuel fires such as crude oils, gasoline, diesel fuels and aviation fuels. Aspirated or nonaspirated discharge devices. 6% solution in fresh, salt or hard water. 6% premix in fresh or potable water. UL Listed.

5 gal (19 L) pail **PART NO. 54391**  
 55 gal (208 L) drum **PART NO. 54392**  
 265 gal (1003 L) tote **PART NO. 432155**

## ANSULITE PREMIUM 6% AFFF Concentrate MIL SPEC (AFC-5)



For use on Class B hydrocarbon fuel fires such as crude oils, gasoline, diesel fuels and aviation fuels. Aspirated or nonaspirated discharge devices. 6% solution in fresh, salt or hard water. 6% premix in fresh or potable water. UL Listed. On QPL under U.S. Military Specification MIL-F-24385F.

5 gal (19 L) pail **PART NO. 68120**  
 55 gal (208 L) drum **PART NO. 68121**  
 265 gal (1003 L) tote **PART NO. 432159**

## ANSULITE 1X3 F-601A AR-AFFF Concentrate

Superior firefighting performance on Class B fuel fires: 1% concentrate on hydrocarbon fuels such as gasoline, fuel oil, etc. and 3% on polar solvent (water miscible) fuels such as methyl alcohol, acetone, MTBE, etc. Aspirated or non-aspirated discharge devices. 1% or 3% solution in fresh, salt or hard water. 1% or 3% premix in fresh or potable water. UL Listed.



5 gal (19 L) pail **PART NO. 437187**  
 55 gal (208 L) drum **PART NO. 437188**  
 265 gal (1003 L) tote **PART NO. 437189**

## ANSULITE 3x3 Low Viscosity AR-AFFF Concentrate

Superior firefighting performance on Class B fuel fires. Used as 3% concentrate on BOTH hydrocarbon fuels such as gasoline, fuel oil, etc., and polar solvent (water miscible) fuels such as methyl alcohol, acetone, MTBE, etc. Low viscosity formula enhances performance with in-line eductors, balanced pressure systems and built-in systems on firefighting vehicles. Aspirated or nonaspirated discharge devices. 3% solution in fresh, salt or hard water. 3% premix in fresh water. UL Listed, FM and USCG Approved.



5 gal (19 L) pail **PART NO. 416493**  
 55 gal (208 L) drum **PART NO. 416495**  
 265 gal (1003 L) tote **PART NO. 429741**

## ANSULITE 3X6 F-600A AR-AFFF Concentrate

Superior firefighting performance on Class B fuel fires: 3% concentrate on hydrocarbon fuels such as gasoline, fuel oil, etc.; 6% on polar solvent (water miscible) fuels such as methyl alcohol, acetone, MTBE, etc. Aspirated or non-aspirated discharge devices. 3% or 6% solution in fresh, salt or hard water. 3% or 6% premix in fresh or potable water. UL Listed.



5 gal (19 L) pail **PART NO. 437197**  
 55 gal (208 L) drum **PART NO. 437198**  
 265 gal (1003 L) tote **PART NO. 437199**

# Firefighting Foam Agents

## ANSULITE ARC 3% and 6% AR-AFFF Concentrate



For use on Class B fuel fires: 3% concentrate on hydrocarbon fuels such as gasoline, fuel oil, etc. and 6% on polar solvent (water miscible) fuels such as methyl alcohol, acetone, MTBE, etc. Aspirated or non-aspirated discharge devices. 3% or 6% solution in fresh, salt or hard water. 3% or 6% premix in fresh or potable water. UL Listed and FM Approved.

5 gal (19 L) pail **PART NO. 55797**  
 55 gal (208 L) drum **PART NO. 55808**  
 265 gal (1003 L) tote **PART NO. 432157**

## ANSULITE ARC 3% or 6% Freeze Protected AR-AFFF Concentrate



For use on Class B hydrocarbon fuel fires such as crude oils, gasoline, diesel fuels and aviation fuels. Aspirated or non-aspirated discharge devices. 3 or 6% solution in fresh, salt or hard water. 3 or 6% premix in fresh or potable water. Concentrate is freeze protected to 0 °F (-18 °C). UL Listed.

5 gal (19 L) pail **PART NO. 415245**  
 55 gal (208 L) drum **PART NO. 415246**  
 265 gal (1003 L) tote **PART NO. 432852**

## JET-X 2 3/4% Salt and Fresh Water High-Expansion Foam Concentrate



For use on Class A, B and LNG fires. Capable of total flooding large rooms and enclosures when used with JET-X high-expansion generators at 200:1 to 1000:1 expansion ratios (2 3/4% concentration). Also used with medium-expansion equipment at 50:1 to 200:1 expansion ratios (2% concentration). Used only with air-aspirating foam discharge devices. UL Listed and FM Approved.

5 gal (19 L) pail **PART NO. 420008**  
 55 gal (208 L) drum **PART NO. 420009**  
 265 gal (1003 L) tote **PART NO. 431175**

## JET-X 2% Fresh Water High-Expansion Foam Concentrate



For use on Class A, B and LNG fires. Capable of total flooding large rooms and enclosures when used with JET-X high-expansion generators at 200:1 to 1000:1 expansion ratios (2% concentration). Also used with medium-expansion equipment at 50:1 to 200:1 expansion ratios (2% concentration). Used only with air-aspirating foam discharge devices. UL Listed.

5 gal (19 L) pail **PART NO. 436879**  
 55 gal (208 L) drum **PART NO. 436881**  
 265 gal (1003 L) tote **PART NO. 436883**

## SILV-EX PLUS "Class A" Fire Control Concentrate

Makes water at least five times more effective on many Class A deep-seated applications including wild fires and fires found in structures, paper, tires, and coal. Additionally, SILV-EX PLUS has been formulated to minimize its environmental signature containing no reportable substances and having no flashpoint. Proportioned from 0.1% to 1% in fresh, brackish or sea water; as a premix in fresh or potable water for long-term storage. Delivered using aspirating and nonaspirating discharge devices, compressed air foam systems or dropped from fixed or rotary wing aircraft. Approved by U.S. Forest Service.



5 gal (19 L) pail **PART NO. 434467**  
 55 gal (208 L) drum **PART NO. 434469**  
 265 gal (1003 L) tote **PART NO. 434471**

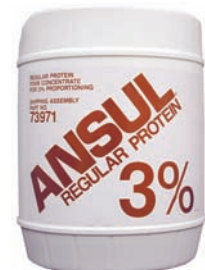
## ANSUL 3% Fluoroprotein Foam Concentrate



For use on Class B hydrocarbon fuel fires such as crude oils, gasoline, diesel fuels and aviation fuels. Must be used with air-aspirating type discharge devices. 3% solution in fresh, salt or hard water. UL Listed.

5 gal (19 L) pail **PART NO. 73973**  
 55 gal (208 L) drum **PART NO. 73972**

## ANSUL 3% Regular Protein Foam Concentrate



For use on Class B hydrocarbon fuel fires such as crude oils, gasoline, diesel fuels and aviation fuels. Must be used with air-aspirating type discharge devices. 3% solution in fresh, salt or hard water. UL Listed.

5 gal (19 L) pail **PART NO. 73971**  
 55 gal (208 L) drum **PART NO. 73970**

## ANSUL-A Municipal "Class A" Fire Control Concentrate



ANSUL-A foam concentrate is formulated using fluorine-free surfactants to perform on Class A combustible materials. ANSUL-A foam is compatible for use in compressed air foam systems (CAFS) over the use range of 0.1% to 1.0%. The minimum storage temperature for this concentrate is 20 °F (-6.7 °C).

5 gal (19 L) pail **PART NO. 433442**  
 55 gal (208 L) drum **PART NO. 433443**  
 265 gal (1003 L) tote **PART NO. 433558**

## ANSUL Foam Sample Kit



Use for demos or trade show displays. Contains 6 samples of various ANSULITE foam products in a convenient carry case.

**PART NO. 431512**

# Special Agents

## TARGET 7 Vapor Mitigation & Neutralizing Agent



For use on highly toxic chemicals like chlorine dioxide and titanium tetrachloride. Mitigates dangerous vapor releases and simultaneously neutralizes (with the addition of an acidic or caustic agent, depending on the application) the spilled material without causing additional vapor release.

- 5 gal (19 L) pail **PART NO. 428500**
- 55 gal (208 L) drum **PART NO. 428499**
- 265 gal (1003 L) tote **PART NO. 428550**

## Training Foam



Not intended for live fire training or for actual firefighting operations. Functional in any proportioning and generating equipment. Minimizes effects of training on the environment. Expansion and drainage characteristics similar to conventional 3% and 6% AFFF products.

- 5 gal (19 L) pail **PART NO. 428704**
- 55 gal (208 L) drum **PART NO. 428706**
- 265 gal (1003 L) tote **PART NO. 428707**

# Foam Solution Test Instruments

There are two acceptable methods for measuring foam concentrate percentage in water: the Refractive Index Method or Conductivity Method. Both methods are based on comparing foam solution test samples to premeasured solutions that are plotted on a baseline graph of percent concentration versus instrument reading.

Test procedures for conducting proportioning testing can be found in the supplement manual (Part No. 31274) Field Inspection Manual for Foam Concentrates and Foam Pre-mixed Solutions. This supplement is included with the Foam Systems Design Manual and many other ANSUL Foam System Manuals. These procedures are also outlined in NFPA 11.

## Digital Hand-held Refractometer

- Refractive Index Scale: 1.3330 – 1.5040
- Scale Division: 0.0001
- Accuracy:  $\pm 0.0001$
- Brix Scale: 0 – 85
- Scale Division: 0.1
- Accuracy:  $\pm 0.1$
- Power: 2 AAA Batteries



007524

Model PA202

PART NO. 434434

## Hand-held Refractometer

- Refractive Index Scale: 1.3330 – 1.3730
- Scale Division: 0.0002 readily estimated to 0.0001
- Accuracy:  $\pm 0.0001$
- Salinity Scale: 0 – 160
- Scale Division: 2 ppt.
- Accuracy:  $\pm 1$  ppt.



007523

Model 10419

PART NO. 405713

## Conductivity Meter

- Range of Instrument: 0 – 20000 uS, Range on Foam Setting (x100): 0 – 2000 uS
- Accuracy:  $\pm 40$  uS
- Resolution: 2 uS
- Power: 8 Rechargeable AA NICAD Batteries



007525

Model 1500-32

PART NO. 434435

# Handline Nozzles and Educutors

## Handline Nozzles

Designed for industrial and municipal use. Lightweight and rugged. Adjustable tip offers straight stream, various fog patterns, 180° water curtain and a complete shutoff.



## Handline Nozzle, L205B

Chrome-plated brass,  
1 1/2 in NHT, 60 gpm (227 Lpm)

PART NO. 72022

## Handline Nozzle, L205B

Chrome-plated brass,  
1 1/2 in NHT, 95 gpm (360 Lpm)

PART NO. 470230

## Handline Nozzle, L205B

Chrome-plated brass,  
1 1/2 in NHT, 125 gpm (473 Lpm)

PART NO. 435788

# Handline Nozzles and Eductors

## Low Expansion Nozzles

Used with all low expansion foam agents. Portable, air-aspirating stainless steel nozzle with ball shutoff valve. Recommended for use with the ANSUL Model Z eductor.

### KR-S2 Low Expansion Nozzle

60 gpm (227 Lpm) @ 100 psi (7 bar). Recommended for use with ANSUL Z-2 eductor.

PART NO. 415981



### KR-S4 Low Expansion Nozzle

120 gpm (454 Lpm) @ 100 psi (7 bar). Recommended for use with ANSUL Z-4 eductor.

PART NO. 415982

## Medium Expansion Nozzles

Portable, air-aspirating stainless steel nozzle with ball shutoff valve. Recommended for use with the ANSUL Model Z eductor and ANSULITE 3x3, JET-X High-Expansion or SILV-EX Plus Class A Foam.

### KR-M2 Medium Expansion Nozzle

60 gpm (227 Lpm) @ 100 psi (7 bar). Recommended for use with ANSUL Z-2 eductor.

PART NO. 415983



### KR-M4 Medium Expansion Nozzle

120 gpm (454 Lpm) @ 100 psi (7 bar). Recommended for use with ANSUL Z-4 eductor.

PART NO. 415984

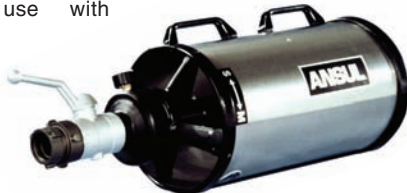
## Dual Expansion Nozzles

Easily convertible from medium to low expansion. Air-aspirating stainless steel nozzle with ball shutoff valve. Recommended for use with the ANSUL Model Z eductor and ANSULITE 3x3, JET-X High-Expansion or SILV-EX Plus Class A Foam.

### KR-S/M2 Dual Expansion Nozzle

60 gpm (227 Lpm) @ 100 psi (7 bar). Recommended for use with ANSUL Z-2 eductor.

PART NO. 415985



### KR-S/M4 Dual Expansion Nozzle

120 gpm (454 Lpm) @ 100 psi (7 bar). Recommended for use with ANSUL Z-4 eductor.

PART NO. 415986

## FWB Eductor with Pickup Tube and Metering Valve

Brass construction. Flexible pickup hose and valve adjustable from 1 to 6% concentration.

1 1/2 in. NH, 60 gpm (227 Lpm)  
PART NO. 420068

1 1/2 in. NH, 95 gpm (360 Lpm)  
PART NO. 420069

Pickup Tube, 1 1/2 in. Replacement  
PART NO. 420071

2 1/2 in. NH, 120 gpm (454 Lpm)  
PART NO. 420070

Pickup Tube, 2 1/2 in. Replacement  
PART NO. 420072

## Foam Eductors

Metering valve adjustable from 0 to 6%. Efficient, low cost proportioning. Brass construction, anodized aluminum couplings with NHT threads.

Z-2 Foam Eductor,  
60 gpm (227 Lpm).  
PART NO. 415979

Z-4 Foam Eductor,  
120 gpm (454 Lpm).  
PART NO. 415980



## Air-Aspirating Handline Nozzles



Used with all low expansion foam agents. Stainless steel nozzle. 1-1/2 in. hose.

**Without Shutoff**, 60 gpm (227 Lpm). Recommended for use with PL-60 line proportioner. 200 ft (61 m) max. hose between line proportioner and nozzle.

PART NO. 77796

**With Shutoff**, 60 gpm (227 Lpm). Pistol-grip shutoff in anodized aluminum. Recommended for use with ANSUL PL-60 line proportioner. 200 ft (61 m) max. hose between line proportioner and nozzle.

PART NO. 77792

**Without Shutoff**, 95 gpm (360 Lpm). Recommended for use with ANSUL PL-95 line proportioner. 100 ft (30.5 m) max. hose between line proportioner and nozzle.

PART NO. 77797

**With Shutoff**, 95 gpm (360 Lpm). Pistol-grip shutoff in anodized aluminum. Recommended for use with ANSUL PL-95 line proportioner. 100 ft (30.5 m) max. hose between line proportioner and nozzle.

PART NO. 77793

**Without Shutoff**, 120 gpm (454 Lpm). Recommended for use with ANSUL PL-120 line proportioner. 100 ft (30.5 m) max. hose between line proportioner and nozzle.

PART NO. 77981

**With Shutoff**, 120 gpm (454 Lpm). Pistol-grip shutoff in anodized aluminum. Recommended for use with ANSUL PL-120 line proportioner. 100 ft (30.5 m) max. hose between line proportioner and nozzle.

PART NO. 78419

# Monitors

## Protector Station Manual Monitor

Patented waterway and stream straightening vane reduce friction loss and turbulence. Designed to deliver water or foam solution at flows up to 1250 gpm (4732 Lpm). Bolts directly to 4 in. pipe flange. 2 1/2 in. male NHT outlet. 1/2 in. NPT drain valve and pressure gauge ports.



ORDER NOZZLE SEPARATELY

The Protector is constructed of A356.0 ANSI alloy heat treated to T6 with poly-impregnation casting treatment. It is also hardcoat anodized per military specification MIL-A-8625F Type III, Class 1 and features polyester powder-coated outer surfaces inside and out. The swivel clamps, 3 in. valve ball, trunnions and hardware are 18-8 stainless steel. The monitor may be used to deliver water or foam streams. Built-in on/off valve.

PART NO. 427469

## Manual Monitor MM-1000-3

Designed to deliver 1000 gpm (3785 Lpm) water or foam solution depending on nozzle selected. 3 in. continuous tubing reduces friction loss. Single tiller bar operation with lock knobs. 3 in. 150 lb ANSI mounting flange. 360° sweep. 160° total vertical movement. 2 1/2 in. male NHT outlet. Carbon steel with red polyester finish or stainless steel with electropolish finish.



ORDER NOZZLE SEPARATELY

MM-1000-3

PART NO. 400276

SS-MM-1000-3

PART NO. 402825

## Manual Monitor MM-1000-4

Designed to deliver 1000 gpm (3785 Lpm) water or foam solution depending on nozzle selected. 3 in. continuous tubing reduces friction loss. Single tiller bar operation with lock knobs. 4 in. 150 lb ANSI mounting flange. 360° sweep. 160° total vertical movement. 2 1/2 in. male NHT outlet. Carbon steel with red polyester finish or stainless steel with electropolish finish.

MM-1000-4

PART NO. 400286

SS-MM-1000-4

PART NO. 402826

## WOM-3 Automatic Water-Oscillating Monitor

Designed to deliver 1000 gpm (3785 Lpm) water or foam solution. Automatically oscillates via water-powered piston and cylinder. Field adjustable up to 200° sweep. 90° total vertical movement. Non-slip lock sets elevation. 4 in. 150 lb ANSI mounting flange. 2 1/2 in. male NHT outlet. Stainless steel available.

WOM-3

PART NO. 400000

WOM-3SS

PART NO. 400251



## WOM-4 Automatic Water-Oscillating Monitor

Designed to deliver 1750 gpm (6624 Lpm) water or foam solution. Automatically oscillates via water-powered piston and cylinder. Field adjustable up to 165° sweep. 114° total vertical movement. Handwheel sets elevation. 4 in. 150 lb ANSI mounting flange. Special outlet flange connection for AFN-2 foam nozzle. Outlet adaptor available to NHT.

WOM-4

PART NO. 402675

## Optional Support Stand

Steel support stand facilitates mounting of monitor and inlet piping. Fits WOM-3 and WOM-4 monitors.

PART NO. 400987

## Filter Package

Alternate filter package for muddy water applications. Fits WOM-3 and WOM-4 monitors.

PART NO. 77814

# Monitors

## High-Flow Series Monitors/Nozzles

The High-Flow Series achieves flow rates from 800 to more than 5000 gallons per minute (3000 to 18927 Lpm) depending on the model, nozzle setting, and inlet pressure. The dual waterway design, integrated nozzle, lightweight stainless steel construction and integral copper alloy nozzle make the High-Flow Series well suited for marine applications and other corrosive environments. The manual monitor is available with a standard or self-educing nozzle.

**FJM-80, 1000 gpm @ 232 psi (3785 Lpm @ 16 bar)**  
PART NO. 431100

**FJM-80 S with suction hose\***  
1000 gpm @ 232 psi (3785 Lpm @ 16 bar)  
PART NO. 431101

**FJM-80 P, 800 gpm @ 200 psi (3000 Lpm @ 13.8 bar)**  
PART NO. 431102

**FJM-80 SP with suction hose\***  
800 gpm @ 200 psi (3000 Lpm @ 13.8 bar)  
PART NO. 431103

**FJM-80 PO, 800 gpm @ 200 psi (3000 Lpm @ 13.8 bar)**  
PART NO. 431104

**FJM-80 SPO with suction hose\***  
800 gpm @ 200 psi (3000 Lpm @ 13.8 bar)  
PART NO. 431105

**FJM-80-SWTO Self-Educting, Water Oscillating**  
PART NO. 433806

**FJM-80-WTO Water Oscillating**  
PART NO. 433233

**FJM-100, 1600 gpm @ 232 psi (6000 Lpm @ 16 bar)**  
PART NO. 431106

**FJM-100 S with suction hose\***  
1600 gpm @ 232 psi (6000 Lpm @ 16 bar)  
PART NO. 431107

**FJM-100/C/MV EL\*\***  
1600 gpm @ 232 psi (6000 Lpm @ 16 bar)  
PART NO. 431108

**FJM-100-WTO Water Oscillating**  
PART NO. 432643



MODEL FJM-80



MODEL FJM-200

**FJM-100-WTO-S Water Oscillating**  
PART NO. 432704

**FJM-150, 3100 gpm @ 232 psi (11,700 Lpm @ 16 bar)**  
PART NO. 431109

**FJM-150 S with 2 in. suction hose\***  
3100 gpm @ 232 psi (11,700 Lpm @ 16 bar)  
PART NO. 431110

**FJM-150 G, 3100 gpm @ 232 psi**  
(11,700 Lpm @ 16 bar)  
PART NO. 431111

**FJM-150 S G with 2 in. suction hose\***  
3100 gpm @ 232 psi (11,700 Lpm @ 16 bar)  
PART NO. 431112

**FJM-150/C/MV EL\*\***  
3100 gpm @ 232 psi (11,700 Lpm @ 16 bar)  
PART NO. 431113

**FJM-150-WTO Water Oscillating**  
PART NO. 433235

**FJM-200/C/MV G, 5300 gpm @ 232 psi (20,000 Lpm @ 16 bar)**  
PART NO. 431114

**FJM-200/C/MV S G with suction hose\***  
5300 gpm @ 232 psi (20,000 Lpm @ 16 bar)  
PART NO. 431115

**FJM-200/C/MV EL/MV\*\***  
5300 gpm @ 232 psi (20,000 Lpm @ 16 bar)  
PART NO. 431116

\* Specify flow, inlet pressure, concentrate and % concentration

\*\* Specify voltage and current type

EL = electric gear motor driven; G = gear operated; O = water oscillating;  
P = portable; S = self-educing

# Master Stream Monitor Nozzles

## Industrial Nozzles

Fixed orifice constant flow monitor nozzle. User adjustable fog angle from 90° to straight stream. 2-1/2 in. FNHT. Anodized CR Aluminum with UV-resistant rubber bumper. Recommended for use with Protector Station, MM-1000, WOM-3 and WOM-4 monitors.

### Industrial Nozzle, 350

350 gpm @ 100 psi (1325 Lpm @ 7 bar). Range is 183 ft @ 100 psi (55.8 m @ 7 bar).

**PART NO. 427471**

### Industrial Nozzle, 500

500 gpm @ 100 psi (1893 Lpm @ 7 bar). User adjustable fog angle from 90° and straight stream. Range is 200 ft @ 100 psi (61 m @ 7 bar).

**PART NO. 427472**

### Industrial Nozzle, 750

750 gpm @ 100 psi (2839 Lpm @ 7 bar). User adjustable fog angle from 90° and straight stream. Range is 219 ft @ 100 psi (66.8 m @ 7 bar).

**PART NO. 427473**

### Industrial Nozzle, Specify gpm

Specify flow and pressure when ordering. Factory ordered fixed orifice: K-factors of 15-75. User adjustable fog angle from 90° and straight stream.

**PART NO. 427474** (Specify Flow and Pressure)

## M-IF Nozzle

Fixed orifice constant flow monitor nozzle. Clean, far-reaching straight stream with flows up to 1050 gpm (3975 Lpm). Also adjustable to dense fog. Factory ordered fixed orifice: K-factors of 75-105. 2-1/2 in. FNHT. Hard-coat anodized aluminum.

**PART NO. 427475**

(Specify Flow and Pressure)



## Master Stream 2000 Nozzle

300-2000 gpm @ 100 psi (1136-7571 Lpm @ 7 bar). Automatic high volume master stream nozzle designed to a constant 100 psi (7 bar) at the nozzle throughout its range. Lightweight hardcoat anodized aluminum provides maximum resistance to corrosion and water. Recommended for use with ANSUL's WOM-4 Manual Monitor.

**PART NO. 427470**



# Master Foam Monitor Nozzles

## Self-Educting Nozzles

Educts foam concentrate at 0.5, 1, 3, or 6%. User adjustable fog angle from 120° and straight stream. Anodized aluminum with UV-resistant rubber bumper. 2-1/2 in. FNHT. Recommended for use with Protector Station, MM-1000 or SS-MM-1000 monitors.

350 gpm @ 100 psi (1325 Lpm @ 7 bar). Range up to 160 ft @ 100 psi (55.8 m @ 7 bar).

PART NO. 427460

PART NO. 427463 – 3X3LV ORIFICE

500 gpm @ 100 psi (1893 Lpm @ 7 bar). Range up to 175 ft @ 100 psi (61 m @ 7 bar).

PART NO. 427461

PART NO. 427464 – 3X3LV ORIFICE

750 gpm @ 100 psi (2839 Lpm @ 7 bar). Range up to 190 ft @ 100 psi (66.8 m @ 7 bar).

PART NO. 427462

PART NO. 427465 – 3X3LV ORIFICE



Protector Station Monitor and Hose Not Included

## Self-Educting Monitor Connection Kits

Single Foam Drum Kit, 45 in. (1143 mm)

PART NO. 428925

Dual Foam Drum Kit, 45 in. (1143 mm)

PART NO. 429414

Add-on Foam Drum Kit, 45 in. (1143 mm)

PART NO. 428926

FJM-80S, Kit Connection to Drum Kit

PART NO. 434980

FJM-100S, 150S, 200S, Kit Connection to Drum Kit

PART NO. 434981

FJM-80S, Tote Connection Kit

PART NO. 434985

FJM-100S, 150S, 200S, Tote Connection Kit

PART NO. 434982

Master Foam Nozzle, Tote Connection Kit

PART NO. 434984

Vacuum Relief, Assembly for Totes

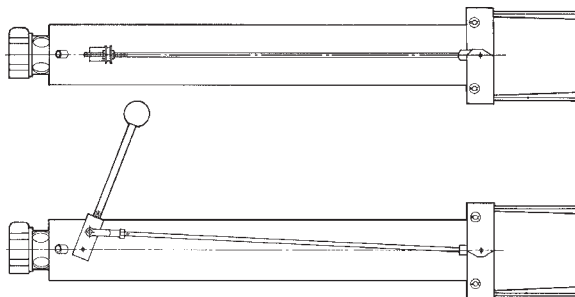
PART NO. 434983

The Dual Foam Drum Kit = Single Foam Drum Kit + Add-on Foam Drum Kit

# Air-Aspirating Foam Nozzles

## AFN-1 Nozzles

Orifice plates can be sized from 250-1000 gpm (946-3785 Lpm) based on inlet pressure. Range from 50-190 ft (15-58 m) depending on pressure and elevation. 2-1/2 in. FNHT inlet swivel coupling attaches to WOM-3, MM-1000, or WOM-4 monitor with adaptor. Hard anodized aluminum with stainless steel fasteners and adjustment rod.



### AFN-1 Nozzle

Field adjustable stream pattern from even fan to full straight stream.

PART NO. 400200

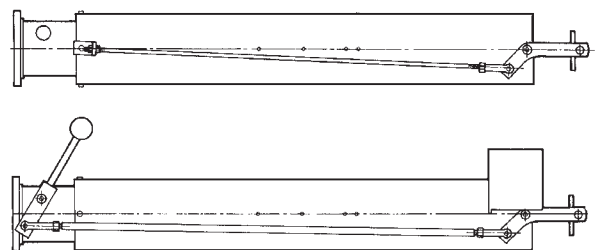
### AFN-1M Nozzle

Lever-operated stream pattern from even fan to full straight stream.

PART NO. 400336

## AFN-2 Nozzles

Orifice plates can be sized from 700-2000 gpm (2560-7571 Lpm) based on inlet pressure. Range from 60-200 ft (18-61 m) depending on pressure and elevation. Special flange inlet joint and O-ring attaches to WOM-4 monitor. Hard anodized aluminum with stainless steel fasteners and adjustment rod.



### AFN-2 Nozzle

Field adjustable stream pattern: dispersed or full straight stream.

PART NO. 77088

### AFN-2M Nozzle

Lever-operated stream pattern: dispersed or full straight stream.

PART NO. 77115

**CALL ANSUL IF STAINLESS STEEL NOZZLE IS REQUIRED!**

# MOBILCART

## 36-Gallon Foam Cart

The ANSUL Mobile firefighting foam-attack cart is a self-contained fast-response cart ideal for small fires and chemical spills. It comes with a 36-gallon foam concentrate tank, a choice of three different types of nozzles at flows of 60 or 120 gpm (227 or 454 Lpm), a matching eductor, and two 50 ft (15.2 m) lengths of 1-3/4 in. double-jacketed and lined firehose with NHT fittings. Please specify nozzle and part number when ordering.

**Cart with 60 gpm (227 Lpm) Low Expansion KR-S2 Foam Nozzle**  
PART NO. 429952

**Cart with 60 gpm (227 Lpm) Medium Expansion KR-M2 Foam Nozzle**  
PART NO. 429953

**Cart with 60 gpm (227 Lpm) Waterfog Nozzle**  
PART NO. 429954

**Cart with 120 gpm (454 Lpm) Low Expansion KR-S4 Foam Nozzle**  
PART NO. 429955

**Cart with 120 gpm (454 Lpm) Medium Expansion KR-M4 Foam Nozzle**  
PART NO. 429956

**Cart with 120 gpm (454 Lpm) Waterfog Nozzle**  
PART NO. 429957



# Proportioning Foam Trailers

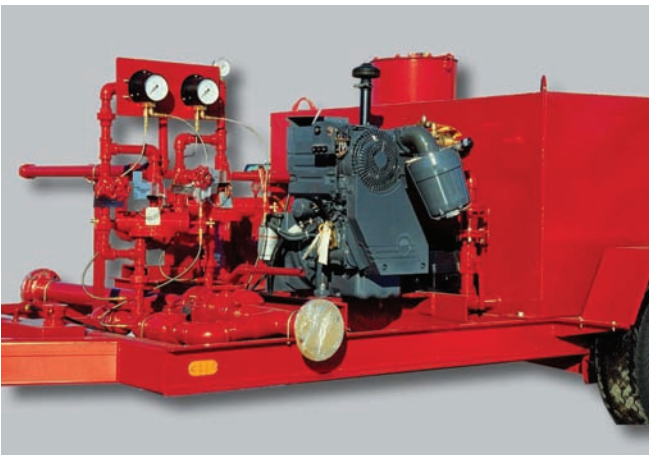
## Proportioning Foam Trailer

Trailer assembly constructed of structural steel channel with axle(s), wheels and tires designed to carry gross weight of trailer with equipment including carbon steel tank with removable gasketed top, in-line balanced pressure proportioning system and positive displacement foam concentrate pump.

**PTF-500, 500 gal (1893 L)**  
PART NO. 415144

**PTF-750, 750 gal (2839 L)**  
PART NO. 415145

**PTF-1000, 1000 gal (3785 L)**  
PART NO. 415146



## Master Foam Tote-Trailer

Trailer assembly constructed of structural steel channel with axle(s), wheels and tires designed to carry gross weight of trailer with equipment including 265 gal (1003 L) capacity foam tote tank made of high-density polyethylene and protected by a rigid welded galvanized tubular steel grid. Also includes a Protector Station Monitor with built-in on/off valve and ANSUL Master Foam nozzle.

PART NO. 428560



**Dual Tote Trailer (not pictured)**  
PART NO. 471019

# Around-the-Pump Proportioners

## Around-the-Pump Proportioner

Proportions foam concentrate and water at the desired percentage in a fire pump system. The number of different foam concentrates is only limited by available space as each foam concentrate requires its own separate tank. Can be used for various shipboard applications. Water flow rates listed apply to 3% ANSUL foam concentrates.

**Model Dual B-2 Pkg.** 20-400 gpm (76-1515 Lpm), ATP, Class A and B

**PART NO. 420011**

**Model B-2 Pkg.** 20-400 gpm (76-1515 Lpm), ATP, Class B

**PART NO. 420012**

**Model W-2 Pkg.** 20-400 gpm (76-1515 Lpm), ATP, Class A

**PART NO. 420013**

**Model 1200 Pkg.** 60-1200 gpm (227-4543 Lpm), ATP, Class B

**PART NO. 420014**

**Model 1600 Pkg.** 150-1600 gpm (568-6057 Lpm), ATP, Class B

**PART NO. 420015**

**Eductor**

**PART NO. 420016**

**Metering Valve, 1-L**

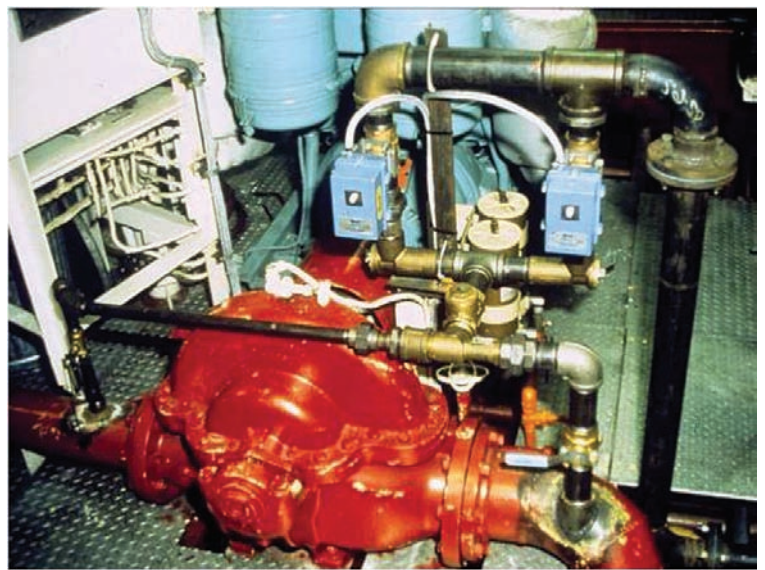
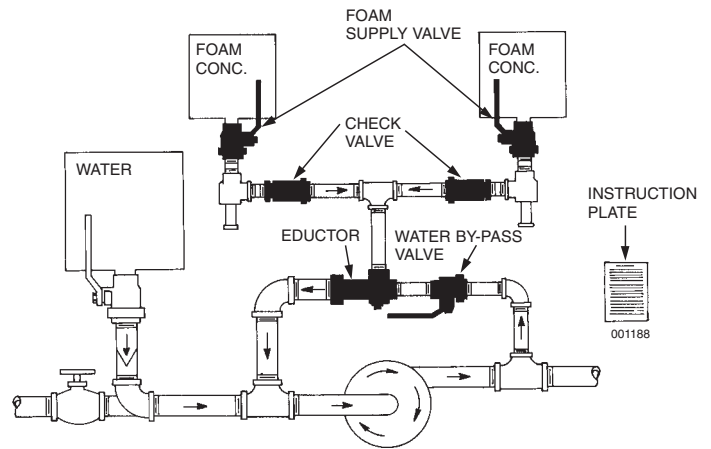
**PART NO. 420017**

**Metering Valve, 1-W**

**PART NO. 420018**

**Metering Valve, Panel Mount**

**PART NO. 420019**



# 36-Gallon Foam Station

## Bladder Tank

Elastomeric bladder stores foam liquid concentrate discharged by incoming water applying pressure to bladder (not shown).

### Standard Red Paint

PART NO. 404127

## Bladder Tank Pre-Piped to 2 in. Proportioner

Bladder tank with 2 in. proportioner for nominal flow range of 30-300 gpm (114-1136 Lpm).

### Standard Red Paint

PART NO. 403942



## Foam Station with Hose Reel and Nozzle

Continuous flow hose reel with straight-through internal fittings, designed to provide a minimum pressure drop. 1-1/2 in. hard rubber booster hose. Nozzle is variable stream (water/AFFF), rated for nominal flow of 95 gpm (379 Lpm) at 100 psi (7 bar).

### Standard Red Paint, 75 ft (23 m) hose

PART NO. 76400

### Standard Red Paint, 100 ft (30.5 m) hose

PART NO. 404103



# Floating Roof Foam Makers

## Floating Roof Foam Maker, Stainless Steel

Flow ranges based on 30 psi (2 bar) for smallest orifice and 150 psi (10 bar) for largest. Removable orifice plate delivers foam solution over a range of flow rates depending on inlet pressure.

### FLR-30

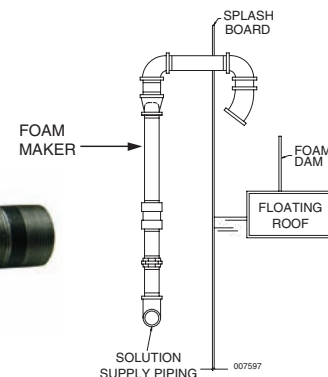
7-71 gpm (26-269 Lpm) flow range.

PART NO. 75615

### FLR-90

31-184 gpm (117-696 Lpm) flow range.

PART NO. 75633



## Floating Roof Foam Pourers

Air-aspirating foam discharge device designed to protect floating roof, flammable liquid storage tanks. Classified as Type II discharge device in accordance with NFPA 11, "Standard for Low-Expansion Foam." Pressure range 30-150 psi (2-10 bar). Designed for UL Listed floating roof foam maker.

### FLR-30-FP

7-71 gpm (26-269 Lpm) flow range.

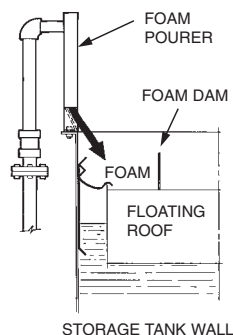
A stainless steel foam solution strainer is provided.

PART NO. 428170

### FLR-90-FP

31-184 gpm (117-696 Lpm) flow range

PART NO. 428171



# Foam Chambers/Accessories

## Foam Chamber/Maker

Air-aspirating foam discharge device used to protect flammable liquid storage tanks. Foam expansion chamber, integral foam maker, stainless steel screened air inlet and orifice plate. Flow range: 49-151 gpm (185-572 Lpm) at 40-100 psi (3-7 bar).

### AFC-90

Flow range: 49-151 gpm (185-572 Lpm) at 40-100 psi (3-7 bar)

**AFC-90, Primed, PART NO. 75887**

**AFC-90, Standard Red Paint, PART NO. 75883**

### AFC-170

Flow range: 94-279 gpm (356-1033 Lpm) at 40-100 psi (3-7 bar)

**AFC-170, Primed, PART NO. 75888**

**AFC-170, Standard Red Paint, PART NO. 75884**

### AFC-330

Flow range: 183-610 gpm (693-2309 Lpm) at 40-100 psi (3-7 bar)

**AFC-330, Primed, PART NO. 75889**

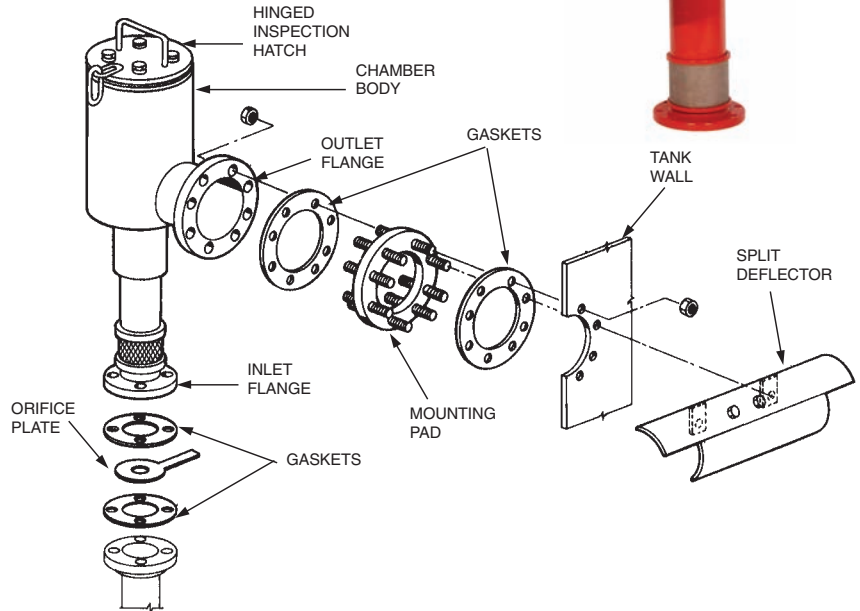
**AFC-330, Standard Red Paint, PART NO. 75885**

### AFC-550

Flow range: 350-980 gpm (1325-3709 Lpm) at 40-100 psi (3-7 bar)

**AFC-550, Primed, PART NO. 75890**

**AFC-550, Standard Red Paint, PART NO. 75886**



**CALL ANSUL IF CR 'CORROSION RESISTANT' PAINT SYSTEM IS REQUIRED!**

## Foam Chamber/Maker Split Deflector

Directs foam stream down tank sidewall to lessen the submergence of the foam and agitation of the fuel surface. Allows for bolting or welding to storage tanks.

**AFC-90, Primed, PART NO. 74376**

**AFC-170, Primed, PART NO. 74380**

**AFC-330, Primed, PART NO. 74384**

**AFC-550, Primed, PART NO. 74388**



## Foam Chamber Mounting Pad

Used to bolt foam chamber and deflector to storage tank. Contains mounting studs to fit standard flange holes.

**AFC-90 Mounting Pad, Primed, PART NO. 74392**

**AFC-170 Mounting Pad, Primed, PART NO. 74396**

**AFC-330 Mounting Pad, Primed, PART NO. 74400**

**AFC-550 Mounting Pad, Primed, PART NO. 74404**

## Foam Chamber Vapor Seal Assembly

Teflon construction, meets UL required burst pressure range of 10-25 psi (0.7-1.7 bar)

**AFC-90 Vapor Seal Assembly, PART NO. 418581**

**AFC-170 Vapor Seal Assembly, PART NO. 418582**

**AFC-330 Vapor Seal Assembly, PART NO. 418583**

**AFC-550 Vapor Seal Assembly, PART NO. 418584**

**AFC-90 Cover Gasket, PART NO. 75985**

**AFC-170 Cover Gasket, PART NO. 75986**

**AFC-330 Cover Gasket, PART NO. 75987**

**AFC-550 Cover Gasket, PART NO. 75988**

## Foam Chamber Orifice Plate

Removable, sized to deliver the required flow rate of foam solution at a specified inlet pressure.

**AFC-90 Orifice Plate, PART NO. 74610**

**AFC-170 Orifice Plate, PART NO. 74611**

**AFC-330 Orifice Plate, PART NO. 74612**

**AFC-550 Orifice Plate, PART NO. 74613**

## Foam Chamber Diverter Test Tube

Used for foam solution quality testing.

**AFC-90 Foam Diverter Test Tube, PART NO. 74408**

**AFC-170 Foam Diverter Test Tube, PART NO. 74412**

**AFC-330 Foam Diverter Test Tube, PART NO. 74416**

**AFC-550 Foam Diverter Test Tube, PART NO. 74420**

**Foam Chamber Cover Screw, All Models, PART NO. 75968**

# JET-X High-Expansion Generators/Accessories

## High-Expansion Generators/Accessories

Water-powered. Designed to deliver JET-X high-expansion foam with a maximum output capacity of 28,800 cfm. The generators are of steel construction with a water powered motor and stainless steel foam screen. No electrical power is required. The generators come in various sizes and are used for both portable and fixed-system applications.

### High-Expansion Generator, JET-X-2A

2 %: 2,777 cfm (78.6 cmm) @ 75 psi (5 bar). UL Listed.  
PART NO. 420001

### High-Expansion Generator, JET-X-5A

2 %: 9,383 cfm (265.7 cmm) @ 75 psi (5 bar). UL Listed.  
PART NO. 420003

### High-Expansion Generator, JET-X-15A (UL)

2 %: 19,141 cfm (542.0 cmm) @ 75 psi (5 bar). UL Listed.  
PART NO. 420005

### High-Expansion Generator, JET-X-15A (LNG)

2 %: 17,769 cfm (503.2 cmm) @ 75 psi (5 bar).  
UL Listed.  
PART NO. 420007

### High-Expansion Generator, JET-X-15A (FM)

2 3/4%: 17,985 cfm (509.3 cmm) @ 75 psi (5 bar).  
FM Approved with 2 3/4% concentrate only.  
PART NO. 420006

### High-Expansion Generator, JET-X-20

2 3/4%: 21,145 cfm (598.8 cmm) @ 75 psi (5 bar).  
UL Listed.  
PART NO. 421590

### High-Expansion Generator, JET-X-27

2 %: 27,303 cfm (773.1 cmm) @ 75 psi (5 bar).  
UL Listed with 2% concentrate only.  
PART NO. 436899



## Portable High-Expansion Foam Generators

Portable foam generator may be used for total flooding or local application. Minimizes water damage. Supplied with 100 ft (30 m) of expandable polyethylene ducting. Common applications include warehouses, ship holds, engine rooms, enclosed spaces and mining. Corrosion-resistant pipe work and fittings.

### JET-X-PFG-7

7,200 cfm (204 cmm) @ 145 psi (10 bar)  
PART NO. 430837

### JET-X-PFG-M

2,600 cfm (74 cmm) @ 123 psi (8.5 bar)  
PART NO. 430839



# Foam Systems Training

## Foam Systems Design and Specification Training

This program is recommended for all personnel involved in the specification, design, installation or commissioning of foam systems. It includes all areas of the design, equipment selection, foam agent application and installation of fixed foam systems for a variety of hazards in accordance with NFPA Standards. Special emphasis is given to the identification and specifications of all component parts of the different fixed foam systems.

### Day 1

- Foam Agents
- Foam System Discharge Devices and Mobile Equipment
- Foam System Component Requirements
  - Bladder Tank Systems
  - Pump Systems
  - Line Proportioner Systems
- Sprinkler Systems – Types and Applications

### Day 2

- Foam System Design Procedures and Bills of Material Preparation
- Closed-Head Foam-Water Sprinkler Systems and Flammable Liquid Storage – NFPA 16 and 30
- Aircraft Hangers – NFPA 409
- High-Expansion Systems – NFPA 11

### Day 3 (a.m. only)

- Fuel Storage Tanks – NFPA 11
- Truck/Rail Car Loading Facilities – NFPA 11 and 16
- Foam System Check-out Procedures
- Bladder Tank Filling Procedures

## Foam Systems Service and Maintenance Training

This program will provide an overview of the basic types of fixed foam systems but will focus on the correct service and maintenance procedures for the various systems. Students will have an opportunity for actual hands-on experience on foam testing procedures, bladder tank filling and more.

### Day 1

- Foam Agents – AFFF, Class A, High-Expansion
- Foam System Discharge Devices and Mobile Equipment
- Foam System Component Requirements
  - Bladder Tank Systems
  - Pump Systems
  - Line Proportioner Systems
- Sprinkler Systems – Types and Applications
- Overview of Foam System Design

### Day 2

- The Environment and Disposal Issues
- Fixed Foam System Commissioning Procedures
  - Refractive Index Testing
  - Conductivity Testing
  - Bladder Tank Filling
  - Oscillating Monitor Adjustment and Winterizing
  - Pressure Regulating Valve Adjustment and Testing



# Is Your Foam Washed Up?

The only way to be sure of foam quality is through annual testing,  
as recommended by NFPA 11...

NFPA 11: Standard for Low-Expansion Foam, Chapter 7.2, Foam Concentrate Inspection, states: At least annually, an inspection shall be made of foam concentrates and their tanks or storage containers for evidence of excessive sludging or deterioration. Samples of concentrates shall be sent to the manufacturer or qualified laboratory for quality condition testing. Quantity of concentrate in storage shall meet design requirements, and tanks or containers shall normally be kept full, with adequate space allowed for expansion.

## We Put It to the Test

Tyco Fire Protection Products is a full line foam manufacturer with a Qualified Agents Laboratory equipped to conduct a complete quality analysis with each foam sample you send (including foams from other manufacturers). The analysis includes:

- pH
- Density
- Refractive Index
- Foam Quality
- Fire Performance
- Comments and Recommendations



The ANSUL Foam Agent Test Kit provides the containers and instructions to facilitate taking samples and shipping them to our laboratory.

Order the ANSUL Foam Agent Test Kit (Part No. 428679) from your local distributor  
or call us at 1-800-862-6785 or 1-715-735-7415



**tyco**  
*Fire Protection  
Products*

One Stanton Street  
Marinette, WI 54143-2542  
USA

800-862-6785 (United States, Canada)  
+1-715-735-7411 (International)  
[www.ansul.com](http://www.ansul.com)



**TORVAC**  
SOLUTIONS

**FIRE PROTECTION SPECIALISTS**  
T 02 9524 7770 F 02 8521 7343 E [info@torvac.com.au](mailto:info@torvac.com.au)  
[www.torvac.com.au](http://www.torvac.com.au)