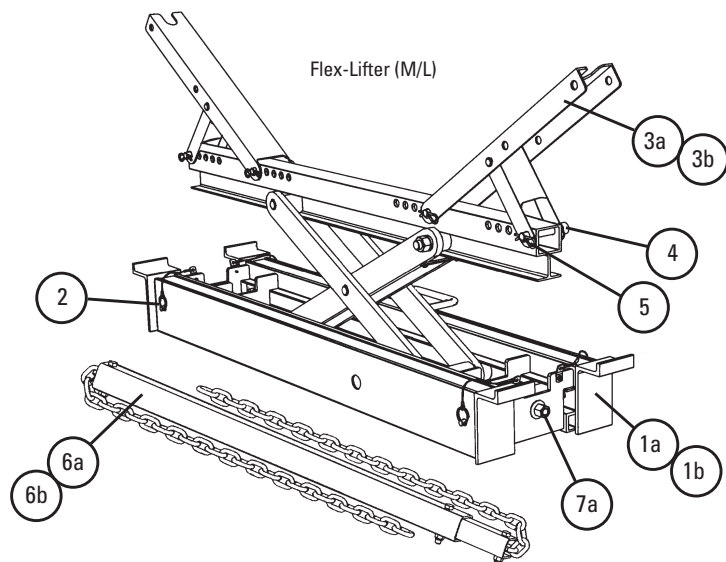


# Flexco® Belt Maintenance Tools

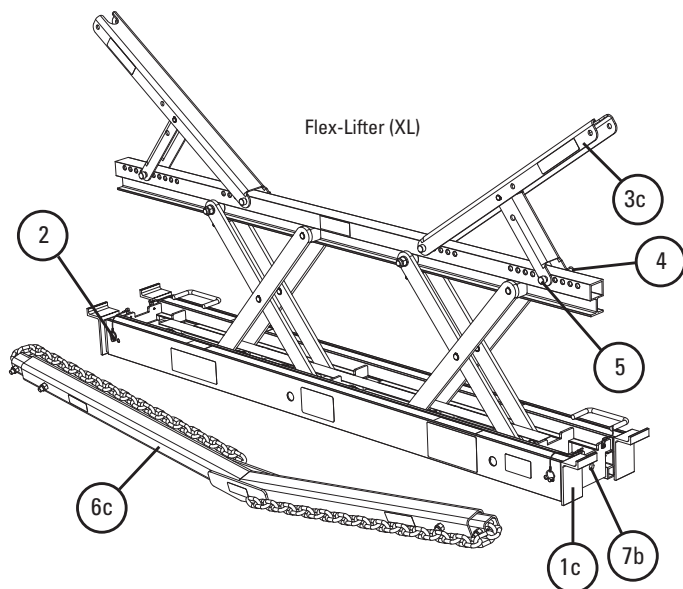
## FLEX-LIFTER™ Modelo M y L



### Partes Repuestos

REF.	DESCRIPCION	NUMERO
1a	Extension Leg - Medium	FLEL-M
1b	Extension Leg - Large	FLEL-L
1c	Extension Leg Kit- XL (includes 2 ext. legs)	FLELK-XL
2	Extension Leg Pin (with lanyard)	FLELP
3a	Trough Wing - Medium (with brace)	FLTW-M-SP
3b	Trough Wing - Large (with brace)	FLTW-L-SP
3c	Trough Wing - XL (with brace)	FLTW-XL-SP
4	Retainer Pin Pack (includes 4 pins)	FLRP
5	Retainer Clip Pack (includes 4 clips)	FLCP
6a	Return Lift Bar - Medium	FLRLB-M-SP
6b	Return Lift Bar - Large	FLRLB-L-SP
6c	V-Return Lift Bar - XL	FLVRL-XL-SP
7a	Shear Pin Kits - Medium/Large	FL-PKIT-ML
7b	Shear Pin Kits - XL	FL-PKIT-XL

## FLEX-LIFTER™ Modelo XL



Industrial Agroandina Ltda.  
 María Auxiliadora 871 San Miguel / Santiago  
 e-mail: [ventas@induagro.cl](mailto:ventas@induagro.cl) [www.induagro.cl](http://www.induagro.cl)

©2017 Flexible Steel Lacing Company. 10/17/17. Para hacer otro pedido: X4608

**INDUSTRIAL** **AGROANDINA** LTDA.  
 María Auxiliadora #871, Santiago-Chile  
 ventas@induagro.cl www.induagro.cl

