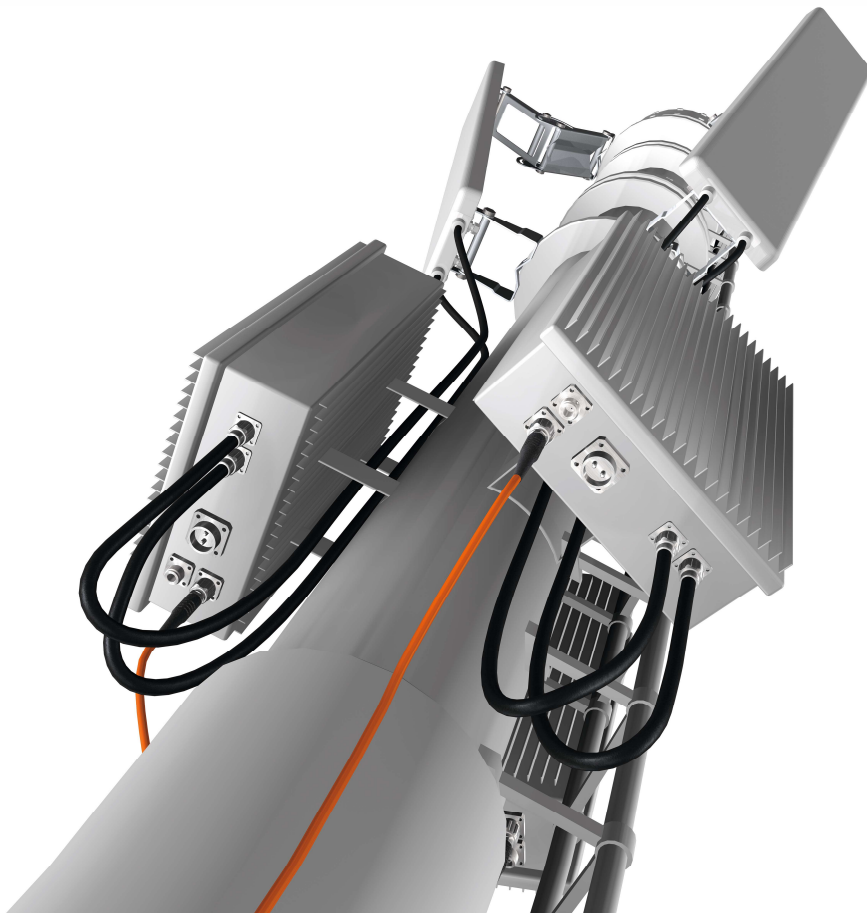


General Overview

RF Products for the Industry Market

Edition 2020



Industry



The automated exchange of information between devices such as machines and robots or with a central control room is increasing taking place using cable-based networks, Wi-Fi or mobile communication networks.

The robust antennas and wide portfolio of radio frequency, fiber optic and databus cables and connectors provide secure data connections suited to the individual situation.

Antennas - Omni

Omni - S



Key features

- Supporting mobile bands LTE 790 to 960 MHz, Cellular 1710 to 2170 and LTE 2300, 2500, 2600 MHz bands,
- Ingress protection IP66/IP67 (IP69k), SISO and MIMO options

Omni - S



Key features

- Small Omni-directional outdoor antenna for Wi-Fi applications,
- Supports the 2.4 and 5.8 GHz band,

Omni stick antennas



Key features SWA 0827/360/2/0/V

- Frequency range 790-960 MHz 1710-2690 MHz
- Cellular microcells for 2G, 3G, 4G (LTE 800, LTE 2300 and LTE 2600) Wi-Fi 2.4 GHz band
- Outdoor prove (IP67)
- Mounting bracket included

Antennas - SENCITY® Directional Antennas

SENCITY Spot-S antenna family

Small directional for railway applications

Features

- High gain antenna for 2.4 / 5 GHz Wi-Fi bands
- Up to 3 radiators in one housing
- SISO and MIMO versions
- Pole or wall mounting options
- EN 50155/EN 45545-2 compliant
- Temperature range -40 to +85°C*



Mounting adaptor plate



Optional L- bracket



Benefits

- Very compact and slim size allows installations in almost every application scenario
- Wide product range with same housing dimensions allow easy product upgrades i.e. from SISO to MIMO

Spot-M Yagi



Key features

- Supports WLAN / Wi-Fi acc. to IEEE 802.11 b/g,
- 14 dBi high gain version,
- Railway approved acc. to EN50125-3 and EN 45545-2.

Spot-L



Key features

- Wi-Fi, RFID and LORA applications,
- In and outdoor applications – IP67,
- MIMO options.

Antennas

Sencity Road antenna family

Customizable multi-port roof-top antennas for bus/truck and light rail vehicles

Features

- Up to 4 antenna ports serving FM, TETRA, cellular, Wi-Fi, GNSS
- Cellular 2x2 and Wi-Fi 3x3 MIMO
- Embedded GNSS antenna/LNA
- Single hole mounting
- High voltage protection
- ISO 16750/ECE-R118 compliant
- EN 50155/EN 45545-2 compliant
- Temperature range -40 to +85°C
- IP69 ingress protection level
- E-/CE-certified



Benefits

- 4-in-1 concept reduces effort to mount single antennas
- Same mounting footprint for all variants reduces engineering effort
- Large diameter single hole mounting allows easy cable feed through and upgrade of antennas
- Allows easy installation w/o external metal ground plane
- Can be customized to meet project specific needs

Antennas

Sencity® Rail antenna family



Features:

- Railway rooftop antenna for GSM-R 900
- Rugged design, meets EN 50155 railway standard
- Fire retardant acc. to DIN 5510-2, BS 6853, NF F16-101/102, EN 45545-2
- Works also on non-metallic surfaces

Sencity® Rail antenna family – low profile

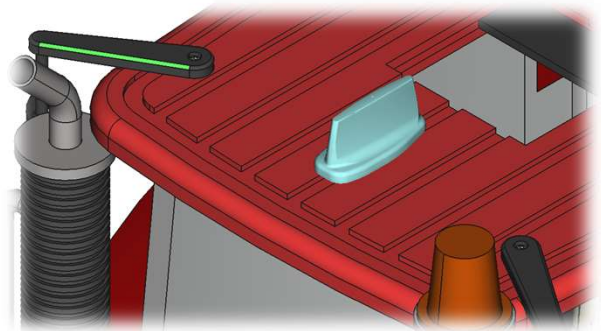


Features:

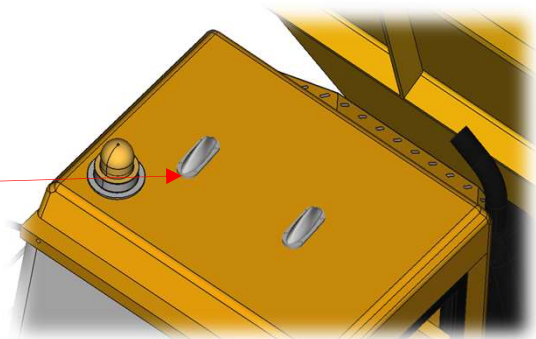
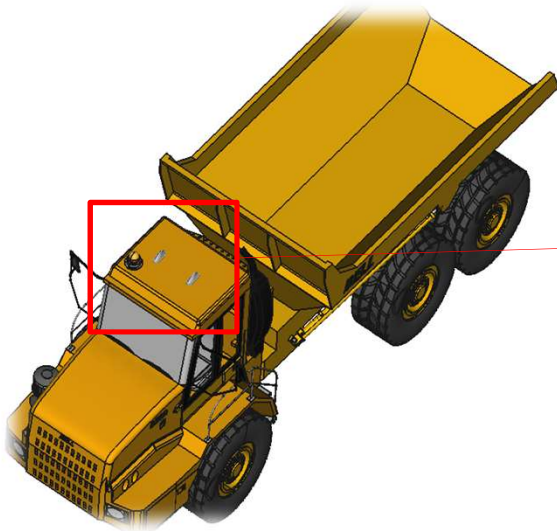
- Railway rooftop antenna for GSM-R 900,
- Rugged design, meets EN 50155 railway standard,
- Fire retardant acc. to DIN 5510-2, BS 6853, NF F16-101/102, EN 45545-2,
- Works also on non-metallic surfaces,
- MIMO possibilities

Applications

Road Mounting example



Rail Mounting example



Cables

Bestseller: Enviroflex cables



Features:

- Halogen free RG replacement
- RADOX® jacket Material
- UL-Approved cable portfolio
- Low Smoke flame retardant material
- Halogen-free alternatives to coaxial cables containing fluorine

Benefits:

- RG standard
- Extended temperature range
- High power

Spuma



Very flexible, halogen-free coaxial cables with outstanding return loss for applications up to 6 GHz

- Low-loss cables for frequencies up to 6 GHz
- Flame-retardant cable types (LSFH)
- Outstanding return loss
- High flexibility

Benefits:

- Low Loss
- Excellent shielding
- Mostly Halogen free
- Flame retardant

Lightning protector



- Four decades of experience in developing and manufacturing coaxial – and data line HEMP and LEMP protectors are the foundation of our current EMP protector portfolio and have made
- HUBER+SUHNER a first stop for protection solutions in defence applications. HUBER+SUHNER offers protection components for land based, airborne and naval tactical communications as well as for navigation, radar and electronic warfare applications.

Passive Components

Couplers



Multiplexers



Power splitters



Terminators



Attenuators



Tappers



RF over Fiber

RF over Fiber Advantages (RFoF)

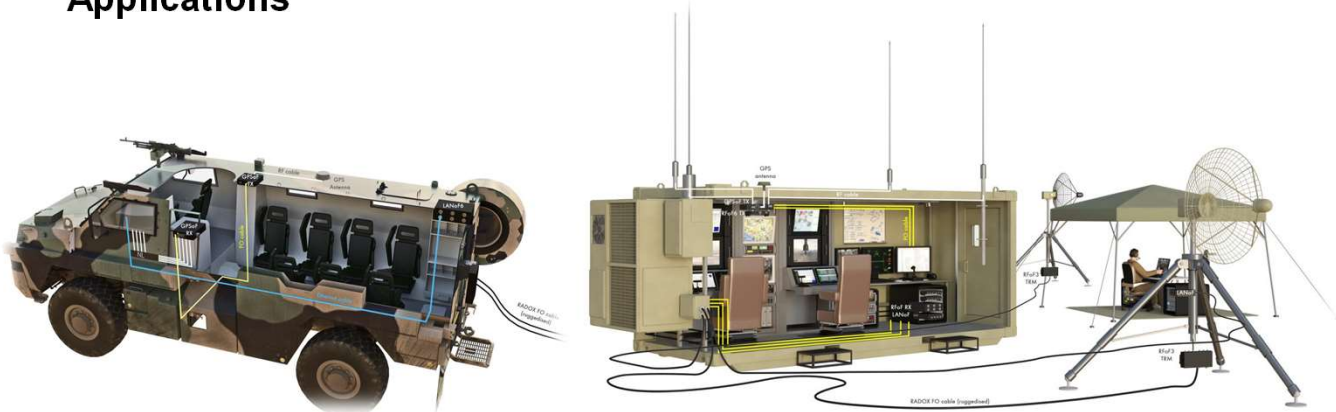
- Allow for greater distances between RF links,
- Are immune to EMI & RFI,
- Are immune to EMP,
- Are more difficult to intercept (“tap”),
- Are lighter in weight,
- Broadband bandwidth.
- CATV applications



GPS - over - Fiber (GPSoF) Products



Applications



HUBER+SUHNER América Latina Ltda.

Rodovia Presidente Dutra, km 134 Caçapava – SP / Brasil CEP:

12286-160

Tel: +55 12 3657-1000

www.hubersuhner.com