



Desalination

Reverse osmosis systems in desalination plants rely on precise and effective chemical dosing in order to prevent biofouling, scaling, foaming and corrosion that can damage membranes.

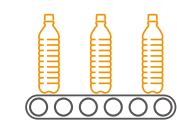
Exakta pumps deliver first-class metering accuracy for the dosing of flocculant, coagulant, chlorine and antiscalant that help deliver safe drinking water and maximize the world's most precious resource.



Food & Beverage

From the dosing of ingredients to the injection of stabilizers up to the treatment of process waters, pumping systems are an essential component in food and beverage production.

Exakta's systems ensure accurate, consistent and reliable transfer and injection of liquid ingredients and additives to protect producers and consumers alike.



Plastic Production

Metering pumps are widely used in the injection of additives during manufacture of foam, insulation, protective coating, adhesives, packaging and countless other products made of polyethylene, polypropylene, polyurethane and polyamide.

Exakta's chemical dosing systems have the efficiency, flexibility and durability to provide safe operation, ensure tight tolerances on chemical dosing are met and guarantee product quality in continuous-running plastic production processes.



Metal and Mining Manufacture

High temperatures and continuous duty are just some of the challenging conditions faced by pumping systems in the extraction and refining of metal from the ore.

With modern steel mills producing a variety of metals, the versatility of Exakta pumps is a key asset, with operators increasingly seeking versatile systems to perform processes including water treatment for the pre-cooling process and treatment of sealing water.



Cement Manufacturing

The dosing of additives, treatment of process water and other key applications in cement manufacture require specialist industrial pumps that can deliver a consistently-high product standard.

Exakta process and metering pumps help at every stage, from the initial homogenization of slurry to correct its chemical composition to adding further chemicals during the grinding process to produce different formulae for waterproofing and corrosion-resistant cements.



Industrial Effluent Treatment

Industrial operations invariably generate some wastewater. Proper treatment of this effluent is crucial for both environmental and economic reasons.

Industrial wastewaters may include toxic and other harmful materials, the steam condensate returning from the process as well as components that are non-biodegradable or that can reduce the efficiency of wastewater-treatment system.



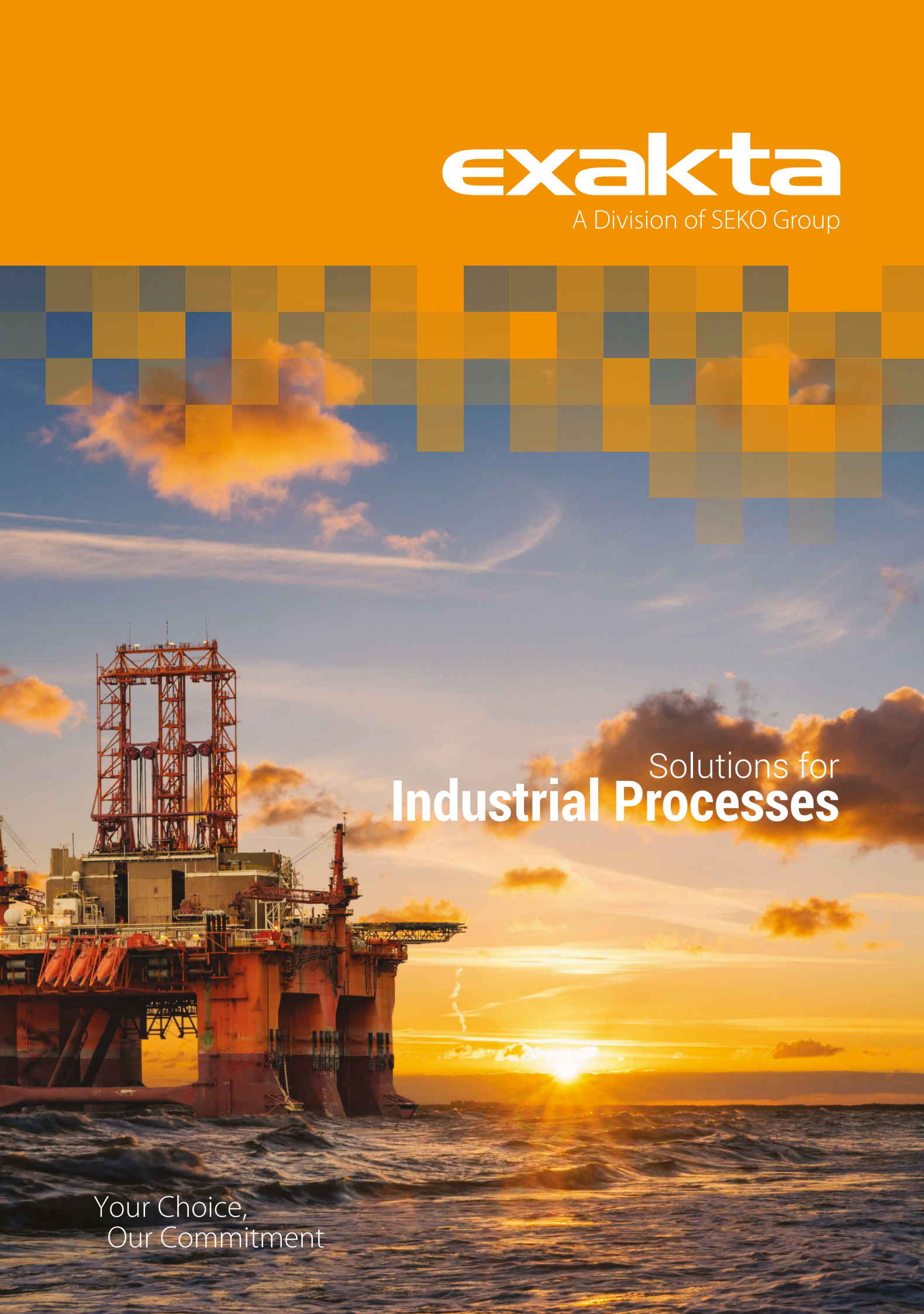
www.seko.com
www.exakta.com

Exakta reserves the right to amend and change specifications without prior notice. All pictures shown are for illustration purpose only. Actual product may vary due to product enhancement. Published data may be subject to change.

© 2020 EXAKTA, Layout and origin: UK, 850001 SIPFLY EN V01

exakta

A Division of SEKO Group



Solutions for Industrial Processes

Your Choice,
Our Commitment

Exakta Industry Sectors



Oil & Gas

From onshore to offshore, dosing solutions in the oil and gas industry must cope with stringent technical specifications and harsh environmental conditions.

In upstream, midstream and downstream processes, operators choose Exakta process and metering pumps for chemical injection to achieve superior performances, meeting stringent safety regulations and international requirements.



Chemical & Petrochemical

The chemical and petrochemical sectors present some of industry's most complex dosing challenges including the physical processes of refining crude oil into lubricating or fuel oil and the chemical conversion of feedstock into a wide range of chemicals.

Exakta's metering pumps serve these industries by delivering superior dosing precision alongside the capacity to handle highly-aggressive liquids such as toxic, corrosive and acidic solutions.



Oleochemicals

The oleochemicals industry – the extraction of fatty acids, fatty alcohols, methyl esters, fatty amines and glycerine from animal or vegetable fats – is a valuable and sustainable alternative to chemicals from hydrocarbon oils.

Exakta pumps are corrosion resistant, explosion proof and able to handle high-temperature media, making them ideal for this sector where pumps are often required to work continuously over long periods.



Fertilizers

Within agricultural applications, farmers face the ongoing challenge of achieving high yields, minimizing environmental impact and controlling costs when fertilizing crops.

With their high precision, range of flow rates and robustness, Exakta metering pumps enable fertilizer manufacturers to safely and sustainably produce primary and multicomponent fertilizers that can have a significant effect on yield and crop quality.



Power Generation

Chemical metering pumps used in power plants must meet the dual demands of precision and durability in order to help operators maintain efficient running and prevent costly unplanned downtime.

Exakta metering pumps are an essential aid to water treatment processes in thermal power plants, with their capacity for achieving highly-accurate dosage and flow rates making them ideal for injecting water-treatment chemicals into make-up water under pressure.



Ceramics

From tiles to automotive components, the ceramics industry demands premium quality across its processes in order to minimize scrapage caused by common problems such as pinholes and contamination.

An efficient, consistent and reliable Exakta metering or transfer pump can help deliver consistently high-quality products while minimizing additive and dye costs.

A key partner to heavy industry

Since 1963, operating originally as Bono Exacta, this business unit has become one of the world's leading manufacturers of process and metering pumps for heavy-duty applications under the name of SEKO Industrial Processes.

With vast experience providing integrated and customized dosing solutions across the oil and gas sector, Exakta's expertise means we're a trusted partner of the major players worldwide.



Committed to
Customer Satisfaction

At Exakta we work alongside our customers to deliver a bespoke advisory service at every stage. From early project development to on-site installation we assist in selecting the most suitable accessories, drafting ad-hoc reports, providing technical analysis and issuing predictive maintenance guidance for a complete turnkey service.

Working with sophisticated CAD stations, 3D modelling and FE software, skilled engineers provide design and solution engineering to meet the most demanding international standards including ASME, ANSI, BS and API, tailored to individual project specification.



Certified Manufacturing Processes

Since 1994 Exakta has operated in accordance with ISO 9001 quality management standards, today audited and certified by DET NORSKE VERITAS (DNV). This globally-recognized system ensures customer satisfaction through effective application of processes including:

- Sales process controls to ensure superior customer support
- Design innovation processes that deliver "state of the art" products for specific applications
- Centralized supply chain controls to minimize delivery times
- Strict quality controls on received and delivered materials

Lean manufacturing processes enables us to be highly flexible and responsive to customer demand and market changes while achieving outstanding environmental performance acknowledged by ISO 14001 certification.

Exakta's dedication to protecting the wellbeing of our employees has been recognised with ISO 45001 certification for occupational health and safety management, confirming an ongoing commitment to reducing workplace risks and creating healthy, safe working conditions for every member of the Exakta team.

Radix Series

Mechanical diaphragm and plunger spring return pumps

Consistent, economical and robust, the Radix series offers the ideal solution for the high-precision injection and metering of industrial chemicals in multiple application fields including water and wastewater treatment, desalination, food and beverage.



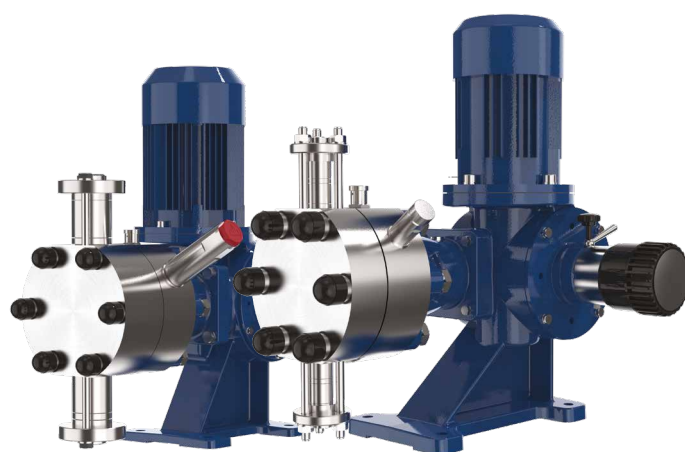
Technical Features

Pressure:	up to 20 bar (higher upon request)
Flow rate:	up to 1000 l/h
Mechanical diaphragm:	PTFE
Piston:	available as standard in SS 316 or ceramic
Wetted parts:	SS 316L, PVC, PP and PVDF

Nyva Series

Hydraulic diaphragm metering pumps

Delivering a high level of precision and repeatability in the metering of chemicals across a broad range of industrial processes, Nyva is the professional's choice for applications requiring reliability in even the most challenging environments.



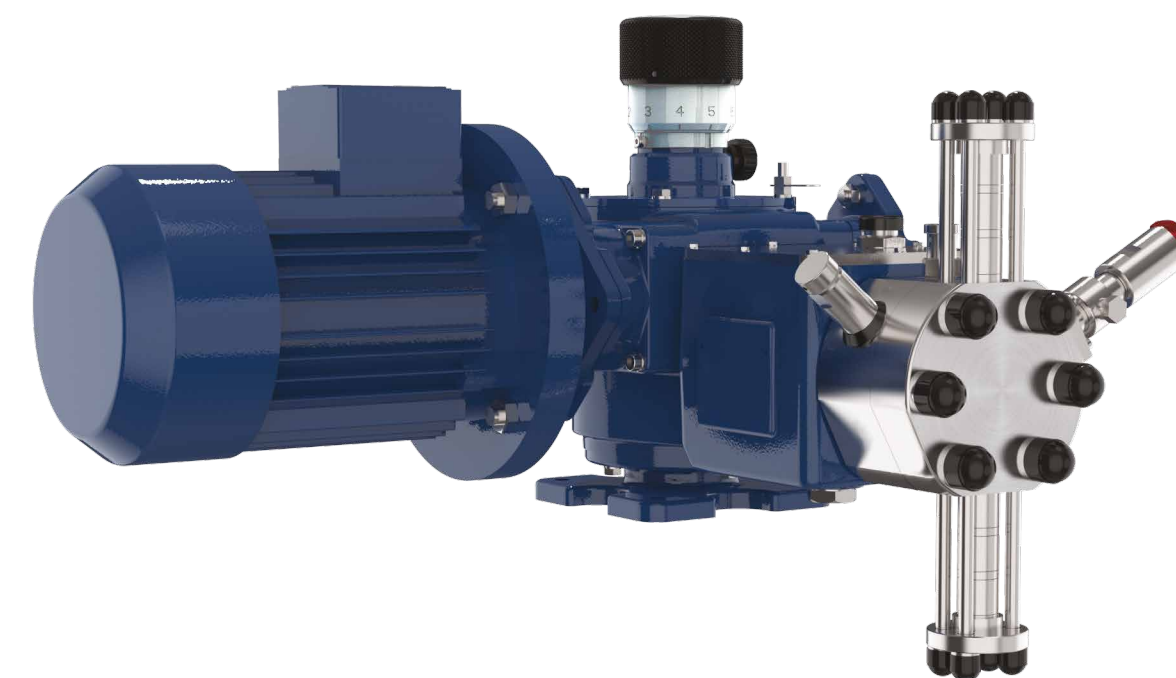
Technical Features

Flow rate:	up to 660 l/h
Pressure:	up to 124 bar
Material of pump head:	SS 316L, PP, PVDF and PVC-U
Stroke length:	10 to 25 mm
Diaphragm diameter:	12/ 15/ 20/ 30/ 35/ 40/ 50 mm
Motor:	0.18/ 0.25/ 0.75/ 1.1/ 1.5 kW

Nexa Series

Double-diaphragm and packed plunger pumps with full-motion mechanisms

Capable of superior performance in even the most severe operating conditions, the Nexa Series packed-plunger and hydraulic double-diaphragm metering pumps represent one of heavy industry's most versatile, robust and reliable fluid metering and dosing solutions.



Designed to meet API 675 3rd edition standard, Nexa's exceptional build quality enables stable dosing even under extreme operating pressures and temperatures, from chemical metering in oil and gas field applications to scaling and corrosion reduction in cooling water treatment.

Compliant to Norsok M-501 & M-630, NACE 0175, ATEX94/9/CE, TR CU 004-010-020-012/2011 and Shell DEP (various), Nexa can be safely operated in hazardous processes, reassuring operators of the pump's suitability regardless of the application.

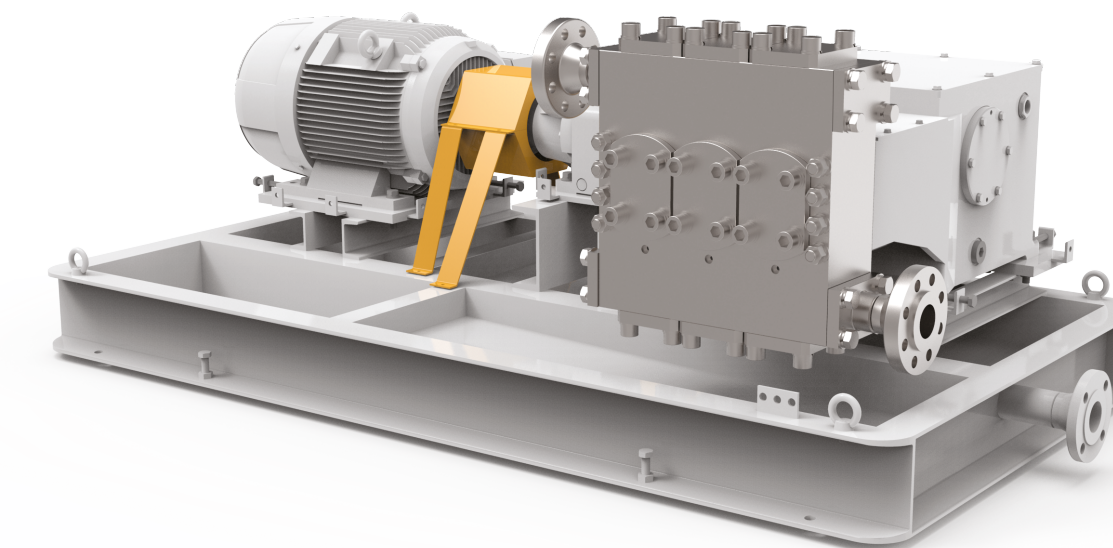
Technical Features

Pressure:	up to 350 barg for hydraulic diaphragm and 650 for plunger diaphragm
Flow rate:	up to 7,800 l/h with a single head
Fluid Temperature:	from -10°C to 90°C (from -40°C to 150°C on request)
Wetted parts:	SS 316L, PP, PVDF and PTFE (special configurations available on request)

3C Triplex Pumps Series

Process pumps for high-pressure duties

A flexible, robust and reliable solution to pumping high-temperature, abrasive and viscous liquids in a multitude of industrial applications, the 3C Triplex pump series offers the best total cost of ownership available on the market.



3C Triplex pumps are designed in accordance with API 674 standards and can be customized to achieve special operating requirements, allowing the customer to build the ideal system for the unique demands of their application.

Mechanism

The unique design of the 3C Triplex mechanism allows the pump to operate at a very low speed without forced lubrication, making it ideal for applications requiring a slow plunger motion to avoid cavitation when pumping hot or viscous liquids or fluids with low vapour pressure. The range features:

- Silent and vibration-free operation due to proper mass balancing and sizing. The integral crankshaft and crossheads are supported at both ends, giving precise alignment of the plunger rods for a longer sealing life
- A compact and robust assembly, providing high performance within a minimal footprint
- Low-speed operation, resulting in reduced wear of moving parts and high reliability
- Adjustable capacity, using a frequency converter to vary motor speed

Technical Features

Capacity range:	up to 65000 l/h, up to 1150 bar
Wetted parts:	SS 316 L, LTCS, Super Duplex, different material (on request)
Flow rate adjustment:	by frequency converter
Compliance:	with international standard approvals as API 674, ASME, TR CU 012/2011