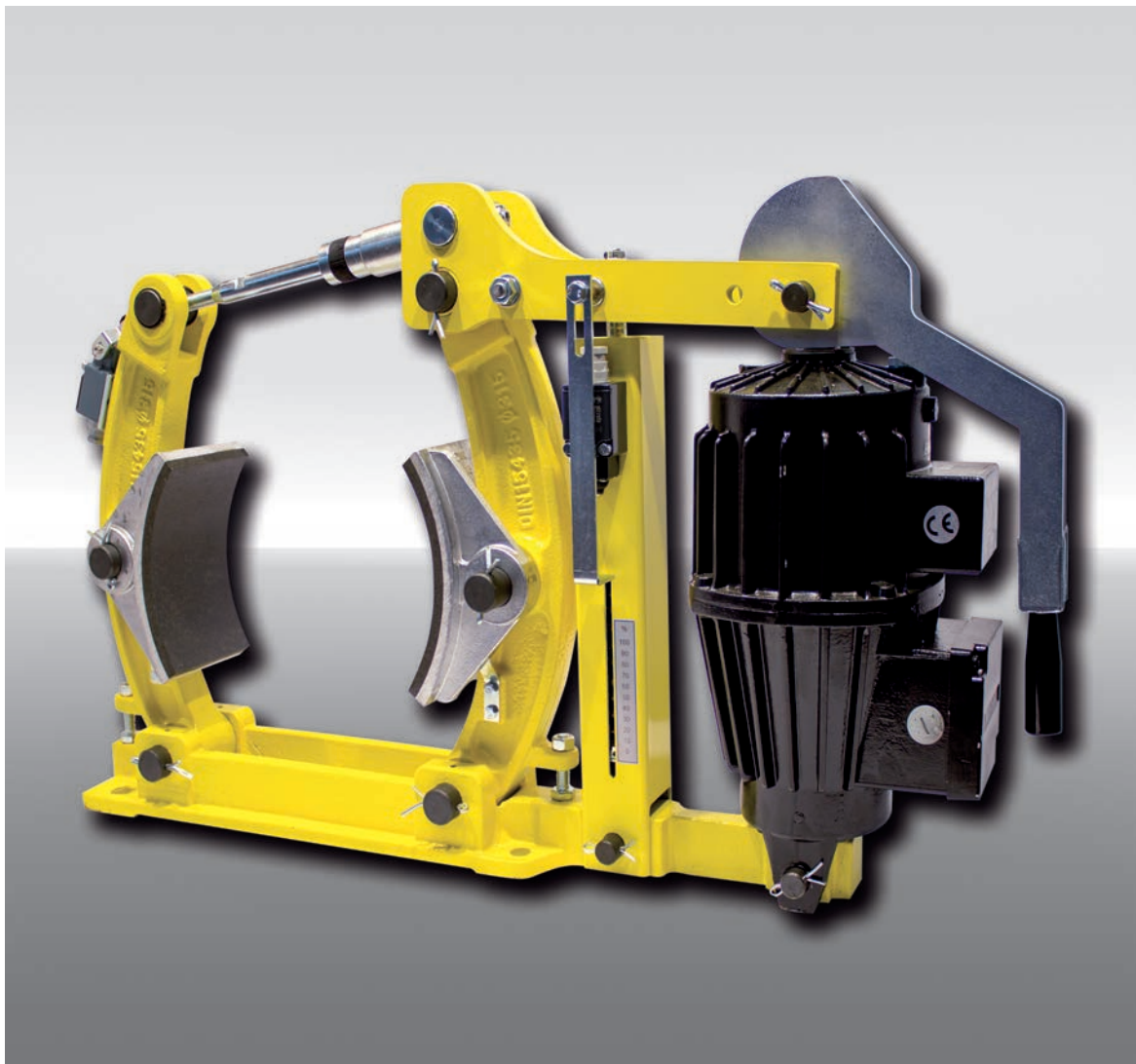


Overview Brake Calipers

Drum Brakes according to DIN 15 435



Issue 08/2020 · Technical details subject to change without notice.

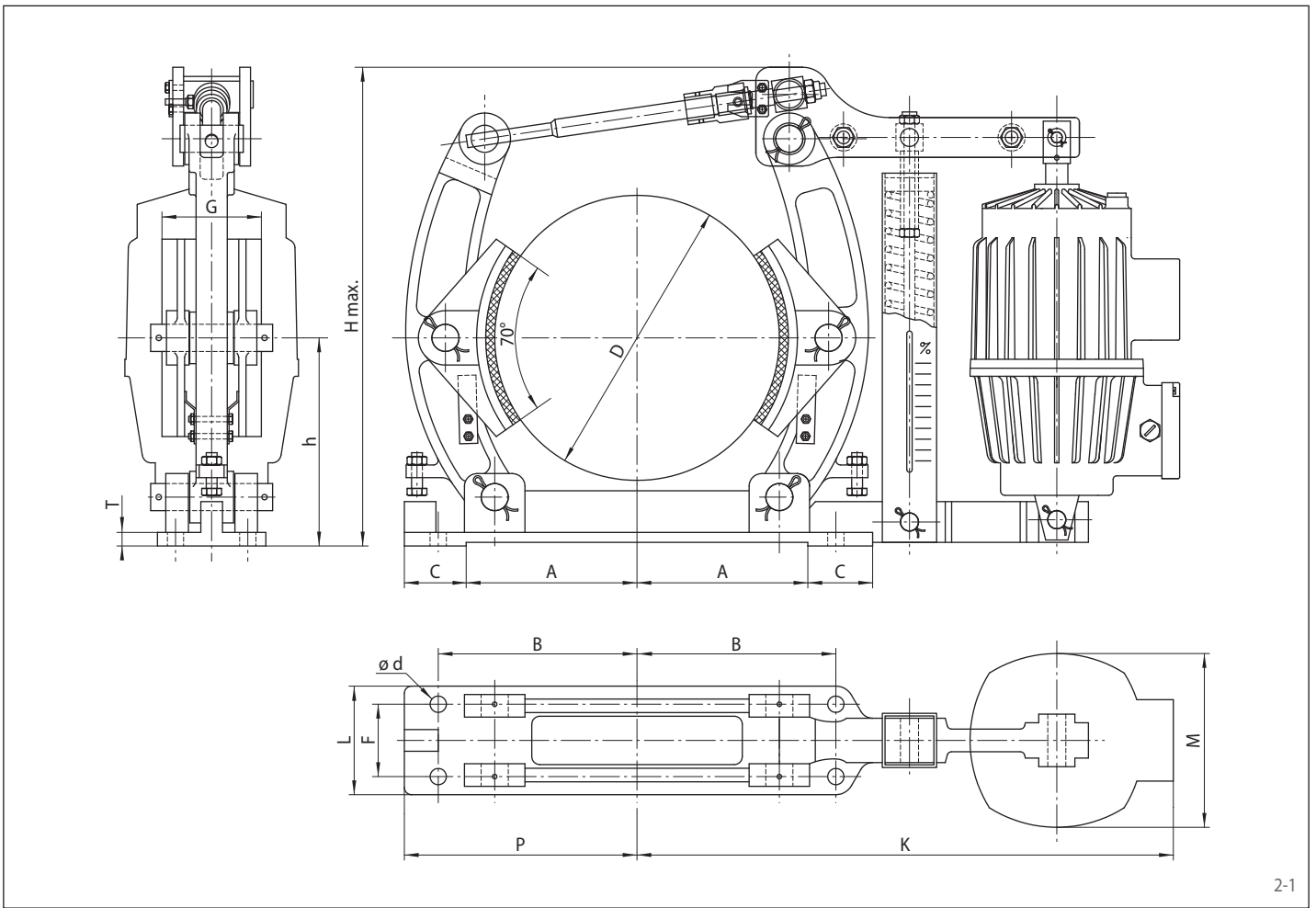
E09.065e



Brake Caliper DT ... NC

Drum Brake according to DIN 15 435

Material: cast



2-1

Brake Caliper	Braking torque Nm	Dimensions														Weight with thrustor kg	Weight without thrustor kg
		D	A	B	C	d	F	G	h	H max.	K	L	M	P	T		
DT 200 FEM/FEA 451 NC	230	200	115	145	55	14	55	70	160	430	422	90	142	170	12	26	18
DT 200 FEM/FEA 452 NC	310	200	115	145	55	14	55	70	160	470	450	90	168	170	12	31	18
DT 250 FEM/FEA 451 NC	260	200	144	180	63	18	65	90	190	485	476	100	142	207	14	39	31
DT 250 FEM/FEA 452 NC	350	250	144	180	63	18	65	90	190	485	501	100	168	207	14	44	31
DT 250 FEM/FEA 453 NC	700	250	144	180	63	18	65	90	190	500	510	100	192	207	14	46	31
DT 315 FEM/FEA 451 NC	285	315	189	220	68,5	18	80	110	230	532	536	120	142	257,5	15	49	41
DT 315 FEM/FEA 452 NC	425	315	189	220	68,5	18	80	110	230	532	593	120	168	257,5	15	54	41
DT 315 FEM/FEA 453 NC	850	315	189	220	68,5	18	80	110	230	532	601	120	192	257,5	15	56	41
DT 315 FEM/FEA 454 NC	1070	315	189	220	68,5	18	80	110	230	532	601	120	192	257,5	15	56	41
DT 315 FEM/FEA 455 NC	1700	315	189	220	68,5	18	80	110	230	565	618	120	234	257,5	15	62	41
DT 400 FEM/FEA 452 NC	525	400	240	270	74	22	100	140	280	668	687	150	168	314	17	80	67
DT 400 FEM/FEA 453 NC	1040	400	240	270	74	22	100	140	280	668	695	150	192	314	17	82	67
DT 400 FEM/FEA 454 NC	1300	400	240	270	74	22	100	140	280	668	695	150	192	314	17	82	67
DT 400 FEM/FEA 455 NC	2075	400	240	270	74	22	100	140	280	668	715	150	234	314	17	88	67
DT 500 FEM/FEA 455 NC	2500	500	295	325	85	22	130	180	340	760	812	170	234	380	20	130	109
DT 500 FEM/FEA 456 NC	4170	500	295	325	85	22	130	180	340	785	823	170	274	380	20	156	109

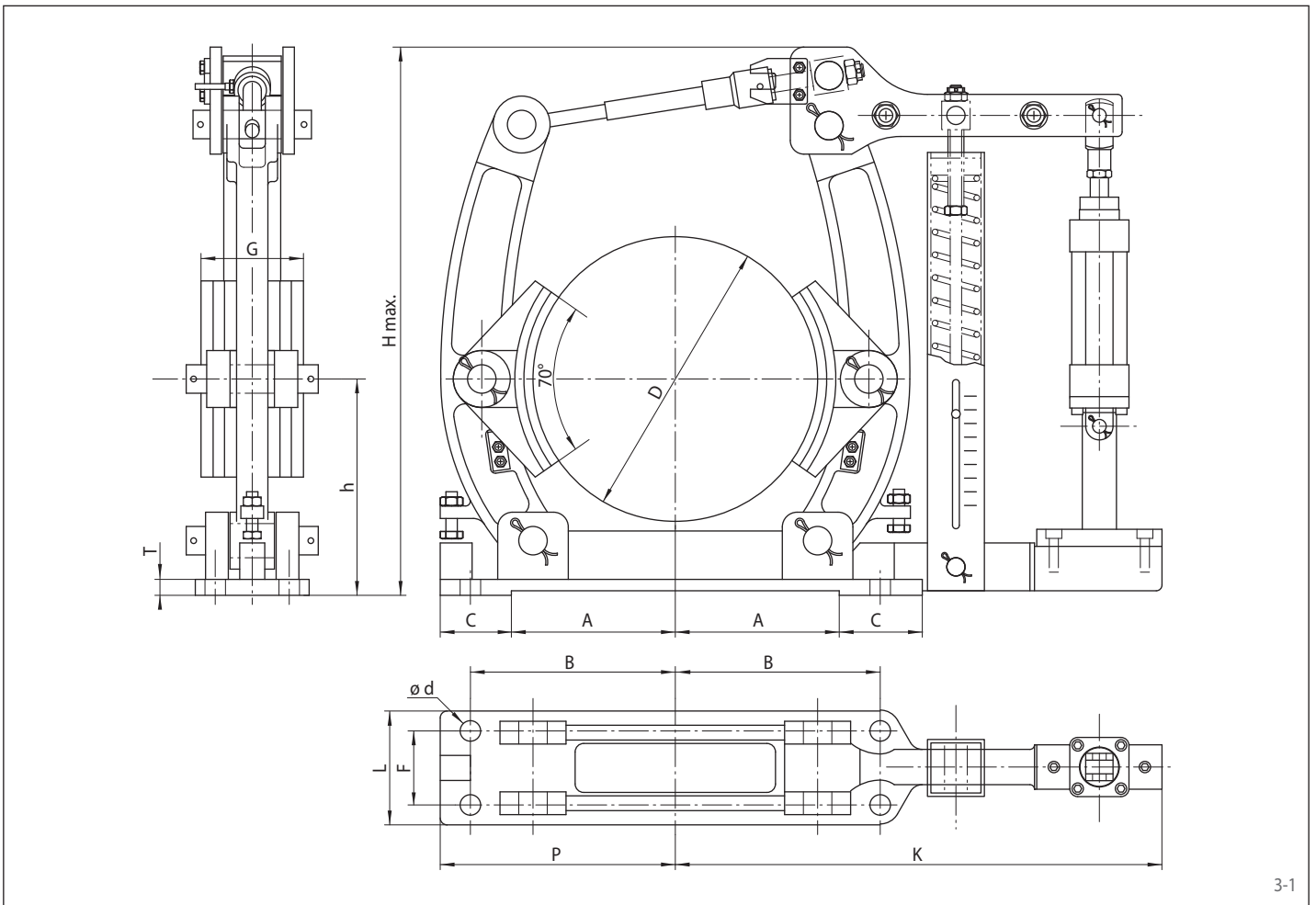
Technical information

- Lever and basement made in cast iron, pins made in steel zinc coated. Other configurations available on request.
- Thrustors are designed for continuous operation and for interval operation with up to 2000 operations/hour at ambient temperatures ranging from -20 °C to +45 °C.
- Standard voltage and frequency 230/400V, 50Hz. Special voltage and frequency available on request.

Brake Caliper DT ... NC

Drum Brake according to DIN 15 435

with option PN: pneumatic cylinder; Material: cast



Brake Caliper	Type of pneumatic cylinder	Braking torque Nm	Dimensions													Weight kg
			D	A	B	C	d	F	G	h	H max.	K	L	P	T	
DT 200 FEM/FEA	CD 32	310	200	115	145	55	14	55	70	160	430	367	90	170	12	20
DT 250 FEM/FEA	CD 40	700	250	144	180	63	18	65	90	190	485	427.5	100	207	14	34
DT 315 FEM/FEA	CD 50	1050	315	189	220	68,5	18	80	110	230	532	500	120	257,5	15	45
DT 400 FEM/FEA	CD 50	1700	400	240	270	74	22	100	140	280	668	604	150	314	17	71
DT 400 FEM/FEA	CD 63	2500	400	240	270	74	22	100	140	280	668	604	150	314	17	73
DT 500 FEM/FEA	CD 63	3250	500	295	325	85	22	130	180	340	760	724	170	380	20	115
DT 500 FEM/FEA	CD 80	4170	500	295	325	85	22	130	180	340	760	724	170	380	20	120

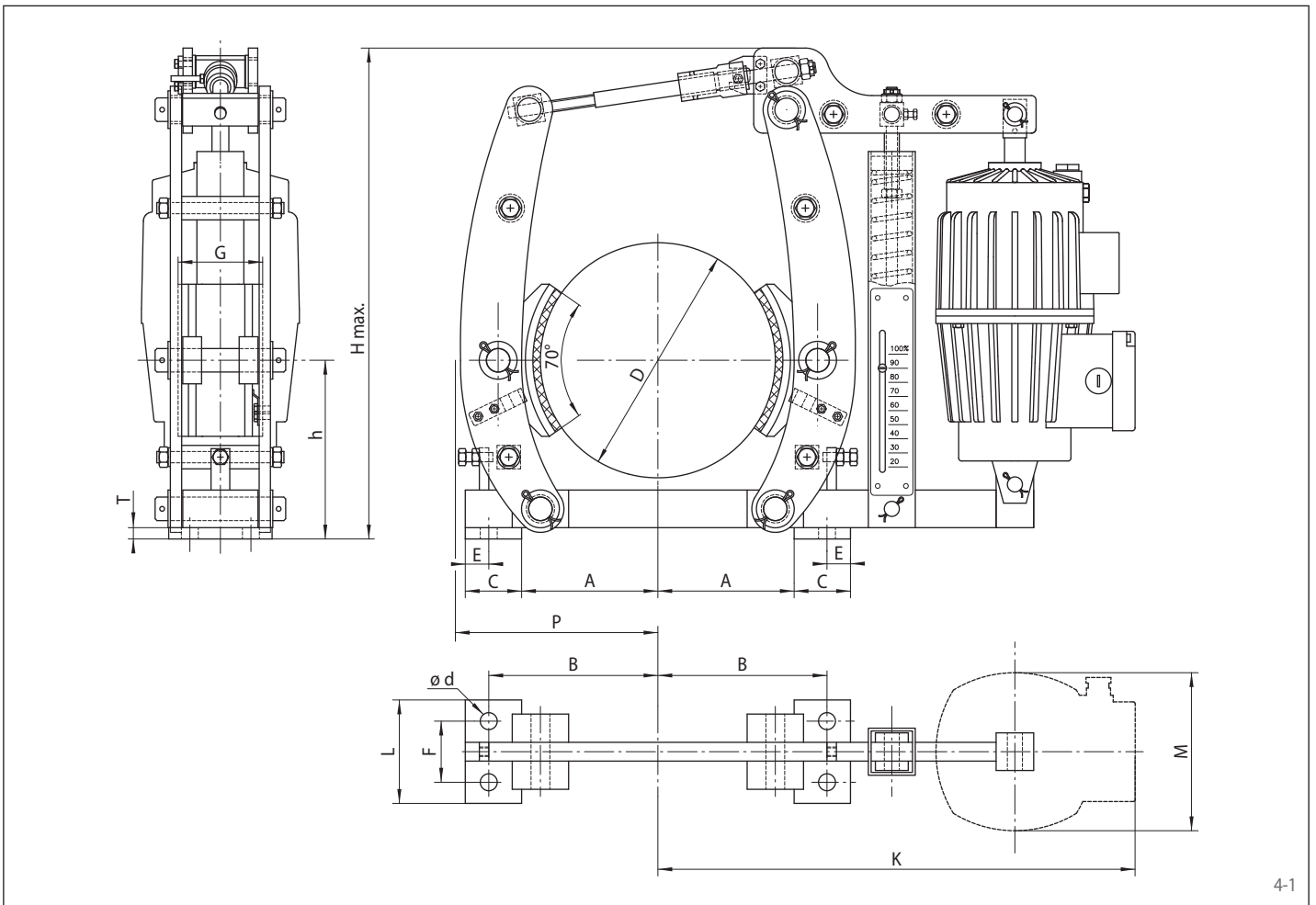
Technical information

- Lever and basement made in cast iron, pins made in steel zinc coated. Other configurations available on request.
- Air pressure: min. 5 bar - max. 10 bar

Brake Caliper DT ... ST

Drum Brake according to DIN 15 435

Material: steel



4-1

Brake Caliper	Braking torque Nm	Dimensions															Weight with thrustor kg	Weight without thrustor kg
		D	A	B	C	d	E	F	G	h	H max.	K	L	M	P	T		
DT 200 FEM/FEA 451 ST	250	200	115	145	50	14	20	55	70	160	405	417	92	142	170	10	32	24
DT 200 FEM/FEA 452 ST	330	200	115	145	50	14	20	55	70	160	492	453	92	168	170	10	37	24
DT 250 FEM/FEA 451 ST	300	250	145	180	60	18	25	65	90	190	525	483	110	142	212	12	40	32
DT 250 FEM/FEA 452 ST	400	250	145	180	60	18	25	65	90	190	525	508	110	168	212	12	45	32
DT 250 FEM/FEA 453 ST	750	250	145	180	60	18	25	65	90	190	525	516	110	192	212	12	47	32
DT 315 FEM/FEA 451 ST	350	315	180	220	70	18	30	80	110	230	586	553	120	142	263	12	56	48
DT 315 FEM/FEA 452 ST	480	315	180	220	70	18	30	80	110	230	586	578	120	168	263	12	61	48
DT 315 FEM/FEA 453 ST	950	315	180	220	70	18	30	80	110	230	586	586	120	192	263	12	63	48
DT 315 FEM/FEA 455 ST	1800	315	180	220	70	18	30	80	110	230	586	605	120	234	263	12	69	48
DT 400 FEM/FEA 452 ST	680	400	230	270	70	22	30	100	140	280	702	665	150	168	314	15	98	85
DT 400 FEM/FEA 453 ST	1300	400	230	270	70	22	30	100	140	280	702	673	150	192	314	15	100	85
DT 400 FEM/FEA 455 ST	2500	400	230	270	70	22	30	100	140	280	702	692	150	234	314	15	106	85
DT 500 FEM/FEA 453 ST	1600	500	285	325	80	22	40	130	180	340	833	803	180	192	395	15	165	150
DT 500 FEM/FEA 455 ST	3100	500	285	325	80	22	40	130	180	340	833	822	180	234	395	15	171	150
DT 500 FEM/FEA 456 ST	5120	500	285	325	80	22	40	130	180	340	833	833	180	274	395	15	197	150
DT 630 FEM/FEA 455 ST	3100	630	345	400	100	27	45	170	225	420	1010	898	250	234	468	20	231	210
DT 630 FEM/FEA 456 ST	5000	630	345	400	100	27	45	170	225	420	1010	909	250	274	468	20	257	210
DT 630 FEM/FEA 457 ST	7200	630	345	400	100	27	45	170	225	420	1010	909	250	274	468	20	257	210

Technical information

- Lever and basement made in steel, pins made in stainless steel. Other configurations available on request.
- Thrustors are designed for continuous operation and for interval operation with up to 2000 operations/hour at ambient temperatures ranging from -20 °C to +45 °C.
- Standard voltage and frequency 230/400V, 50Hz. Special voltage and frequency available on request.

Germany**RINGSPANN GmbH**

Schaberweg 30 - 38, 61348 Bad Homburg, Germany
+49 6172 2750
info@ringspann.de • www.ringspann.de

RINGSPANN RCS GmbH

Hans-Mess-Straße 7, 61440 Oberursel, Germany
+49 6172 67 68 50
info@ringspann-rcs.de • www.ringspann-rcs.de

France**SIAM - RINGSPANN S.A.**

23 rue Saint-Simon, 69009 Lyon, France
+33 4 78 83 59 01
info@siam-ringspann.fr • www.ringspann.fr

Great Britain, Ireland**RINGSPANN (U.K.) LTD.**

3, Napier Road, Bedford MK41 0QS, Great Britain
+44 1234 34 25 11
info@ringspann.co.uk • www.ringspann.co.uk

Italy**RINGSPANN Italia S.r.l.**

Via A.D. Sacharov, 13, 20812 Limbiate (MB), Italy
+39 02 93 57 12 97
info@ringspann.it • www.ringspann.it

Netherlands, Belgium, Luxembourg**RINGSPANN Benelux B.V.**

Nieuwenkampsmaten 6-15, 7472 DE Goor,
Netherlands • +31 547 26 13 55
info@ringspann.nl • www.ringspann.nl

Austria, Hungary, Slovenia**RINGSPANN Austria GmbH**

Triesterstraße 21, 2620 Neunkirchen, Austria
+43 2635 62446
info@ringspann.at • www.ringspann.at

Poland

Radius-Radpol Wiecheć Sp.J.

ul. Kolejowa 16 b, 60-185 Skórzewo, Poland
+48 61 814 39 28 • info@radius-radpol.com.pl
www.radius-radpol.com.pl

Romania, Bulgaria, Moldova

S.C. Industrial Seals and Rolls S.R.L.

Str. Depozitelor, No. 29, 110078 Pitesti, Romania
+4 0751 22 82 28
mihai@isar.com.ro • www.isar.com.ro

Russia, Belarus, Kazakhstan

RINGSPANN Office

Pod'jermnaja Street 12, Building 1, Floor 4,
Office 426, 109052 Moscow, Russia
+7 495 911 86 48
Denis.Kalashnikov@ringspann.com
www.ringspann.com.ru

Sweden, Finland, Denmark,**Norway, Baltic states****RINGSPANN Nordic AB**

Industrigatan 7, 61933 Trosa, Sweden
+46 156 190 98
info@ringspann.se • www.ringspann.se

Switzerland**RINGSPANN AG**

Sumpfstrasse 7, P.O. Box 3320, 6303 Zug,
Switzerland • +41 41 748 09 00
info@ringspann.ch • www.ringspann.ch

Spain, Portugal**RINGSPANN IBERICA S.A.**

C/Uzbina, 24-Nave E1, 01015 Vitoria, Spain
+34 945 22 77 50
info@ringspann.es • www.ringspann.es

Czech Republic, Slovakia

Ing. Petr Schejbal

Mezivří 1444/27, 14700 Prag, Czech Republic
+420 222 96 90 22
Petr.Schejbal@ringspann.cz • www.ringspann.com

Ukraine

"START-UP" LLC.

Saltivske Hwy, 43, letter G-3, office 101,
Kharkiv 61038, Ukraine • +38 057 717 03 04
start-up@start-up.kh.ua • www.start-up.kh.ua

Asia

Australia, New Zealand**RINGSPANN Australia Pty Ltd**

Unit 5, 13A Elite Way, Carrum Downs Vic 3201,
Australia • +61 3 9069 0566
info@ringspann.com.au • www.ringspann.com.au

China, Taiwan**RINGSPANN Power Transmission (Tianjin) Co., Ltd.**

No. 21 Gaoyan Rd., Binhai Science and Technology
Park, Binhai Hi-Tech Industrial, Development Area,
Tianjin, 300458, P.R. China • +86 22 5980 31 60
info.cn@ringspann.cn • www.ringspann.cn

India, Bangladesh, Nepal**RINGSPANN Power Transmission India Pvt. Ltd.**

GAT No: 679/2/1, Village Kuruli, Taluka Khed, Chakan-
Alandi Road, Pune - 410501, Maharashtra, India
+91 21 35 67 75 00 • info@ringspann-india.com
www.ringspann-india.com

Singapore, ASEAN**RINGSPANN Singapore Pte. Ltd.**

143 Cecil Street, #17-03 GB Building,
Singapore 069542 • +65 9633 6692
info@ringspann.sg • www.ringspann.sg

South Korea**RINGSPANN Korea Ltd.**

Chungnam Cheonan-si Dongnam-gu
Mokcheon-eup Samsung 1 Ghil 15-12,
31226, South Korea • + 82 10 54961 368
info@ringspann.kr • www.ringspann.kr

America

Brazil

Antares Acoplamentos Ltda.

Rua Evaristo de Antoni, 1222, Caxias do Sul, RS,
CEP 95041-000, Brazil • +55 54 32 18 68 00
vendas@antaresacoplamentos.com.br
www.antaresacoplamentos.com.br

USA, Canada, Mexico, Chile, Peru**RINGSPANN Corporation**

10550 Anderson Place, Franklin Park, IL 60131, USA
+1 847 678 35 81
info@ringspanncorp.com • www.ringspanncorp.com

Africa and Middle East

Egypt

Shofree Trading Co.

218 Emtedad Ramsis 2, 2775 Nasr City, Cairo, Egypt
+20 2 20 81 20 57
info@shofree.com • www.ringspann.com

Israel

G.G. Yarom Rolling and Conveying Ltd.

6, Hamaktesh Str., 58810 Holon, Israel
+972 3 557 01 15
noam_a@gg.co.il • www.ringspann.com

South Africa, Sub-Saharan**RINGSPANN South Africa (Pty) Ltd.**

96 Plane Road Spartan, Kempton Park,
P.O. Box 8111 Edenglen 1613, South Africa
+27 11 394 18 30
info@ringspann.co.za • www.ringspann.co.za

Iran

Persia Robot Machine Co. Ltd.

4th Floor, No 71, Mansour St, Motahari Avenue,
Tehran 15957, Iran • +98 21 88 70 91 58-62
info@persiarobot.com • www.ringspann.com

Maghreb, West Africa**SIAM - RINGSPANN S.A.**

23 rue Saint-Simon, 69009 Lyon, France
+33 4 78 83 59 01
info@siam-ringspann.fr • www.ringspann.fr