

WSV[®]

SPECIAL ALLOY VALVES



WEIDOLI VALVES CO., LTD.



Add: No. 20, Xingyu Road, Airport Industrial Zone,
Wenzhou City, P.R. China

Tel: 0086-577-86921659
Fax: 0086-577-86926789

Website: www.wsv-valve.com(EN)
www.weidouli.com(CN)
Email: sale@weidouli.com



WSV2018H-01

CHECK VALVES

WEIDOLI VALVES CO., LTD.



WEIDOU LI

The name trust for Special Alloy Valves

Brief Introduction

The history of Weidouli dates back to 1989, the initial company named Lixin established in that year with prospective view to begin with exotic material valves manufacturing. With an increase of its production capacity and satisfaction of domestic and oversea clients' requirements, Weidouli furnished with a new modern factory filled with advance and large CNC machine facilities, fabrication, inspection and test facilities, total factory occupied area to be 43500m².

Advanced manufacturing processes enable us to produce a wide range of valves from bars and forgings, castings. Valves can be designed, manufactured, assembled and tested in accordance with ANSI/API/ASME norms, DIN/ ISO/BS specifications, NORSOK requirements, JIS standards and tailor-made with sizes varying form 2" up to 100". Moreover, sizeable stock allows Weidouli to offer a broad selection of exotic materials, which diversify with Titanium, Nickel alloy, Zirconium, Super Duplex, Alloy 20 etc, whilst keeping production time to a minimum.

Weidouli has worked diligently in past decades to secure our advantageous industry position and become a highly respected and valuable enterprise to the area of anti-corrosive valves application and come to being a culture: Cooperate Sincerely, Create Win-win.

Weidouli will continue to play a good role and make its unceasing efforts in the valve markets with our goals in mind: Global Quality, Total Reliability.

CEO, Chengrui Xia



Global Quality.Total Reliability.

Weidouli have ISO 9001/API 6D/ISO 14001/OHSAS 18001/API 607/API 6FA/CE/EAC/ATEX/ISO15848-1 TS etc. qualifications to guarantee the realizable quality. Weidouli system includes the selection of raw material from approved vendors, and rigorous oversight of our manufacturing process that is vital to quality control. Our extensive quality control system carefully monitors our manufacturing processes to assure a product that performs to the highest industry standards. Quality assurance procedures include 100% hydrostatic and pneumatic testing of all valves in full conformance to applicable API standards and industry codes.

Weidouli Specialty -----P04
 Products Overview-----P09

Swing Check Valves
 General Highlights----- P10
 Flange Type H44 -----P11

Pressure Seal check valves
 General Highlights-----P12
 Flange Type H44 -----P13

Dual Plate Check Valves
 General Highlights----- P14
 Wafer type H76-----P15
 Flange Type H46-----P16
 Lug Type H06-----P17

Nozzle Check Valves
 General Highlights----- P18
 Flange Type GLH41-----P19

Other Check Valves
 General Highlights----- P20

How To Order----- P21
 Valve Markings----- P22
 Material List-----P23
 Product Field-----P24
 Performance-----P25

WEIDOU LI SPECIALITY





Customer Relationship Management (CRM) & Production MES System

All daily business actions are controlled via CRM system to ensure transaction traceability and durability. The use of series number allows Weidouli the ability to not only ensure the quality of components used but to monitor and trace the fabrication process as well.

CNC Machine

Weidouli valves manufacturing plant comprises a well and equipped huge CNC machine shop with full design fabrication, inspection and test facilities.

Dynamic Inventory

By strategically prolonged cooperation with our sub suppliers, Weidouli is advantageous in price and flexible in delivery with a large scale of stocks for casting, semi-finished parts and finished valves to meet with your urgent need.

Extensive in-house testing and laboratory facilities are available including



- ❑ Tensile/Bend/Hardness Test/Impact Test
- ❑ Dye Penetrant
- ❑ Positive Material Identification
- ❑ Direct Alloy Analysis
- ❑ Ultrasonic thickness test
- ❑ Metallographic examination
- ❑ Chemical Analysis



Coordinate Measuring Machine(CMM):

CMM is a device that measures the geometry of physical objects by sensing discrete points on the surface of the object with a probe. Weidouli qualified products are well machined and controlled typically with micrometer precision.

Extensive in-house testing and laboratory facilities are available including:

Cleaning room

Weidouli establishes a Class 100000 Cleanroom facility for cleaning, assembly, testing and packing of Weidouli valves to be used in high purity applications. By performing these procedures in a cleanroom, Weidouli delivers valves which can be placed directly into high purity systems without the need for any component cleaning in the field, such as semiconductor, chemical, pharmaceutical and other industries which have standards for high purity,



Dechlorination Equipment

To avoid the iron or other metal pollution on finished valves and free of corrosion, all the testing water and cleaning water are treated and stored through a dechlorination equipment owned by Weidouli.



Special Treatment Laboratory

Vacuum hardness treatment especially for Titanium and Zirconium Treatment: Titanium stem/seat/sphere surface hardening treatment, so that a protective film formed on the surface, to improve the corrosion resistance, but also greatly relief stress and improve the surface hardness, not easy to scratch. Titanium surface with primary hardness HV_s 235 can approach to HV800 after this treatment.



WEIDOU LI CHECK VALVES OVERVIEW

Weidouli Check Valves

Weidouli manufactures a comprehensive range of check valves in sizes up to 60" (1500mm) in ASME class from 150LB to 2500LB. The valves are offered in a variety of body styles, materials and trims options to address severe services in Petrochemical, Offshore Oil & Gas, Mining Operation, Water Treatment and FPSO etc.

Weidouli Check Valves meet the requirements of API 6D and can be offered with API 6D monogram. The valves are certified with EAC, ATEX, and meet the requirements of ISO 15848-1 (Fugitive Emission). All critical machining operations are carried out on machining centers and CNC machines.

Products Overview

Swing Check Valve

Size: 1-1/2" to 32"

Rating: 150LB to 2500LB

Design: BS1868, BS5352, ASME B16.34
API 602
Face to face: ASME B16.10
Flange end: ASME B16.5, ASME B16.47
Test and Inspection: API 598, API 6D



Duo Check Valve

Size: 2" to 60"

Rating: 150LB to 2500LB

Design: API 594, ASME B16.34
Face to face: API 594
Flange end: ASME B16.5
Test and Inspection: API 598



Nozzle Check Valve

Size: 2" to 12"

Rating: 150LB to 1500LB

Design: ASME B16.34
Face to face: MFR STD
Flange end: ASME B16.5
Test and Inspection: API 598



Notes: Other unspecified standards and sizes are upon request

SWING CHECK VALVES GENERAL HIGHLIGHTS

Weidouli Swing Check Valves are with full port design, with high quality cast and afterwards precisely machined, directing the attention to prevent stress concentration. Technical highlights mentioned as below are the general characteristics of Weidouli Swing Check Valves, other unspecific features are upon request.

Other available options as follows:

- NACE service
- Special Cleaning for Oxygen Service
- Fugitive Emission design



Technical Features

1. Eyebolt hook design upon size $\geq 4"$, easy for on-site installation.
2. Fully capped spiral wound gasket inserted in valve groove as per figure 1.
3. Keep tight, long last and reliable sealing performance.
4. The design of the body/cover gasket varies depending on the class of the valve. Class 150 to 600 check valves consist of a bolted connection with a graphite or spiral wound gasket. Class 900 and above check valves consist of a ring type joint. In pressure seal designs the sealing is achieved through a gasket that takes advantage of the internal pressure of the line. The material most commonly used is high purity graphite being located between the body and the body retainer ring.
5. Bolted bonnet connection for easy access to internals.
6. Retainerless design for pin and disc connection as per figure 2, ensure the sealing performance.
7. Integral Metal Seat applicable for high temp application, and easy for disc maintenance.
8. Body waist drum structure with good streamline and large CV values and strong circulation.

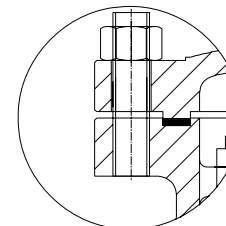


Figure 1

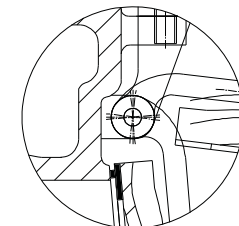
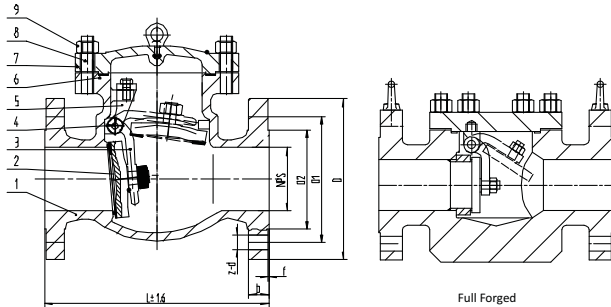


Figure 2

Notes:
This design sketch is for typical and basic Weidouli Swing Check Valve.
The actual design of a valve differs to this and depend on detail size and pressure rating.

SWING CHECK VALVES FLANGE TYPE H44



Code	Parts
1	Body
2	Disc
3	Arm
4	Pin
5	Locating plate
6	Gasket
7	Bonnet
8	Stud
9	Nut

Dimensions (mm)

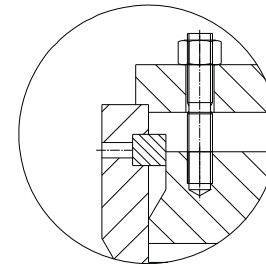
Size (Inch)	150LB							300LB						
	L mm	D mm	D1 mm	D2 mm	b mm	f mm	z-d mm	L mm	D mm	D1 mm	D2 mm	b mm	f mm	z-d mm
1-1/2"	165	127	98.5	73	15	1.6	4-15	241	156	114.5	73	21	1.6	4-22
2"	203	152	120.5	92	16	1.6	4-19	267	165	127	92	22	1.6	8-19
2-1/2"	216	178	139.5	105	18	1.6	4-19	292	190	149	105	25	1.6	8-22
3"	241	190	152.5	127	19	1.6	4-19	318	210	168	127	29	1.6	8-22
4"	292	229	190.5	157	24	1.6	8-19	356	255	200	157	32	1.6	8-22
5"	330	254	216	186	24	1.6	8-22	400	279	235	186	35	1.6	8-22
6"	356	279	241.5	216	26	1.6	8-22	444	318	270	216	37	1.6	12-22
8"	495	343	298.5	270	29	1.6	8-22	533	381	330	270	41	1.6	12-25
10"	622	406	362	324	31	1.6	12-25	622	444	387.5	324	48	1.6	16-29
12"	698	483	432	381	32	1.6	12-25	711	521	451	381	51	1.6	16-32
14"	787	533	476	413	35	1.6	12-29	838	584	514.5	413	54	1.6	20-32
16"	864	597	540	470	37	1.6	16-29	864	648	571.5	470	57	1.6	20-35
18"	978	635	578	533	40	1.6	16-32	978	711	628.5	533	60	1.6	24-35
20"	978	698	635	584	43	1.6	20-32	1016	775	686	584	64	1.6	24-35
24"	1295	813	749.5	692	48	1.6	20-35	1346	914	813	692	70	1.6	24-41

Notes: Weidouli reserves the right to change any technical design and dimensional data without prior notice. Please contact Weidouli to confirm all dimensions and data offered in this catalogue.

PRESSURE SEAL CHECK VALVES GENERAL HIGHLIGHTS

Weidouli Pressure Seal Check Valves are ideal for high pressure steam, liquid, catalytic reformers, hydrocrackers and other tough services in the tough world of High pressure, High temperature valve applications. The basic concept of pressure seal valves is that the initial cover pull up bolts tighten the cover which inturn seals the pressure seal gasket to the body. Then the system pressure assist for more force to seal the gasket. Hence, as system pressure increases, the potential for leakage through the body/bonnet joint decreases.

- Other available options as follows:
- NACE service
 - Special Cleaning for Oxygen Service
 - Fugitive emission design

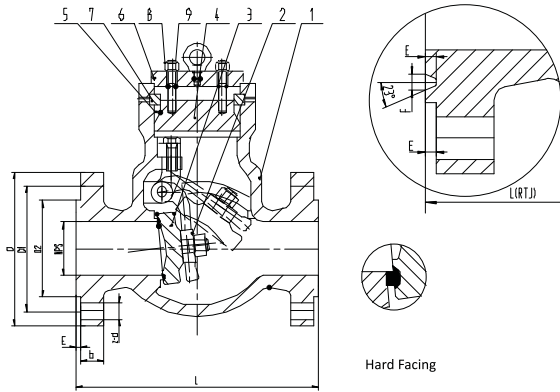


Technical Features

1. Cast body precisely machined with integral flanges.
2. Forged bonnet.
3. Precisely machined swivel disc as standard which provides superior tightness.
4. No penetration of hinge pin to outside eliminating possibility of pin seal leakage and allowing for in-line service.
5. Easy in-line service. All parts are easily accessible for maintenance. Seating faces can be re-lapped.
6. Hinge is pivoted to the hinge pin inside the body.
7. Disc nut secures the disc to the hinge. It allows the disc to rotate about its axis and assist in tight shut off.
8. Longer Seat rings are designed for higher temperature and higher pressure.
9. Compact cage unit: all moving parts are attached to the carrier and can be removed easily for service.
10. Weidouli offers graphite pressure seal gaskets as standard, instead of soft iron gaskets, providing a more flexible seal for applications with fluctuation conditions.

Notes:
This design sketch is for typical and basic Weidouli Swing Check Valve.
The actual design of a valve differs to this and depend on detail size and pressure rating.

PRESSURE SEAL CHECK VALVES FLANGE TYPE H44



Code	Parts
1	Body
2	Arm
3	Disc
4	Packing Box
5	Pressure seal gasket
6	Bonnet
7	Pendant collet
8	Nut
9	Stud

✧ Dimensions (mm)

900LB													
Size (Inch)	L mm		D mm	D1 mm	D2 mm			D3	b mm	E mm		z-d mm	F
	RF	RTJ			RF	RTJ	RTJ			RF	RTJ		
2"	368	371	215	165	92.1	124	95.25	38.1	7	7.92	8-26	11.91	
2-1/2"	419	422	245	190.5	104.8	137	107.95	41.3	7	7.92	8-30	11.91	
3"	381	384	240	190.5	127	156	123.83	38.1	7	7.92	8-26	11.91	
4"	457	460	290	235	157.2	181	149.23	44.5	7	7.92	8-33	11.91	
6"	650	613	380	317.5	215.9	241	211.12	55.6	7	7.92	12-33	11.91	
8"	737	740	470	393.7	269.9	308	269.88	63.5	7	7.92	12-39	11.91	
10"	838	841	545	469.9	323.3	362	323.85	69.9	7	7.92	16-39	11.91	
12"	965	968	610	533.4	381	419	381	79.4	7	7.92	20-39	11.91	
14"	1029	1038	640	558.8	412.8	467	419.1	85.8	7	11.13	20-42	16.66	
16"	1130	1140	705	616	469.9	524	469.9	88.9	7	11.13	20-45	16.66	
18"	1219	1232	785	685.8	533.4	594	533.4	101.6	7	12.7	20-51	19.84	
20"	1321	1334	855	749.3	584.2	648	584.2	108	7	12.7	20-55	19.84	
24"	1549	1568	2040	901.7	692.2	772	695.15	139.7	7	15.88	20-68	26.97	

Notes: Weidouli reserves the right to change any technical design and dimensional data without prior notice. Please contact Weidouli to confirm all dimensions and data offered in this catalogue.

DUAL PLATE CHECK VALVES GENERAL HIGHLIGHTS

Weidouli Dual Plate Check Valve, with high quality cast and afterwards precisely machined, directing the attention to prevent stress concentration. Technical highlights mentioned as below are the general characteristics of Weidouli Dual Plate Check Valves, other unspecific features are upon request.

- Other available options as follows:
- NACE service
 - Special Cleaning for Oxygen Service
 - Retainerless design available



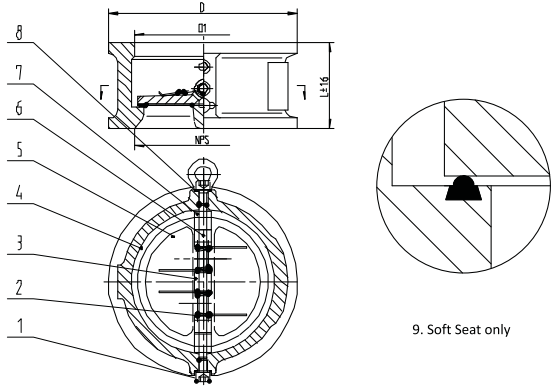
Technical Features

1. Stopper pins avoid the over travel of a disc.
2. Resilient or Metal Seats: resilient seats in EPDM, NBR or FKM ensure a bubble tight seal that meets or exceeds API 598 test requirements. Lapped metal seats meet or exceed API 598 test requirements.
3. Eyebolt hook design upon size $\geq 4"$, easy for on-site installation.
4. Spring loaded on discs assist valve closing to ensure tight seal and minimize slamming, to keep the valve performance reliable. $\leq 6"$, Uni Spring; $>6"$, double spring or more.
5. Cost Efficient Design: The low weight and short laying length save initial cost, requires less space, and is easier sealing to install when compared to full-body, swing-type check valves.
6. Quick Close to Reduce Water Hammer Shut-off is achieved via the fully automatic, spring assisted discs that close near zero flow velocity. The light weight, split disc design creates a positive shutoff prior to flow reversal and helps minimize valve slam and surge.

Notes: This design sketch is for typical and basic Weidouli Dual Plate Check Valve. The actual design of a valve differs to this and depend on detail size and pressure rating. Wafer End, Lug End, or Solid Lug End are with the similar design structure.

DUAL PLATE CHECK VALVES WAFER TYPE H76

Wafer Type Valves are designed with flangeless bodies with relatively short face-to-face dimensions. They are clamped between mating flanges which are connected by studs and nuts.



Code	Parts
1	Screw
2	Spring
3	Locating cover
4	Body
5	Disc
6	Pin
7	Locating piece
8	Gasket
9	Seat

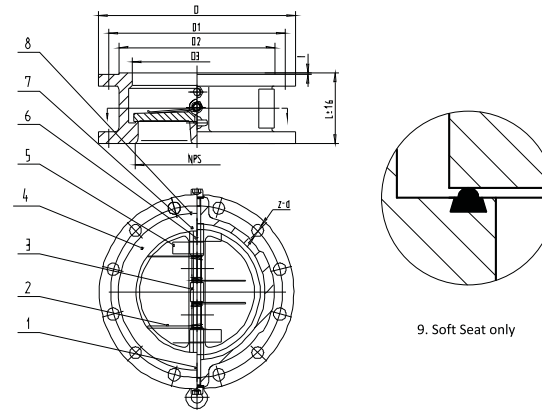
* Dimensions (mm)

Size (Inch)	150LB			300LB			600LB		
	L mm	D1 mm	D mm	L mm	D1 mm	D mm	L mm	D1 mm	D mm
2"	60	58	103	60	58	110	60	58	110
2-1/2"	67	74	122	67	74	128	67	74	128
3"	73	90	135	73	90	147	73	90	147
4"	73	110	173	73	110	179	79	110	191
5"	86	132	195	86	132	214	105	132	239
6"	98	156	220	98	156	249	136	156	264
8"	127	204	278	127	204	305	165	204	318
10"	146	266	337	146	266	359	213	266	398
12"	181	324	407	181	324	420	229	324	455
14"	184	355	448	222	355	484	273	355	490
16"	191	405	512	232	405	538	305	405	563
18"	203	455	547	264	455	594	362	455	612
20"	219	505	604	292	505	651	368	505	682
24"	222	605	715	318	605	770	438	605	785

Notes: Weidouli reserves the right to change any technical design and dimensional data without prior notice. Please contact Weidouli to confirm all dimensions and data offered in this catalogue.

DUAL PLATE CHECK VALVES FLANGE TYPE H46

Double Flanged Valves bolt up similar to a bolted cap swing check. Double flanged versions are offered as standard on larger size valves where the lay length of the body permits installation of two heavy nuts between the flanges.



Code	Parts
1	Screw
2	Spring
3	Locating cover
4	Body
5	Disc
6	Pin
7	Locating piece
8	Gasket
9	Seat

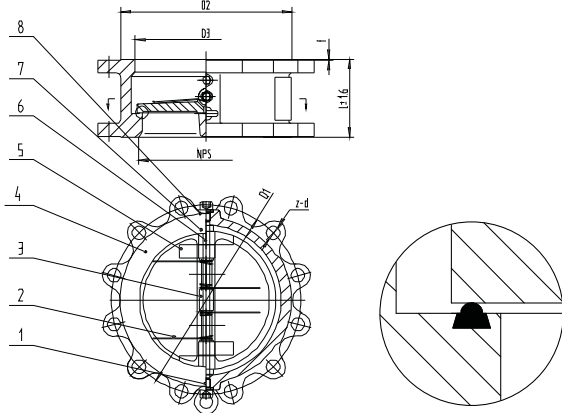
* Dimensions (mm)

Size (Inch)	150LB						
	L mm	D mm	D1 mm	D2 mm	D3 mm	z-d mm	f mm
2"	60	152	120.5	92	58	4-19	1.6
2-1/2"	67	178	139.5	105	74	4-19	1.6
3"	73	190	152.5	127	90	4-19	1.6
4"	73	229	190.5	157	110	8-19	1.6
6"	98	279	241.5	216	156	8-22	1.6
8"	127	343	298.5	270	204	8-22	1.6
10"	146	406	362	324	266	12-25	1.6
12"	181	483	432	381	324	12-25	1.6
14"	184	533	476	413	355	12-29	1.6
16"	191	597	540	470	405	16-29	1.6
18"	203	635	578	533	455	16-32	1.6
20"	219	698	635	584	505	20-32	1.6
24"	222	813	749.5	692	605	20-35	1.6

Notes: Weidouli reserves the right to change any technical design and dimensional data without prior notice. Please contact Weidouli to confirm all dimensions and data offered in this catalogue.

DUAL PLATE CHECK VALVES LUG TYPE H06

Lug Type Valves cover the bolting the entire length of the body, are furnished with thru-hole bolting in accordance with API 594, while threaded bolt holes are available when specified. This valve type shall be used for dead end service.



Code	Parts
1	Screw
2	Spring
3	Locating cover
4	Body
5	Disc
6	Pin
7	Locating piece
8	Gasket
9	Seat

* Dimensions (mm)

Size (Inch)	150LB						300LB					
	L mm	D1 mm	D2 mm	D3 mm	f mm	z-d mm	L mm	D1 mm	D2 mm	D3 mm	f mm	z-d mm
2"	60	120.5	92	58	1.6	4-19	60	127	92	58	1.6	8-19
2-1/2"	67	139.5	105	74	1.6	4-19	67	149	105	74	1.6	8-22
3"	73	152.5	127	90	1.6	4-19	73	168	127	90	1.6	8-22
4"	73	190.5	157	110	1.6	8-19	73	200	157	110	1.6	8-22
6"	98	241.5	216	156	1.6	8-22	98	270	216	156	1.6	12-22
8"	127	298.5	270	204	1.6	8-22	127	330	270	204	1.6	12-25
10"	146	362	324	266	1.6	12-25	146	387.5	324	266	1.6	16-29
12"	181	432	381	324	1.6	12-25	181	451	381	324	1.6	16-32
14"	184	476	413	355	1.6	12-29	222	514.5	413	355	1.6	20-32
16"	191	540	470	405	1.6	16-29	232	571.5	470	405	1.6	20-35
18"	203	578	533	455	1.6	16-32	264	628.5	533	455	1.6	24-35
20"	219	635	584	505	1.6	20-32	292	686	584	505	1.6	24-35
24"	222	749.5	692	605	1.6	20-35	318	813	692	605	1.6	24-41

Notes: Weidouli reserves the right to change any technical design and dimensional data without prior notice. Please contact Weidouli to confirm all dimensions and data offered in this catalogue.

NOZZLE CHECK VALVES GENERAL HIGHLIGHTS

One of the most significant elements of piping system design is integrating the means to protect mechanical equipment and prevent damage caused by backflow. Backflow prevention is routinely achieved through the use of swing check valves or dual plate check valves. Nozzle Check valves are specifically designed for fast-reversing systems where backflow is a constant concern in such critical service applications.

- Other available options as follows:
- NACE service
 - Special Cleaning for Oxygen Service

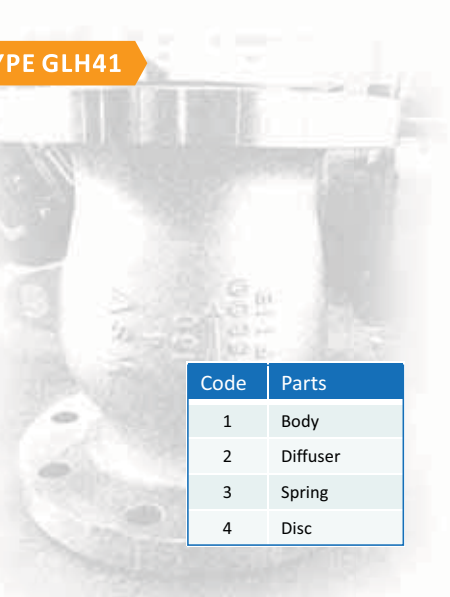
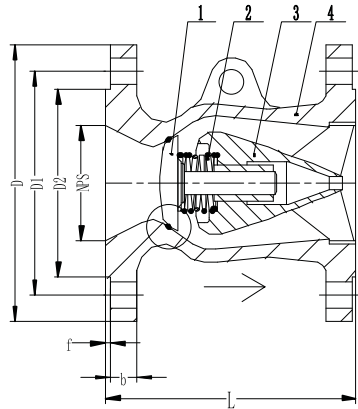


Technical Features

1. The Contoured body-disc diffuser arrangement assures venturi flow characteristics ensuring minimal pressure drop and streamlined flow.
2. Eyebolt hook design upon size ≥4", easy for on-site installation.
3. Spring return design, live-load.
4. Providing optimum pressure recovery performance and minimum pressure lost and fluid turbulence.
5. Integral metal seat applicable for high temp application.
6. Retainerless design for pin and disc connection.
7. Suitable for all installation positions.
8. Reduce bearing load with long-lasting usage of disc and diffuser.
9. Streamlined body design with low flow resistance.

Notes: This design sketch is for typical and basic Weidouli Nozzle Check Valve. The actual design of a valve differs to this and depend on detail size and pressure rating

NOZZLE CHECK VALVES FLANGE TYPE GLH41



Code	Parts
1	Body
2	Diffuser
3	Spring
4	Disc

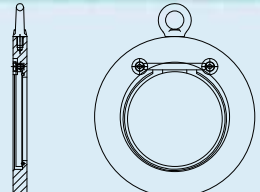
*** Dimensions (mm)**

Size (Inch)	150LB							300LB						
	L mm	D mm	D1 mm	D2 mm	b mm	f mm	z-d mm	L mm	D mm	D1 mm	D2 mm	b mm	f mm	z-d mm
2"	120	152	120.5	92	16	1.6	4-19	120	165	127	92	22	1.6	8-19
2-1/2"	120	178	139.5	105	18	1.6	4-19	150	190	149	105	25	1.6	8-22
3"	120	190	152.5	127	19	1.6	4-19	150	210	168	127	29	1.6	8-22
4"	140	229	190.5	157	24	1.6	8-19	170	254	200	157	32	1.6	8-22
6"	210	279	241.5	216	26	1.6	8-22	210	318	270	216	37	1.6	12-22
8"	280	343	298.5	270	29	1.6	8-22	280	381	330	270	41	1.6	12-25
10"	350	406	362	324	31	1.6	12-25	350	444	387.5	324	48	1.6	16-29
12"	430	483	432	381	32	1.6	12-25	430	451	451	381	51	1.6	16-32

Notes: Weidouli reserves the right to change any technical design and dimensional data without prior notice. Please contact Weidouli to confirm all dimensions and data offered in this catalogue.

OTHER CHECK VALVES GENERAL HIGHLIGHTS

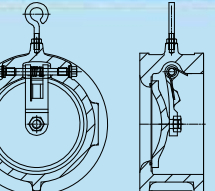
Weidouli can supply Swing Check Valve, Dual Check Valve, Nozzle Check Valve. Previous is the technical information only for above-mentioned valves, but not limited to below Single Plate Check Valve, Lift Check Valve etc. They are available in the sizes, pressure classes and configurations upon your specific requirements, which can meet the most demanding of applications as well. Other unpecific standards are upon request.



Single Plate Check (Short Pattern)

Type: H78F
Size: 2" to 20"
Rating: 150LB to 600LB

Design: ASME B16.34
Face to face: ASME B16.10
Flange end: ASME B16.5
Test and Inspection: API 598



Single Plate Check (Long Pattern)

Type: H74F
Size: 2" to 24"
Rating: 150LB to 600LB

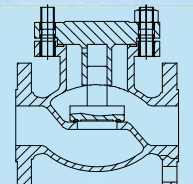
Design: API 594
Face to face: API 594
Flange end: ASME B16.5
Test and Inspection: API 598



Wafer Lift Type Check

Type: H71W
Size: 1/2" to 8"
Rating: 150LB to 600LB

Design: ASME B16.34
Face to face: MFR STD
Flange end: ASME B16.5
Test and Inspection: API 598



Flanged Lift Type Check

Type: H41W
Size: 1/2" to 12"
Rating: 150LB to 600LB

Design: BS1868, ASME B16.34
Face to face: ASME B16.10
Flange end: ASME B16.5
Test and Inspection: API 598

CHECK VALVES HOW TO ORDER

VALVE CODE

H=CHECK VALVE

End con. code 1	Structure code 2	Seat code 3	Pressure 4	Size 5
7=Wafer style, inserted between flanges	1=Lift type	W=Integral metal	150LB~2500LB	1/2"~60"
0=Lug style, inserted between flanges	4=Swing single disc type(Long pattern)	Y=Overlay hard alloy	PN10-PN420	DN15-DN1500
4=Double flanged end	6=Swing double disc type	F=Soft seat		
1=FNPT end 2=MNPT end	8=Swing single disc(Short pattern)	H=Overlay 13Cr		
6=Weld end		M=Overlay Monel		

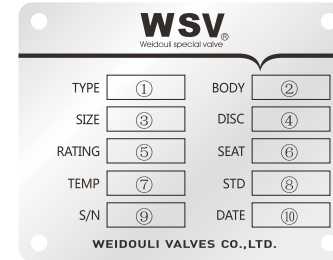
Sealing Surface Available	Soft seat	F-Viton, PTFE, NBR, EPDM
	Metal Seat	H-13Cr, W-Integral Metal, Y-Co-Cr Overlay, M-Monel

EXAMPLE: Dual plate check valve, Wafer style, Integral seat, 150LB, 8"

H76W-150LB-8"					
Valve code	End con.	Structure Code	Seat	Pressure	Size
H	7	6	W	150LB	6"
H	Wafer style	Swing double disc type	Integral Metal	150LB	8"

Notes:
The figure number system outlined below is designed to cover the most common configurations. If special features are required that are not listed below, please advise the detailed description for accurate processing.

CHECK VALVES VALVE MARKINGS

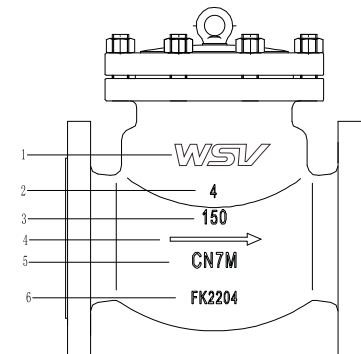


Valve ID Tag

No.		
①	Type	Identifies valves type
②	Body Material	Identifies body metal material composition
③	Size	Identifies bore size
④	Disc Material	Identifies disc material composition
⑤	Rating	Identifies pressure
⑥	Seat	Identifies seat material composition
⑦	Temp.	Identifies the suitable operating temperature
⑧	Standard	Identifies design standard
⑨	Serial Number	Identifies certified manufacturer's serial number
⑩	Date	Identifies valve manufacturing date

Valve Marking

NO.	Valve ID Components
1	Brand
2	Size
3	Rating
4	Flow Direction
5	Material Code
6	Heat Number



Notes: Weidouli reserves the right to modify our products for improvement without prior notice.

CHECK VALVES MATERIAL LIST

PRODUCT FIELD

Material	ASTM		
	Casting	Forging	Bars
Titanium & Titanium Alloy			
Titanium Gr.2	B367 Gr.C-2	B381 Gr.F-2	B348 Gr.2
Titanium Gr.3	B367 Gr.C-3	B381 Gr.F-3	B348 Gr.3
Titanium Gr.5	B367 Gr.C-5	B381 Gr.F-5	B348 Gr.5
Titanium Gr.6	B367 Gr.C-6	B381 Gr.F-6	B348 Gr.6
Titanium Gr.12	B367 Gr.C-12	B381 Gr.F-12	B348 Gr.12
Titanium Gr.7	B367 Pd7B	B381 Gr.F-7	B348 Gr.7
Nickel			
Nickel 200	A494 CZ100	B160 N02200	B160 N02200
Nickel 201		B160 N02201	B160 N02201
Nickel Base Alloy			
Monel 400	A494 M35-1	B564 N04400	B164 N04400
Monel K500		B865 N05500	B865 N05500
Inconel 600	A494 CY40	B564 N06600	B166 N06600
Inconel 625	A494 CW6MC	B564 N06625	B446 N06625
Incoloy 800	A351 CT15C	B564 N08800	B408 N08800
Incoloy 825	A494 CU5MCuC	B564 N08825	B425 N08825
Hastelloy B	A494 N12MV	B335 N10001	B335 N10001
Hastelloy B-2	A494 N7M	B462 N10665	B335 N10665
Hastelloy C276	A494 CW12MW	B574 N10276	B574 N10276
Hastelloy C-22	A494 CX2MW	B574 N06022	B574 N06022
Hastelloy C-4	A494 CW2M	B574 N06455	B574 N06455
Hastelloy G		B462 N06007	B581 N06007
Zirconium			
Zirconium 702	B752 702C	B493 R60702	B550 R60702
Zirconium 705	B752 705C	B493 R60705	B550 R60705
Super Austenitic Stainless Steel			
904L	904L	A182 F904L	B649 N08904
254SMO	A351 CK3MCuN	A182 F44	A276 S31254
AL-6XN	A351 CN3MN	B462 N08367	B688 N08367
ALLOY 20	A351 CN7M	B462 N08020	B473 N08020
Duplex & Super Duplex			
Duplex S31803	A890 4A	A182 F51	A276 S31803
Super Duplex S32750	A890 5A	A182 F53	A276 S32750
Super Duplex S32760	A890 6A	A182 F55	A276 S32760
Ali-Bronze			
Ni-Al-Br	B148 C95800/C95500		

Notes:

*The above materials are applicable to valve body. Contact Weidouli for the valve component material. Trademarks appeared on the book: SandvikAB for SAF 2205/SAF 2507; SPECIALS METALS for Inconel, Monel, Incoloy; Haynes for Hastelloy; Allegheny Ludium for AL-6XN; Avesta for 254SMO.
 *Other materials are available upon request, such as stainless steel, etc.

Petroleum Industry

The petroleum industry, also known as the oil industry or the oil patch, includes the global processes of exploration, extraction, refining, transporting (often by oil tankers and pipelines), and marketing of petroleum products. Weidouli designed Duplex, Ali Bronze, Titanium valves are ideal products for the downstream and upstream pipe requirements.

Coal Chemistry

Coal Chemistry includes coal coking, gasification, liquefaction, coal refinery etc. Weidouli designed valves are mostly used for coal coking, gasification.

Organic Chemistry

An organic compound is virtually any chemical compound that contains carbon, although a consensus definition remains elusive and likely arbitrary. Weidouli has abundant performance on such applications, such as acetic acid, PTA, Alkylation, Cyclohexanone, BDO, sec-Butyl Acetate.

Inorganic Chemistry

Inorganic chemistry deals with the synthesis and behavior of inorganic and organometallic compounds. This field covers all chemical compounds except the myriad organic compounds (carbon based compounds, usually containing C-H bonds), which are the subjects of organic chemistry.

New Energy

Due to worldly fast-growth, energy consumption is increasing, energy supply and demand gap is increasing as well. Therefore, development of new energy becomes the main subjects for all around the world. New energy, is based on the new technology, the system development and utilization of renewable energy, such as nuclear energy, solar energy, ocean energy and so on.

Environmental Water Treatment

Water treatment is any process that makes water more acceptable for a specific end-use. The end use may be drinking, industrial water supply, irrigation, river flow maintenance, water recreation or many other uses, including being safely returned to the environment. Water treatment removes contaminants and undesirable components, or reduces their concentration so that the water becomes fit for its desired end-use.



WEIDOLI
PERFORMANCES



Weidoli valves for critical applications in chemical and petrochemical process (PTA process, Acetic acid, sulfuric and nitric acid, and chlorine services, Caustic Soda etc.), Onshore/Offshore (Desalination processing, oil/water separation, Fire Fighting, Cooling system), FPSO/FSO, Oil&Gas, Water treatment, Refinery, Pulp & Paper, Mining, Power generation etc.