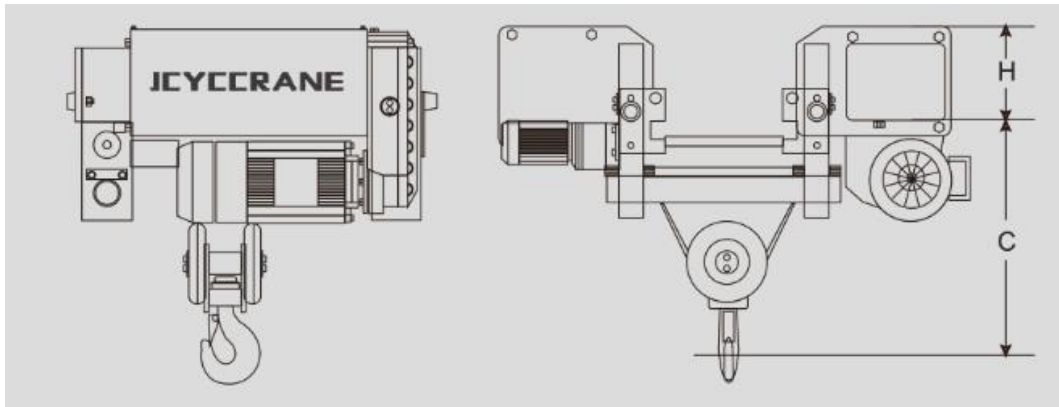


European design wire rope hoist



Load capacity(kg)	FEM	ISO	Height(m)	Speed(m/min)	Trolley speed(m/min)	H size(mm)	C sizer(mm)
1000	4m	M7	6/9/12	0.8/5.0	5-20	232	500
1250	3m	6M	6/9/12	0.8/5.0	5-20	232	500
1600	3m	6M	6/9/12	0.8/5.0	5-20	232	500
1600	2m	5M	6/9/12/18	1.6/1.0	5-20	254	660
2000	2m	5M	6/9/12	0.8/5.0	5-20	232	500
2000	3m	6M	6/9/12/18	1.6/1.0	5-20	254	660
2500	3m	6M	6/9/12	0.8/5.0	5-20	232	500
2500	2m	5M	6/9/12/18	1.6/1.0	5-20	254	660
3200	2m	5M	6/9/12	0.8/5.0	5-20	232	500
3200	1Am	4M	6/9/12	1.6/1.0	5-20	254	660
5000	2m	5M	6/9/12/18	0.8/5.0	5-20	321	590
5000	2m	5M	6/9/12/18	1.6/1.0	5-20	254	790
6300	1Am	4M	6/9/12/18	0.8/5.0	5-20	321	590
8000	3m	6M	6/9/12/18	0.8/5.0	5-20	254	740
10000	2m	6M	6/9/12/18	0.8/5.0	5-20	321	740
10000	3m	4M	6/9/12/18	0.6/4.0	5-20	364	850
12500	1Am	5M	6/9/12/18	0.8/5.0	5-20	321	740
12500	2m	5M	6/9/12/18	0.6/4.0	5-20	404	850

16000	2m	4M	6/9/12/1 8	0.6/4.0	5-20	404	850
20000	1Am	5M	6/9/12/1 8	0.6/4.0	5-20	404	850