

PART LIST—Model No. 831.105150

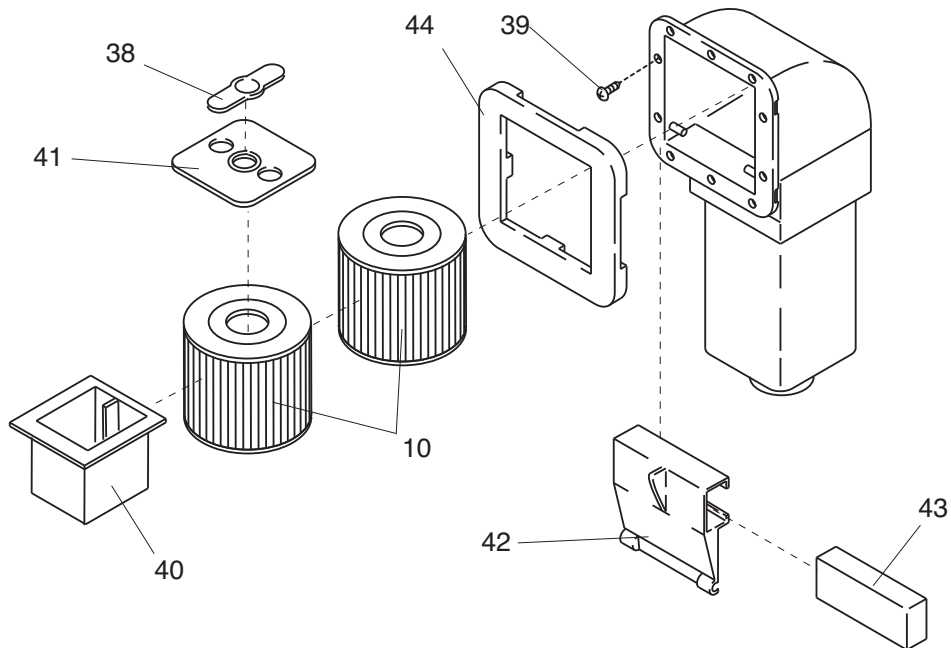
R0400A

| Key No. | Qty. | Description | Key No. | Qty. | Description |
|---------|------|----------------------|---------|------|-----------------------|
| 1 | 8 | Buckle Screw | 27 | 1 | 1/2" O-ring |
| 2 | 4 | Buckle | 28 | 1 | Console Wire Harness |
| 3 | 2 | Bracket Screw | 29 | 2 | Wing Nut |
| 4 | 4 | Mounting Bolt | 30 | 1 | Console Bracket |
| 5 | 4 | Mounting Nut | 31 | 2 | Cover Screw |
| 6 | 1 | Blue Lens | 32 | 2 | Suction Cover |
| 7 | 1 | Heater Switch | 33 | 1 | Drain Plug |
| 8 | 4 | Small Star Washer | 34 | 6 | Rubber Washer |
| 9 | 1 | Heat Sensor | 35 | 1 | Rubber Gasket |
| 10 | 2 | Filter Cartridge | 36 | 1 | 1 1/2" Elbow Pipe |
| 11 | 1 | Hose Cap | 37 | 1 | 2" O-ring |
| 12 | 1 | Not used | 38 | 1 | Filter Diverter Valve |
| 13 | 1 | Pump Motor | 39 | 10 | #8 x 1 1/2" Screw |
| 14 | 1 | Control Unit | 40 | 1 | Basket |
| 15 | 1 | Spa Unit | 41 | 1 | Filter Diverter |
| 16 | 1 | Console | 42 | 1 | Weir Door |
| 17 | 1 | Air Control Knob | 43 | 1 | Foam, Weir |
| 18 | 1 | Spa Cover | 44 | 1 | Trim Plate |
| 19 | 4 | Control Unit Screw | # | 4 | Access Cover Screw |
| 20 | 2 | Small Index Nut | # | 1 | Access Cover |
| 21 | 1 | Adjustment Bracket | # | 2 | Key |
| 22 | 1 | Hose Washer | # | 1 | Starter Chemical Pack |
| 23 | 2 | Small Bracket Screw | # | 1 | Light Bulb |
| 24 | 1 | Sensor Fitting | # | 1 | User's Manual |
| 25 | 6 | Multidirectional Jet | | | |
| 26 | 1 | Red Lens | | | |

Note: “#” indicates a non-illustrated part. Specifications are subject to change without notice.

EXPLODED DRAWING—Model No. 831.105150

R0400A



EXPLODED DRAWING—Model No. 831.105150

R0400A

