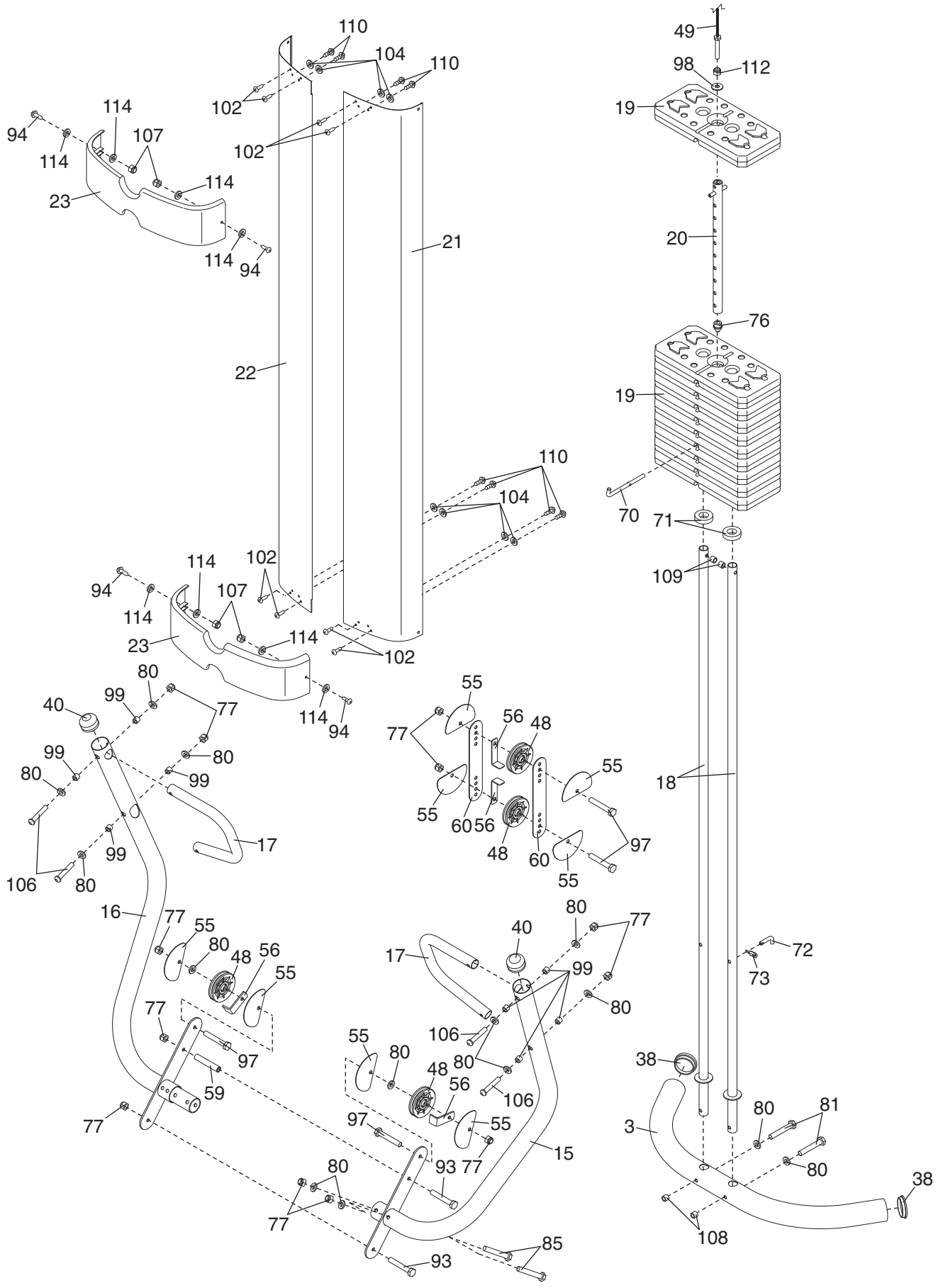


# EXPLODED DRAWING—Model No. 831.14622.0

R1006A



# EXPLODED DRAWING—Model No. 831.14622.0

R1006A

