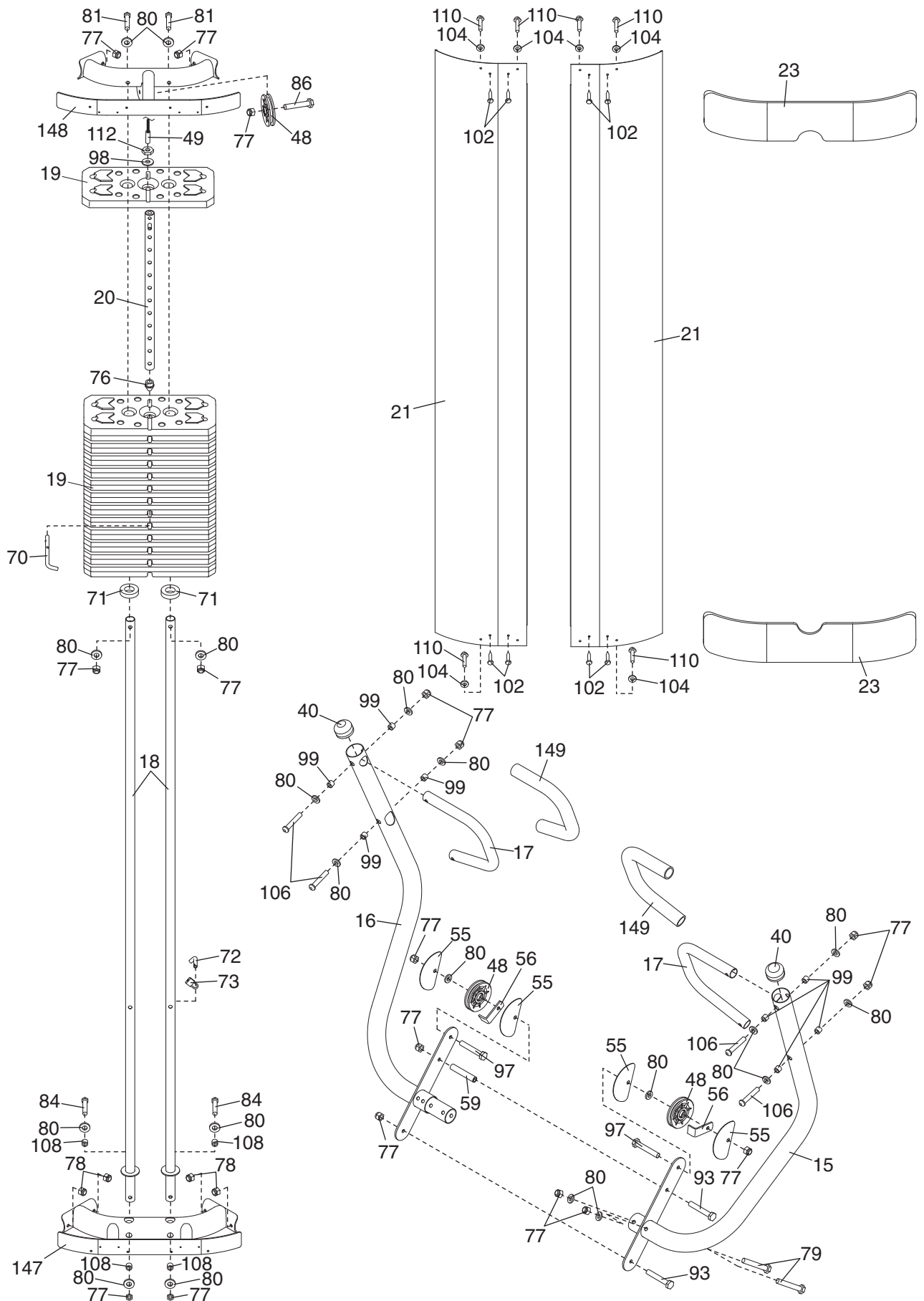


EXPLODED DRAWING—Model No. 831.14623.0

R0606A



EXPLODED DRAWING—Model No. 831.14623.0

R0606A

