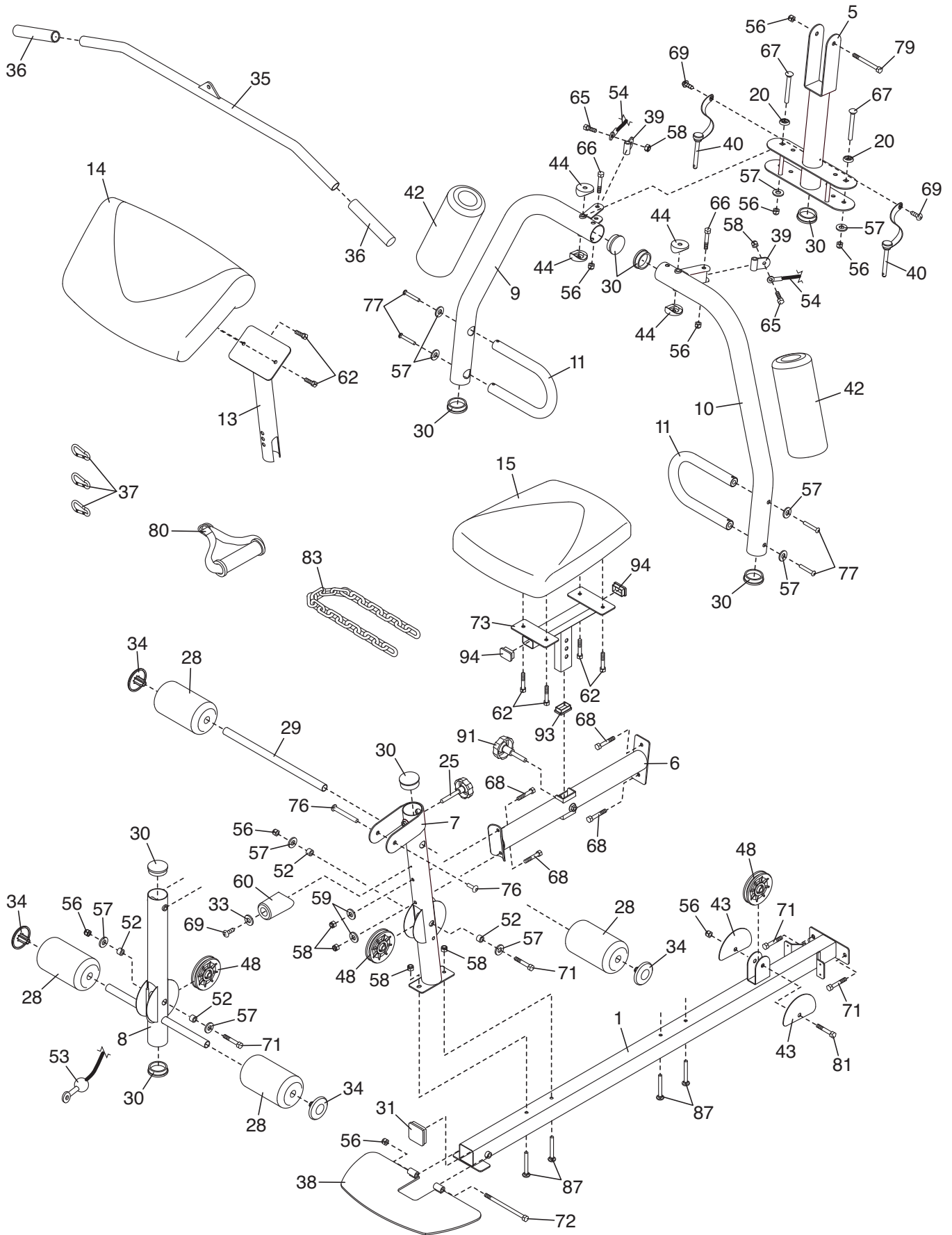


EXPLODED DRAWING A

Model No. 831.14922.1 R0911A



EXPLODED DRAWING B

Model No. 831.14922.1 R0911A

