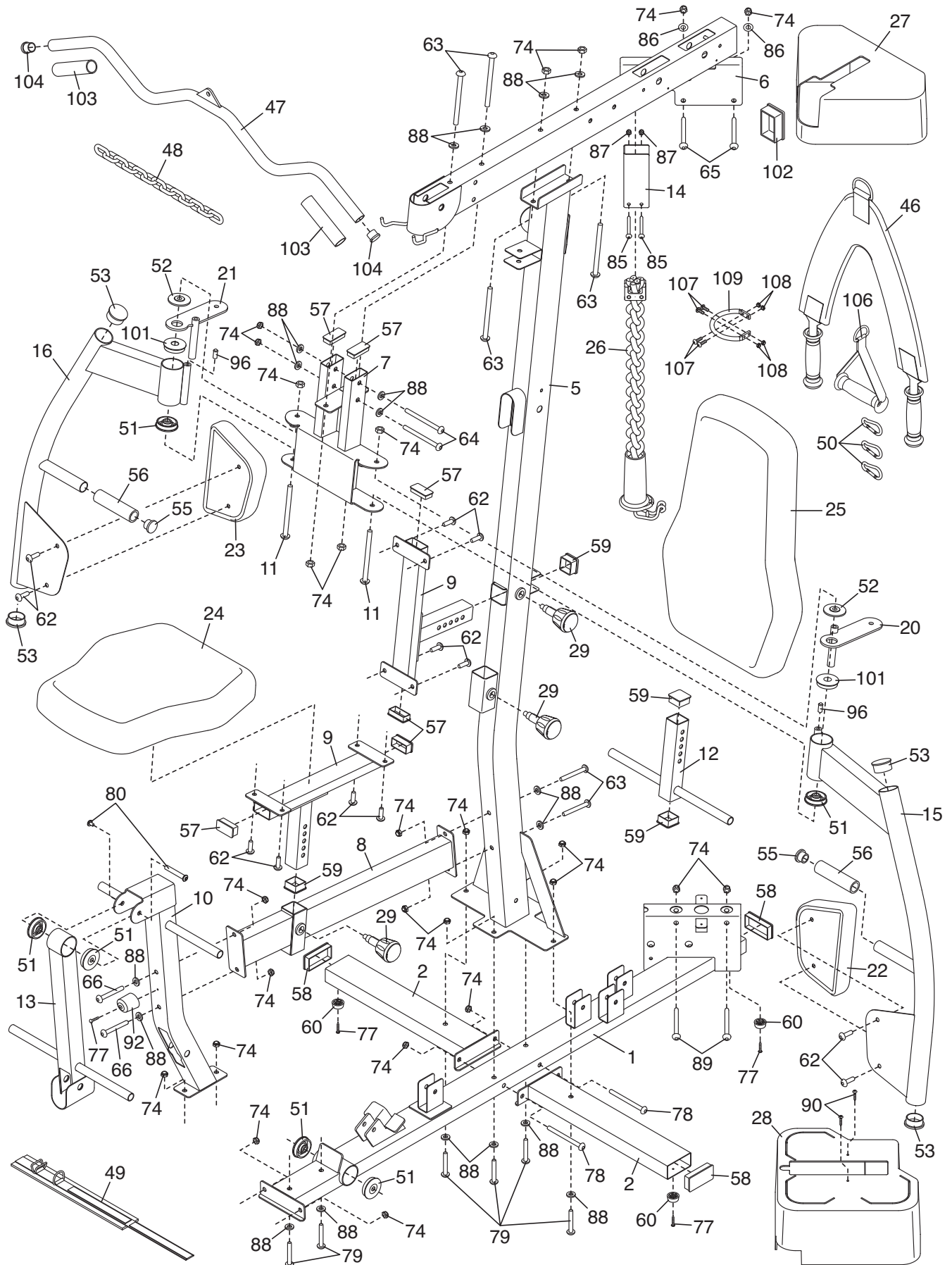


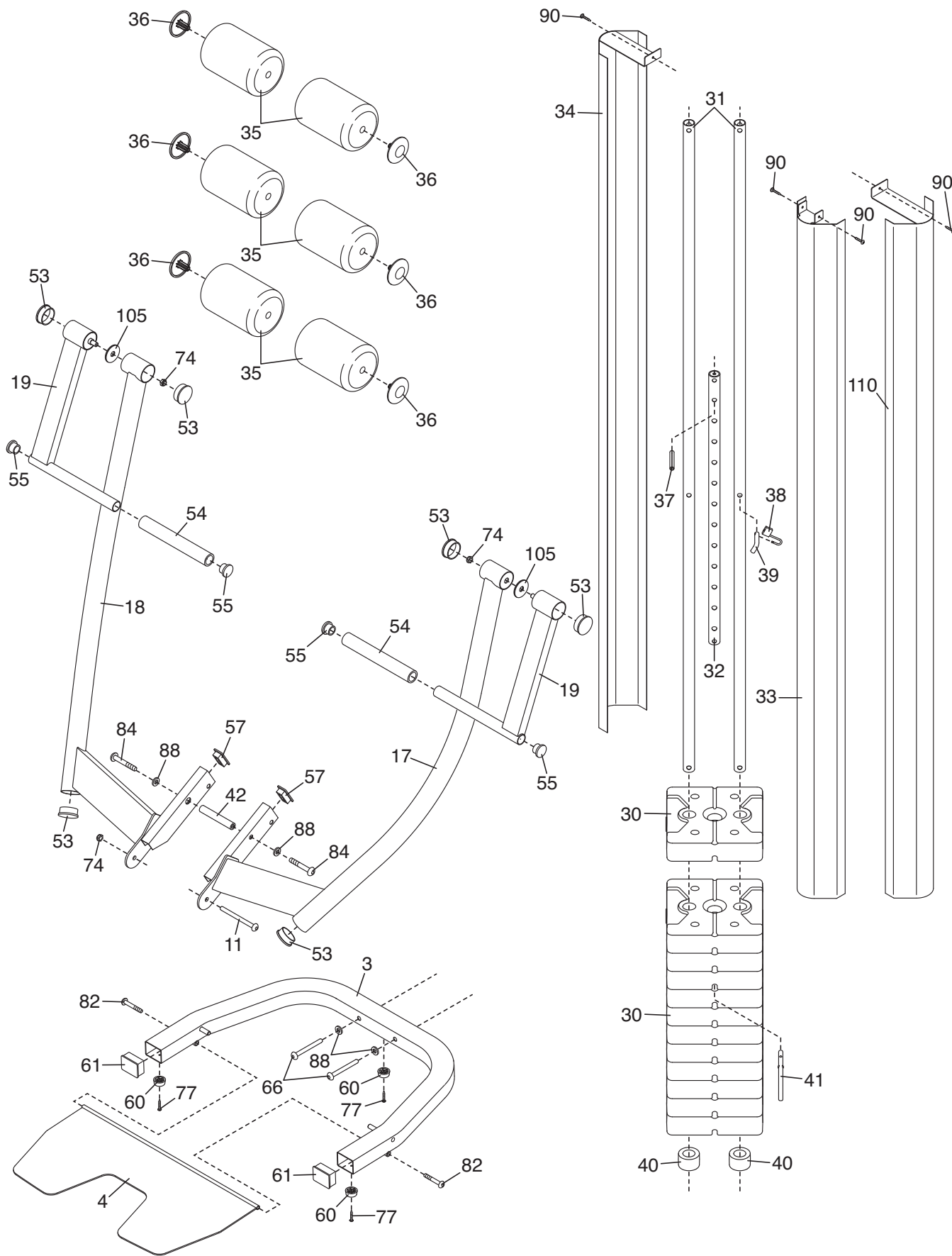
# EXPLODED DRAWING A—Model No. 831.14923.0

R1010B



# EXPLODED DRAWING B—Model No. 831.14923.0

R1010B



# EXPLODED DRAWING C—Model No. 831.14923.0

R1010B

