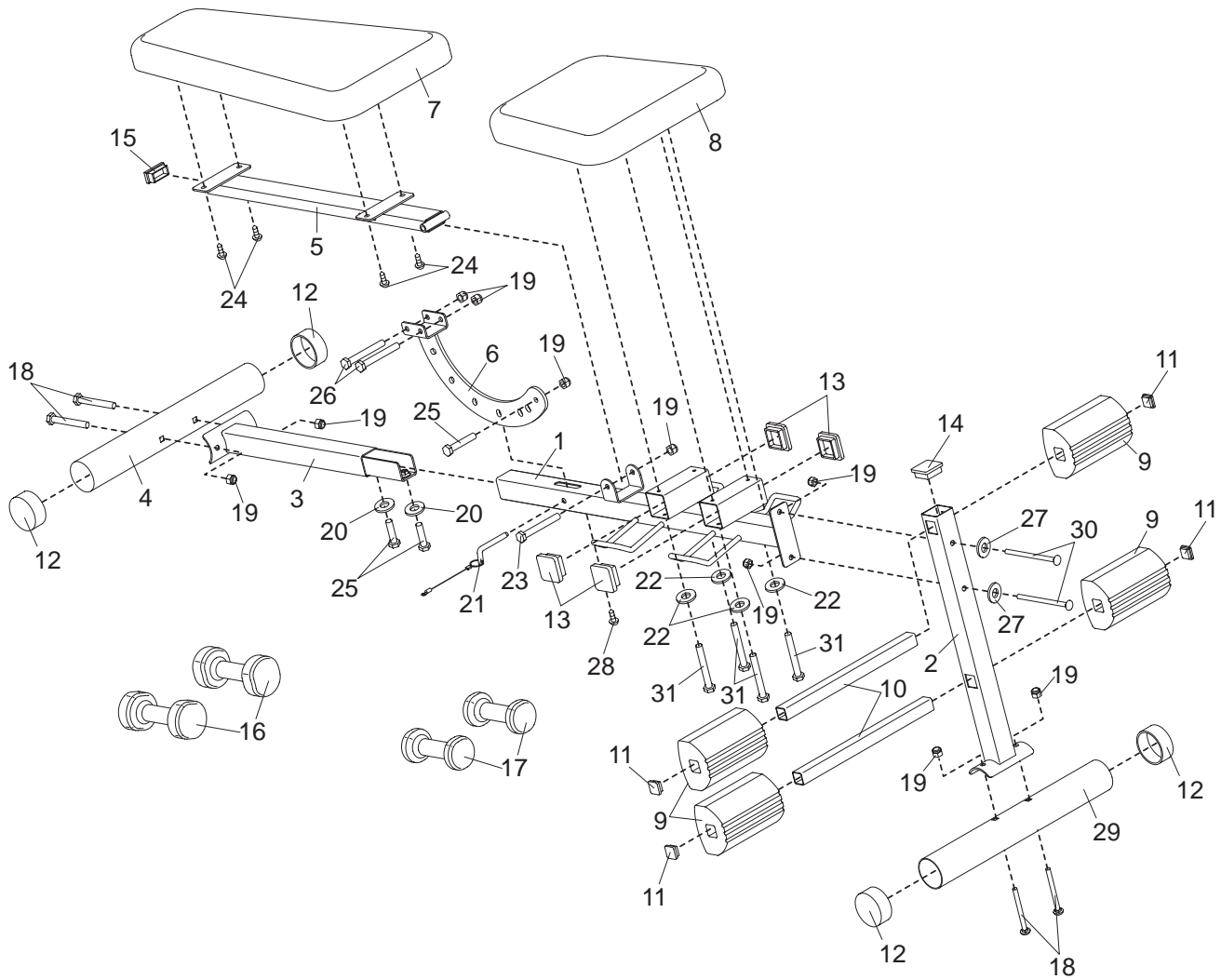


# PART LIST/EXPLODED DRAWING—Model No. 831.150260

R0703A



Key No.	Qty.	Description	Key No.	Qty.	Description
1	1	Frame	18	4	M10 x 63mm Carriage Bolt
2	1	Front Leg	19	10	M10 Nylon Locknut
3	1	Rear Leg	20	2	M10 Washer
4	1	Silver Stabilizer	21	1	Locking Pin
5	1	Backrest Frame	22	4	M6 Washer
6	1	Pivot Bracket	23	1	M10 x 85mm Bolt
7	1	Backrest	24	4	M6 x 16mm Bolt
8	1	Seat	25	3	M10 x 20mm Bolt
9	4	Foam Pad	26	2	M10 x 70mm Bolt
10	2	Pad Tube	27	2	M10 Large Washer
11	4	25mm Square Inner Cap	28	1	M4 x 16mm Screw
12	4	50mm Round Outer Cap	29	1	Black Stabilizer
13	4	50mm Square Inner Cap	30	2	M10 x 63mm Bolt
14	1	45mm Square Inner Cap	31	4	M6 x 60mm Bolt
15	1	25mm x 50mm Inner Cap	#	1	User's Manual
16	2	5-pound Dumbbell	#	1	Exercise Guide
17	2	3-pound Dumbbell	#	1	Grease Pack

Note: “#” indicates a non-illustrated part. Specifications are subject to change without notice. See the back cover of this manual for information about ordering replacement parts. If a part is missing, call toll-free 1-800-999-3756.