

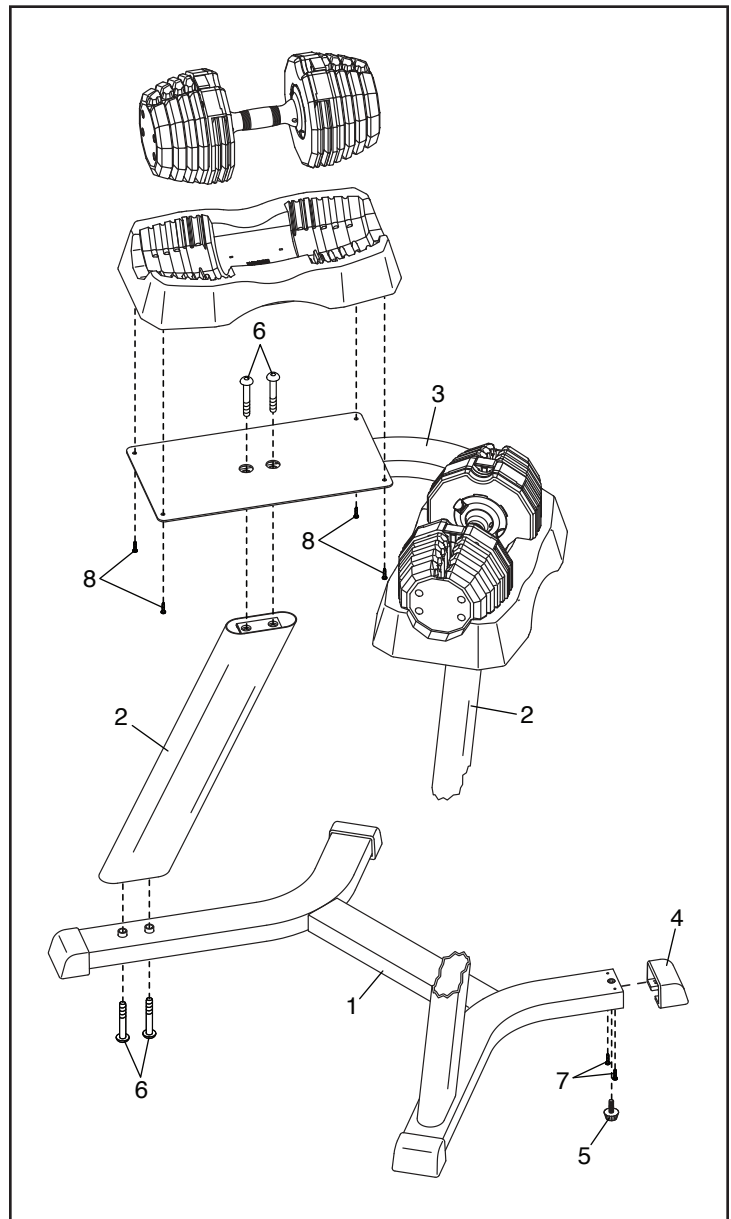
HOW TO LEVEL THE STAND

If the stand rocks slightly on your floor during use, turn one or both of the leveling feet beneath the base until the rocking motion is eliminated.

PART LIST/EXPLODED DRAWING

Key No.	Qty.	Description
1	1	Base
2	2	Upright
3	1	Tray Frame
4	4	Base Cap
5	2	Leveling Foot
6	8	M10 x 65mm Screw
7	8	#8 x 3/4" Screw
8	8	M6 x 20mm Screw
*	—	Assembly Tool
*	—	User's Manual

Note: **The 15036 Adjustable Dumbbell Set is not included.** Specifications are subject to change without notice. For information about ordering replacement parts, see REPLACEMENT PARTS below. *These parts are not illustrated.



REPLACEMENT PARTS

Replacement parts may be available. For information about replacement parts, contact Customer Care. See HOW TO CONTACT CUSTOMER CARE on the back cover.