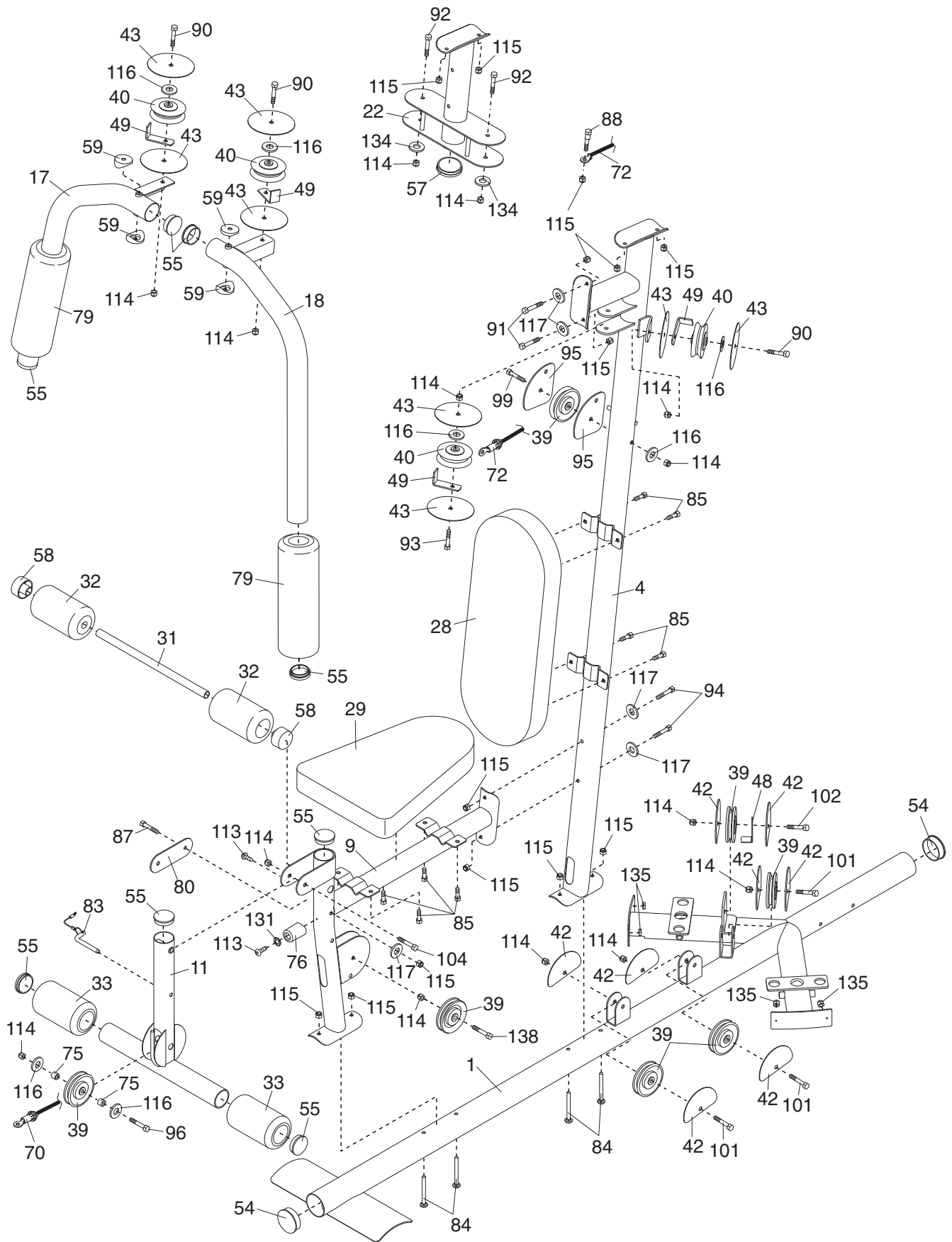
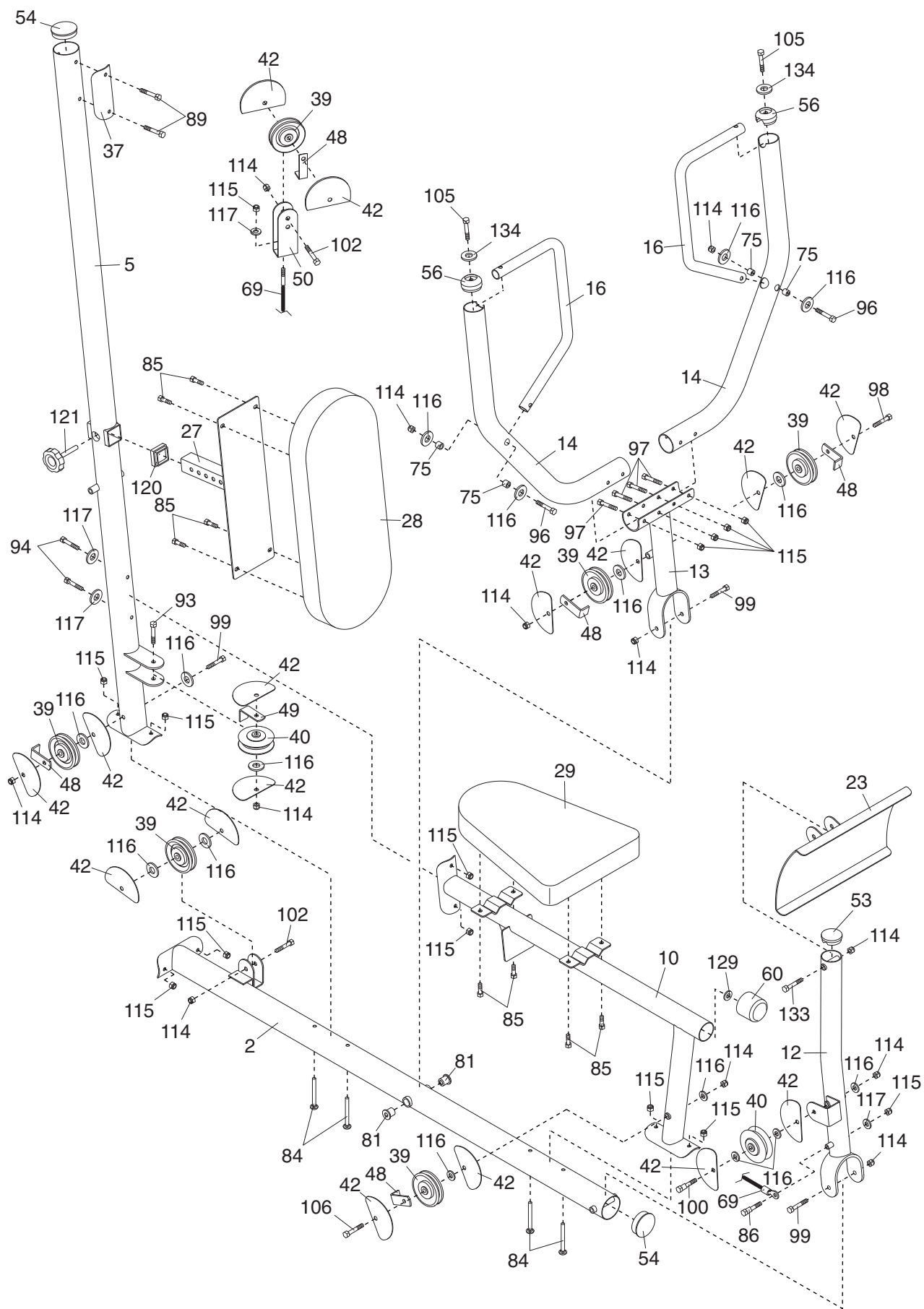


EXPLODED DRAWING—Model No. 831.154030

R0704A





EXPLODED DRAWING—Model No. 831.154030

R0704A

