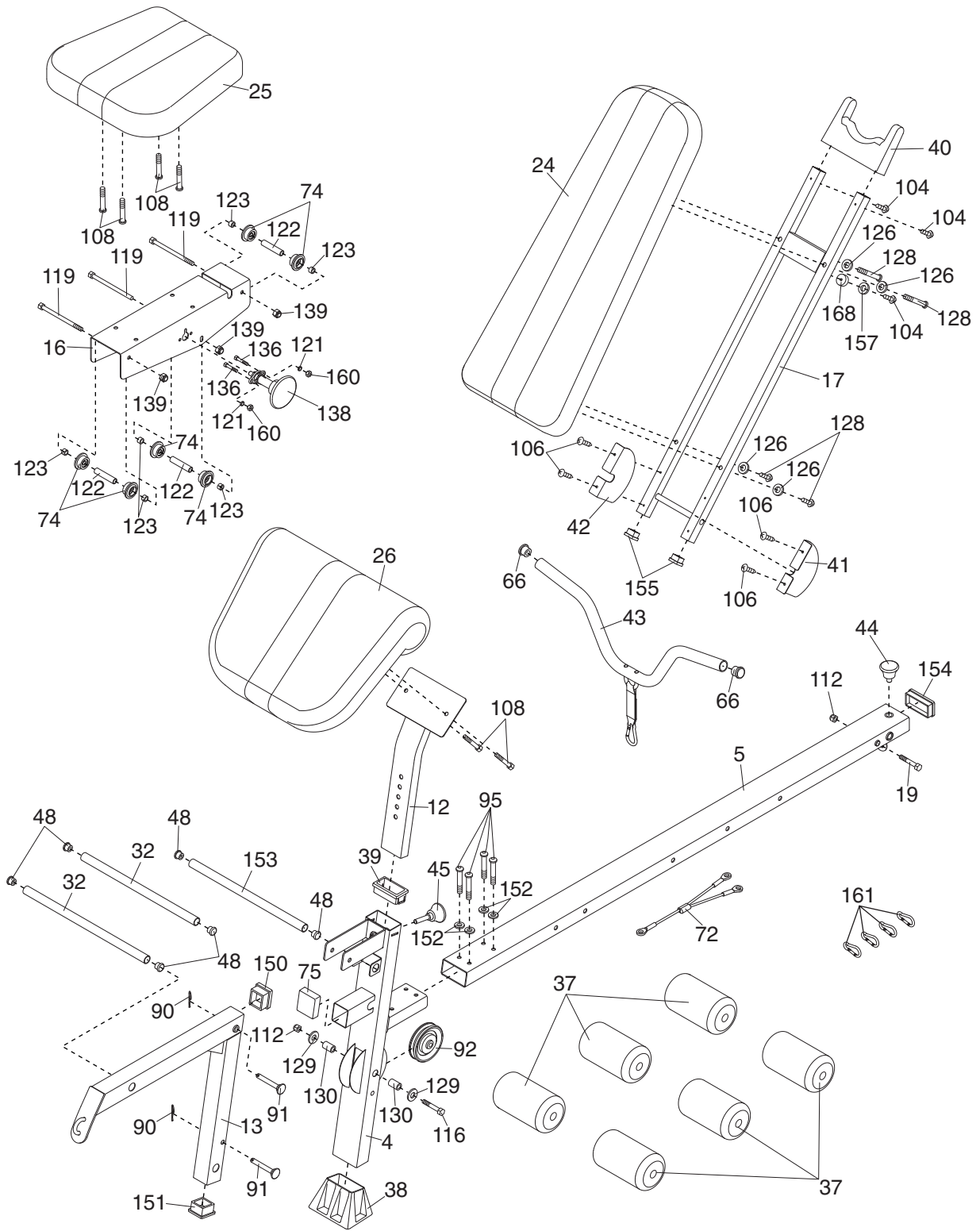


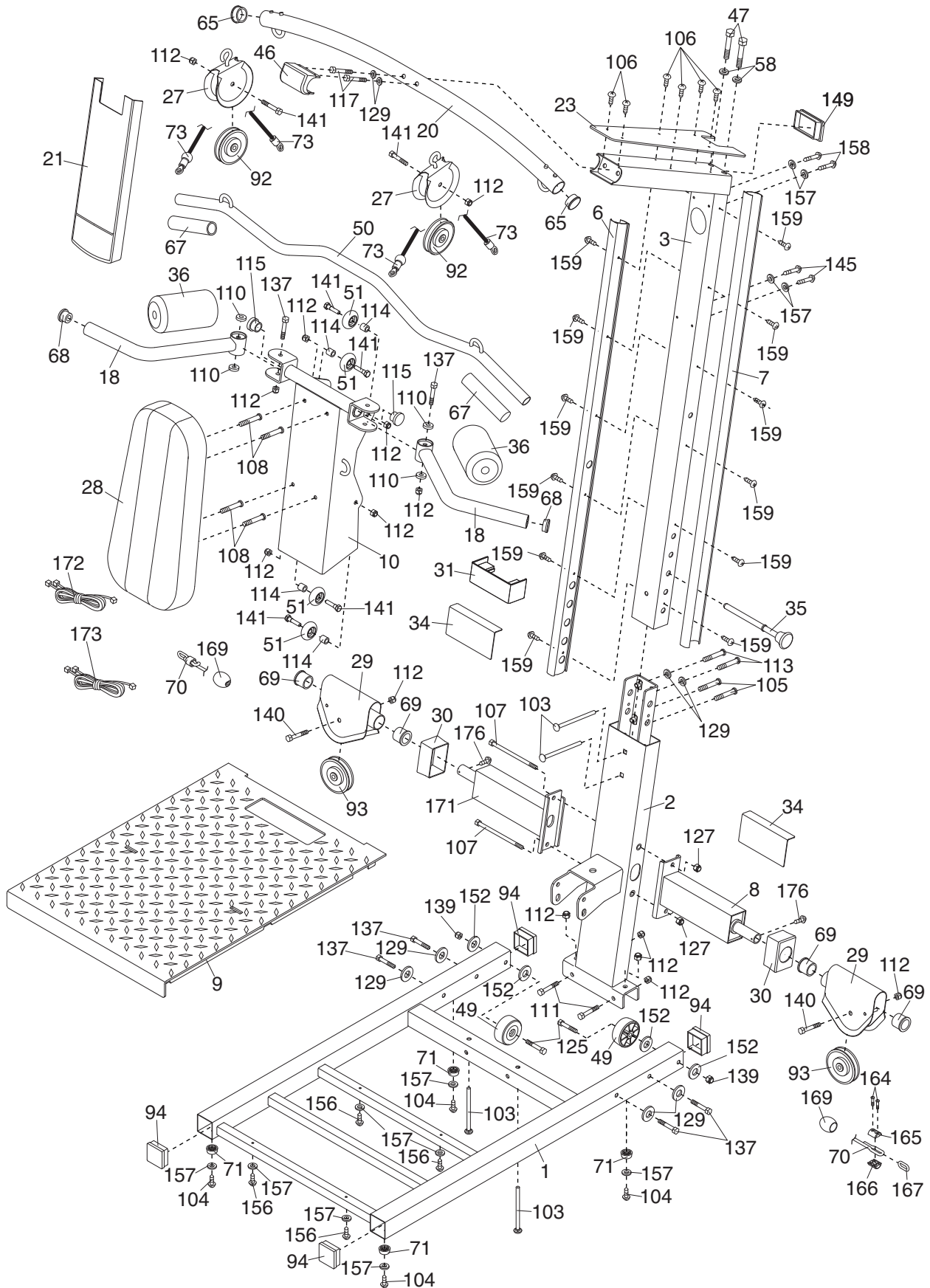
EXPLODED DRAWING A—Model No. 831.15407.0

R1005A



EXPLODED DRAWING B—Model No. 831.15407.0

R1005A



EXPLODED DRAWING C—Model No. 831.15407.0

R1005A

