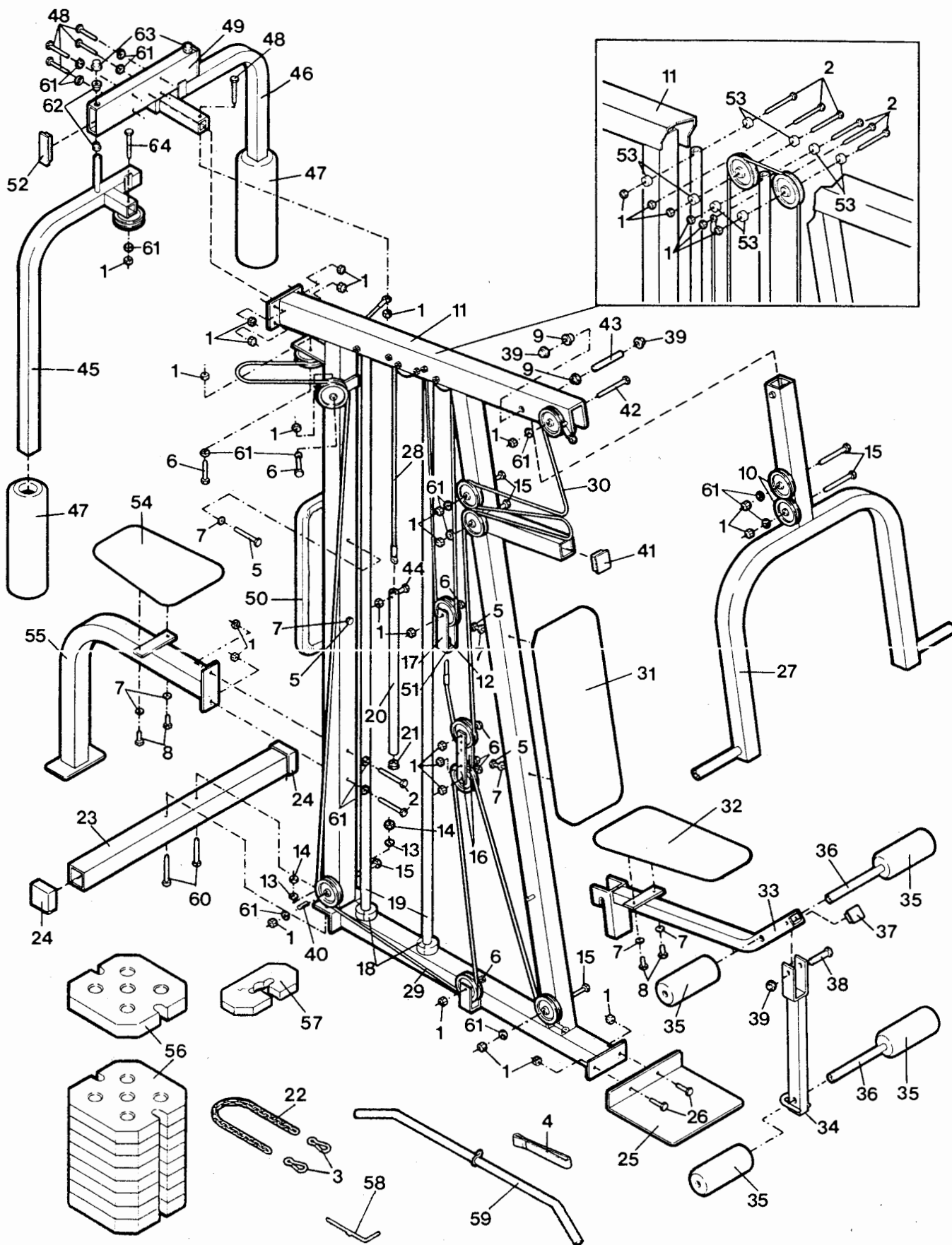


EXPLODED DRAWING—Model No. 831.159213

Rev. 3/93



Specifications are subject to change without notice.