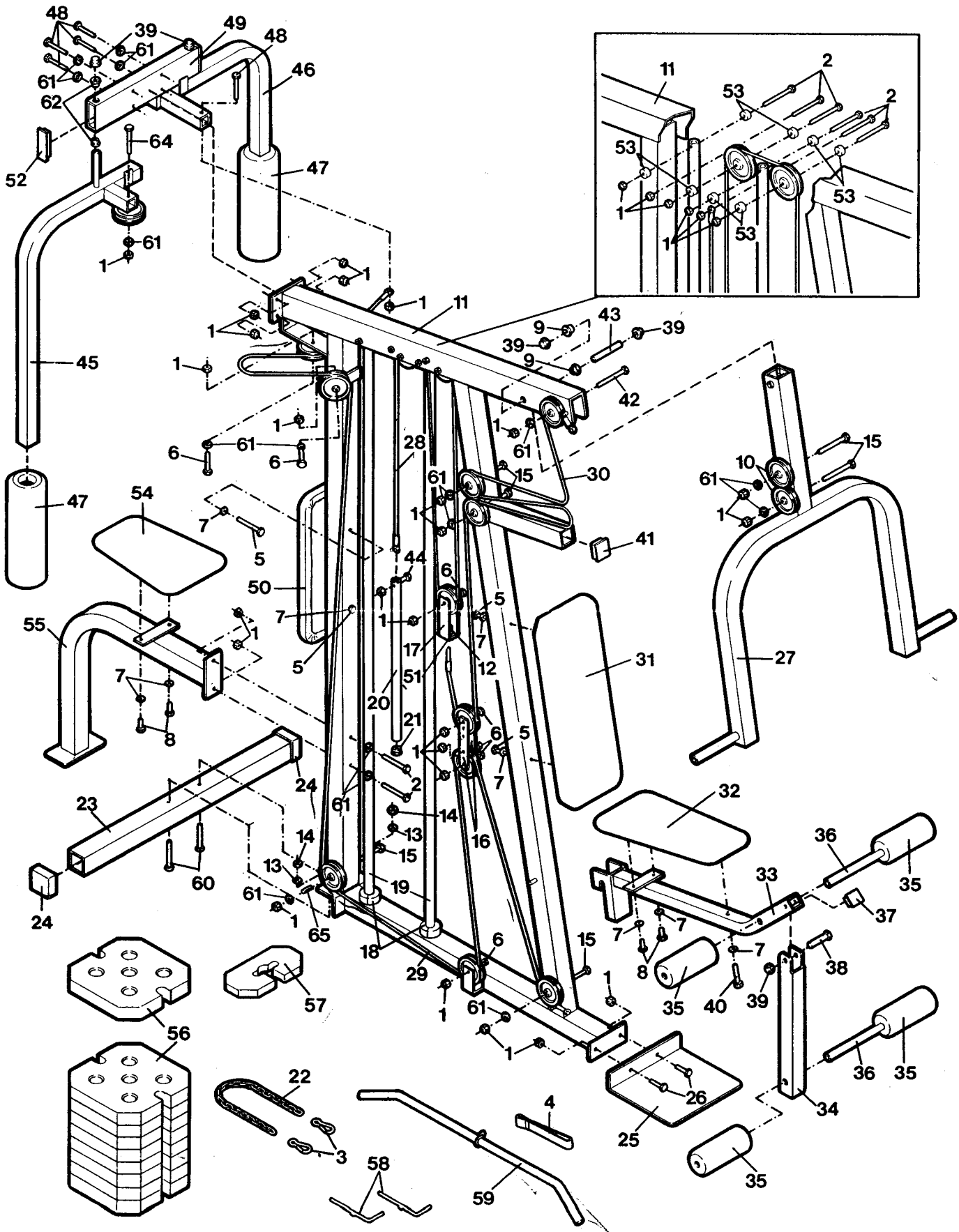


PART LIST—Model No. 831.159211

Rev. 10/92

Key No.	Reorder No.	Qty.	Description	Key No.	Reorder No.	Qty.	Description
1	012108	31	3/8" Nylock Nut	35	103805	4	Small Foam Pad
2	105329	8	3/8" x 2 3/4" Bolt	36	108726	2	Pad Tube
3	103087	2	Cable Clip	37	103833	1	Press Seat Rail Endcap
4	107048	1	Ankle Strap	38	111181	1	Leg Lever Pin
5	013341	4	1/4" x 2 1/2 Bolt	39	100150	3	Hat Axle Cap
6	013564	7	3/8" x 1 3/4" Bolt	40	013498	1	1/4" x 2" Bolt
7	014062	9	1/4" Lock Washer	41	110729	1	Frame Endcap
8	013456	4	1/4" x 3/4" Bolt	42	101263	1	3/8" x 4" Bolt
9	111180	2	1/2" Brass Bushing	43	111184	1	Press Arm Axle
10	108192	16	Pulley ₁	44	013369	1	3/8" x 1 1/2" Bolt
11	110678	1	Frame	45	111185	1	Left Butterfly Arm
12	101138	2	5/16" Adjustment Nut	46	111186	1	Right Butterfly Arm
13	110468	2	3/8" Lock Washer	47	105342	2	Large Foam Pad
14	012159	2	3/8" Nut	48	103045	5	3/8" x 2 1/2" Bolt
15	104049	6	3/8" x 3 1/2" Bolt	49	111187	1	Butterfly Support
16	109875	2	"I"-Plate	50	110713	1	Butterfly Backrest
17	110727	1	"U"-Bracket	51	014041	1	5/16" Washer
18	110724	2	Weight Bumper	52	110722	2	Butterfly Support Endcap
19	110923	2	Weight Guide	53	105309	8	Spacer
20	111182	1	Weight Selector Tube	54	110781	1	Butterfly Seat
21	110726	1	Weight Tube Endcap	55	110709	1	Butterfly Seat Rail
22	105315	1	Chain	56	109431	9	Large Weight
23	110690	1	Stabilizer	57	109392	1	Small Weight
24	105723	2	Stabilizer Endcap	58	110723	2	Weight Pin
25	108832	1	Foot Plate	59	105311	1	Lat Bar
26	105134	2	3/8" x 3/4" Bolt	60	108674	2	3/8" x 2 1/2" Carriage Bolt
27	111183	1	Press Arm	61	014087	16	3/8" Washer
28	110290	1	Weight Cable	62	109989	4	3/4" Brass Bushing
29	110737	1	Long Cable	63	103735	2	Large Axle Cap
30	109461	1	Upper Cable	64	013580	1	3/8" x 3" Bolt
31	110761	1	Press Backrest	65	111412	16	Pulley Sleeve
32	110763	1	Press Seat	#	110956	1	Owner's Manual
33	108834	1	Press Seat Rail	#	110814	1	Exercise Manual
34	109878	1	Leg Lever	#	104838	1	Grease Tube

Note: "#" indicates a non-illustrated part. Specifications are subject to change without notice. See the back cover of this manual for information about ordering replacement parts.



Specifications are subject to change without notice.