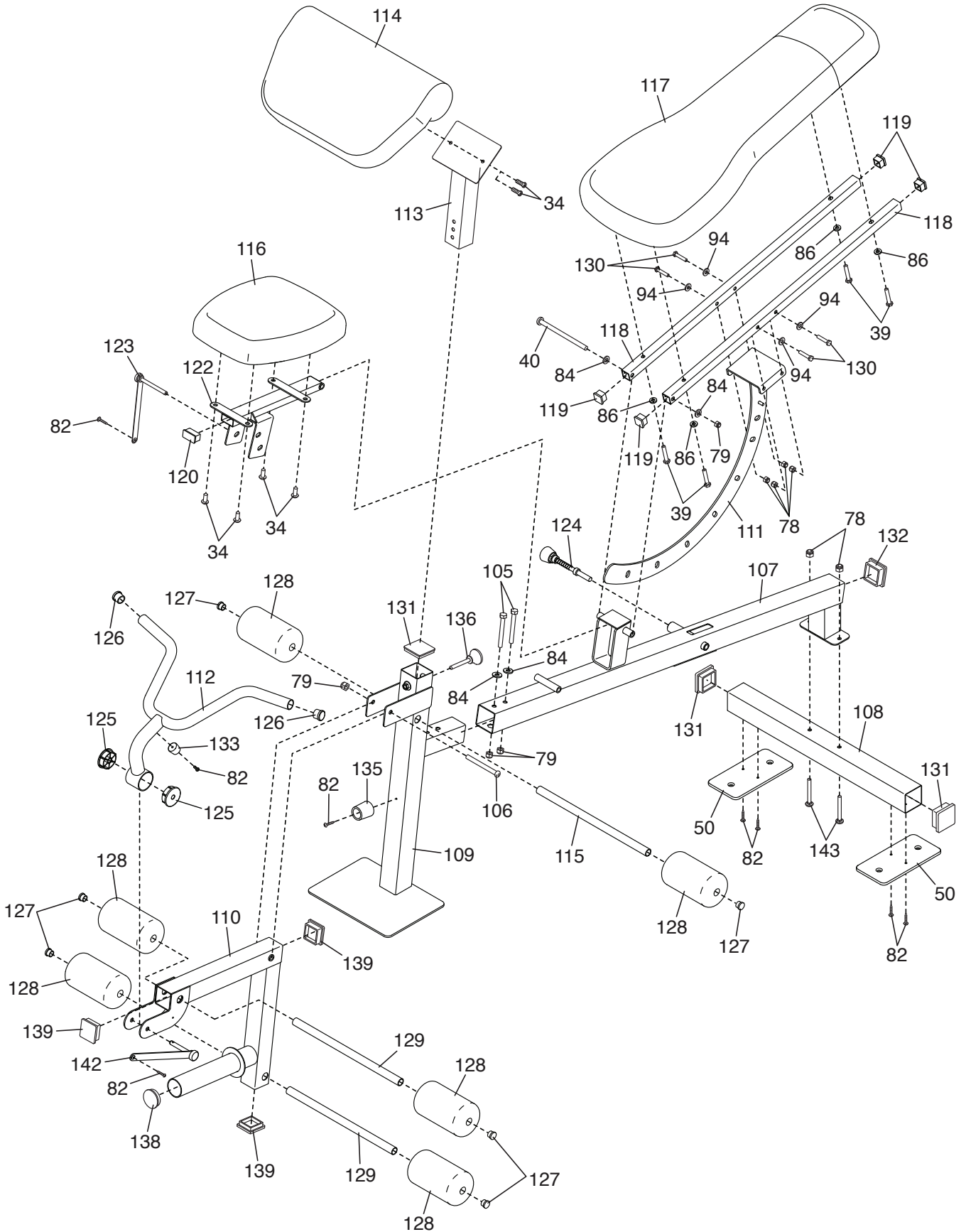


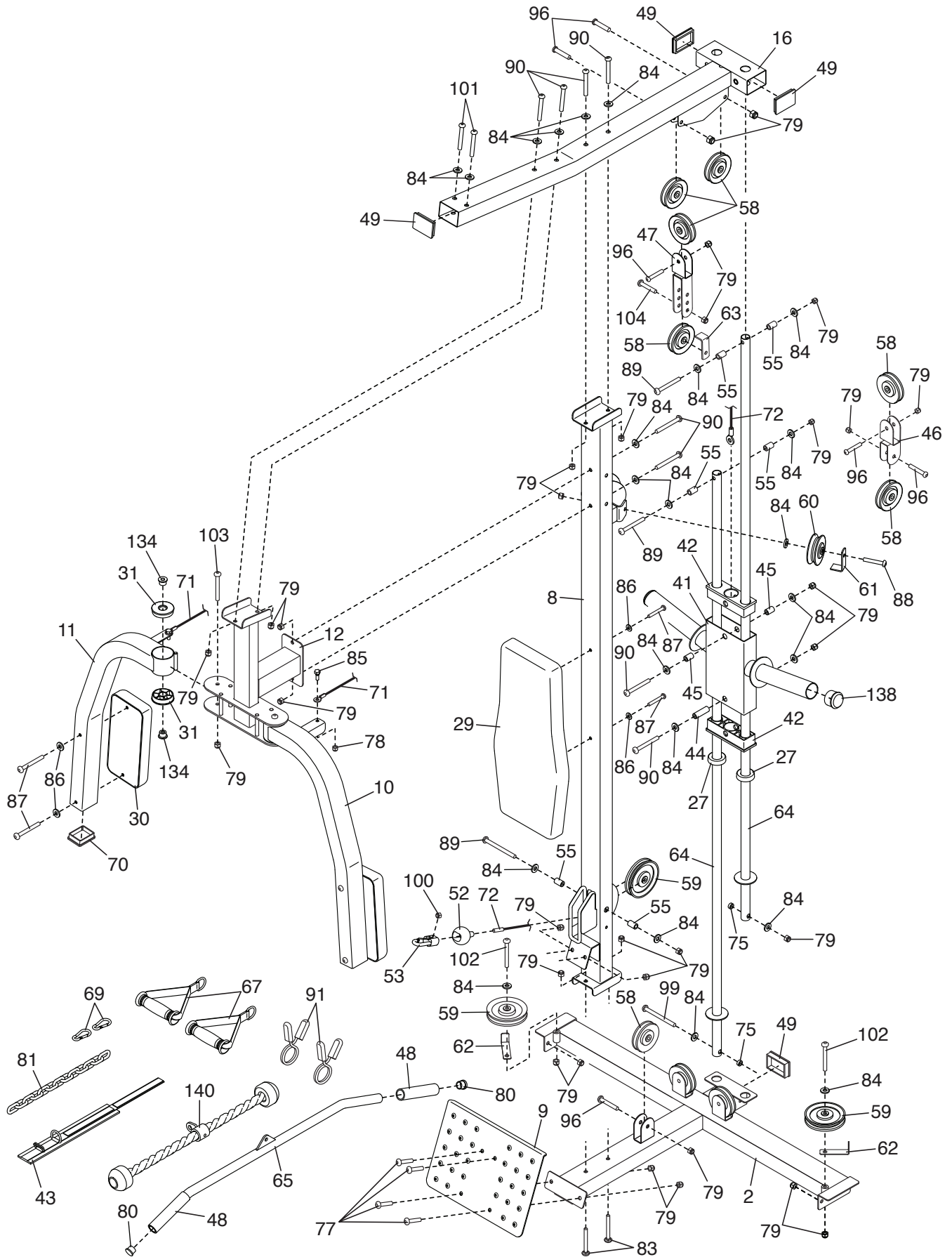
EXPLODED DRAWING A

Model No. 831.15962.0 R1120A



EXPLODED DRAWING B

Model No. 831.15962.0 R1120A



EXPLODED DRAWING C

Model No. 831.15962.0 R1120A

