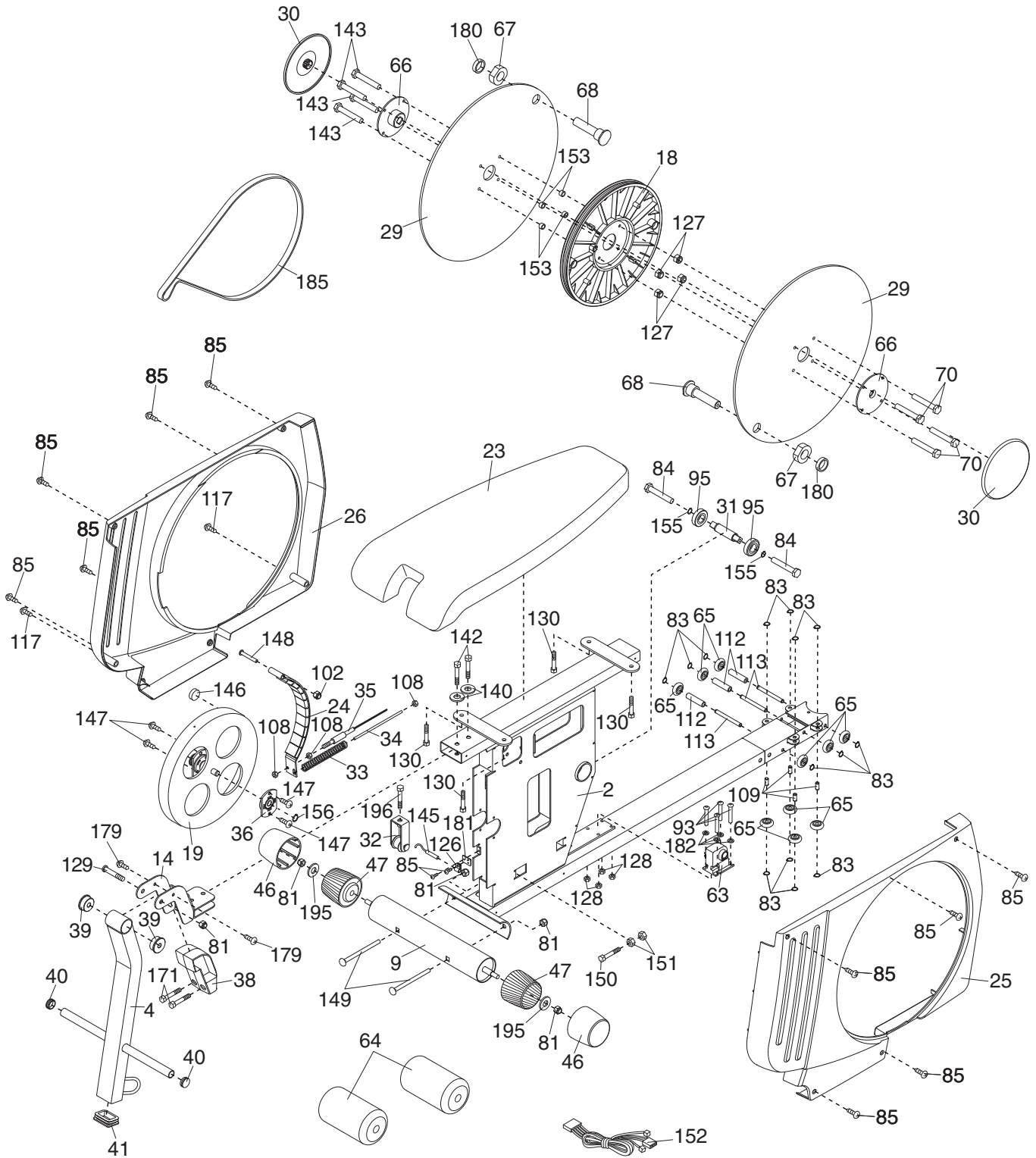


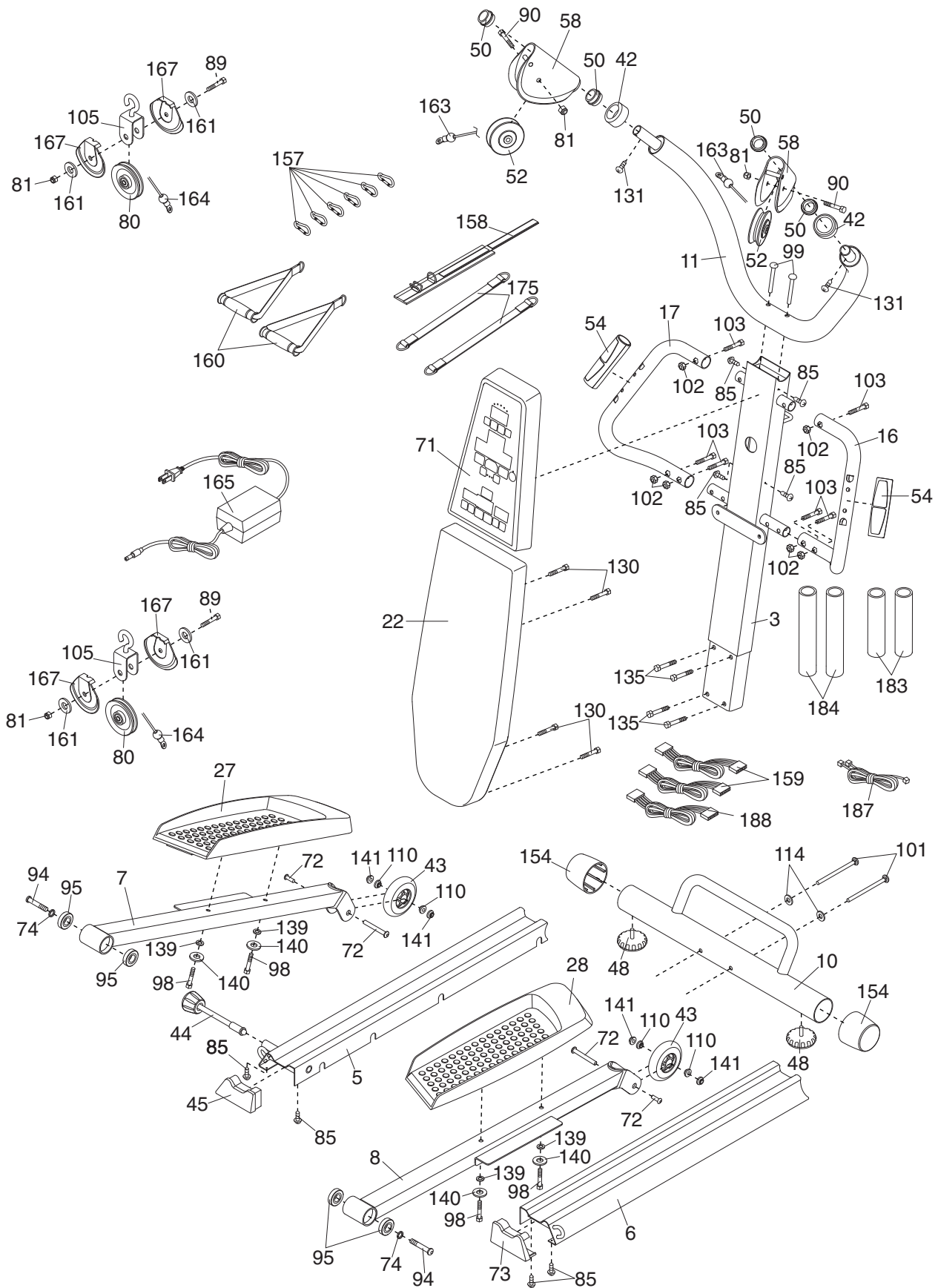
EXPLODED DRAWING A—Model No. 831.159951

R0305A



EXPLODED DRAWING B—Model No. 831.159951

R0305A



EXPLODED DRAWING C—Model No. 831.159951

R0305A

