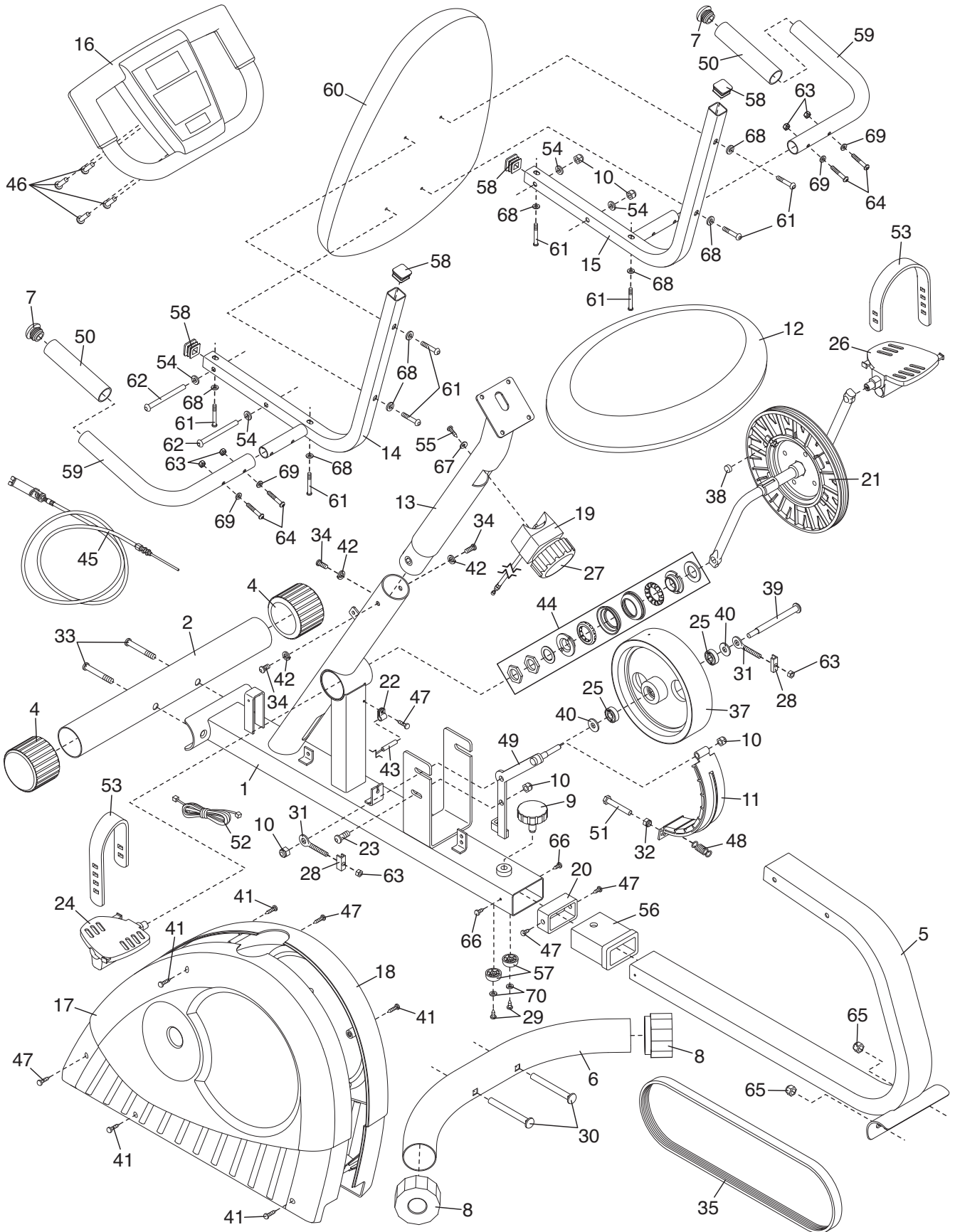


EXPLODED DRAWING SEARS MODEL NO. 831.21611.0; KMART MODEL NO. WLEX1476.0



R1109A