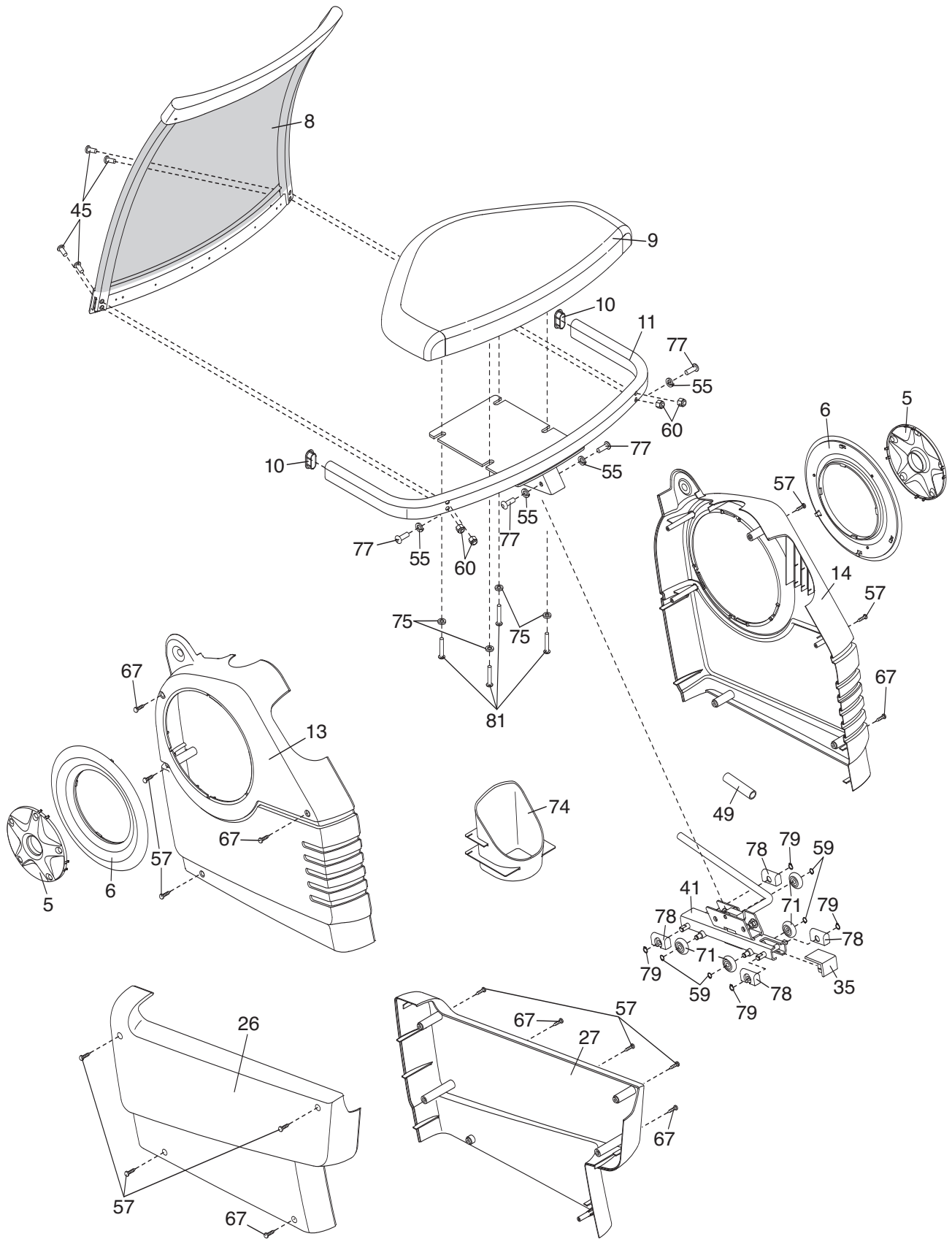


# EXPLODED DRAWING A—Model No. NTEX4196.0

R1006A



# EXPLODED DRAWING B—Model No. NTEX4196.0

R1006A

