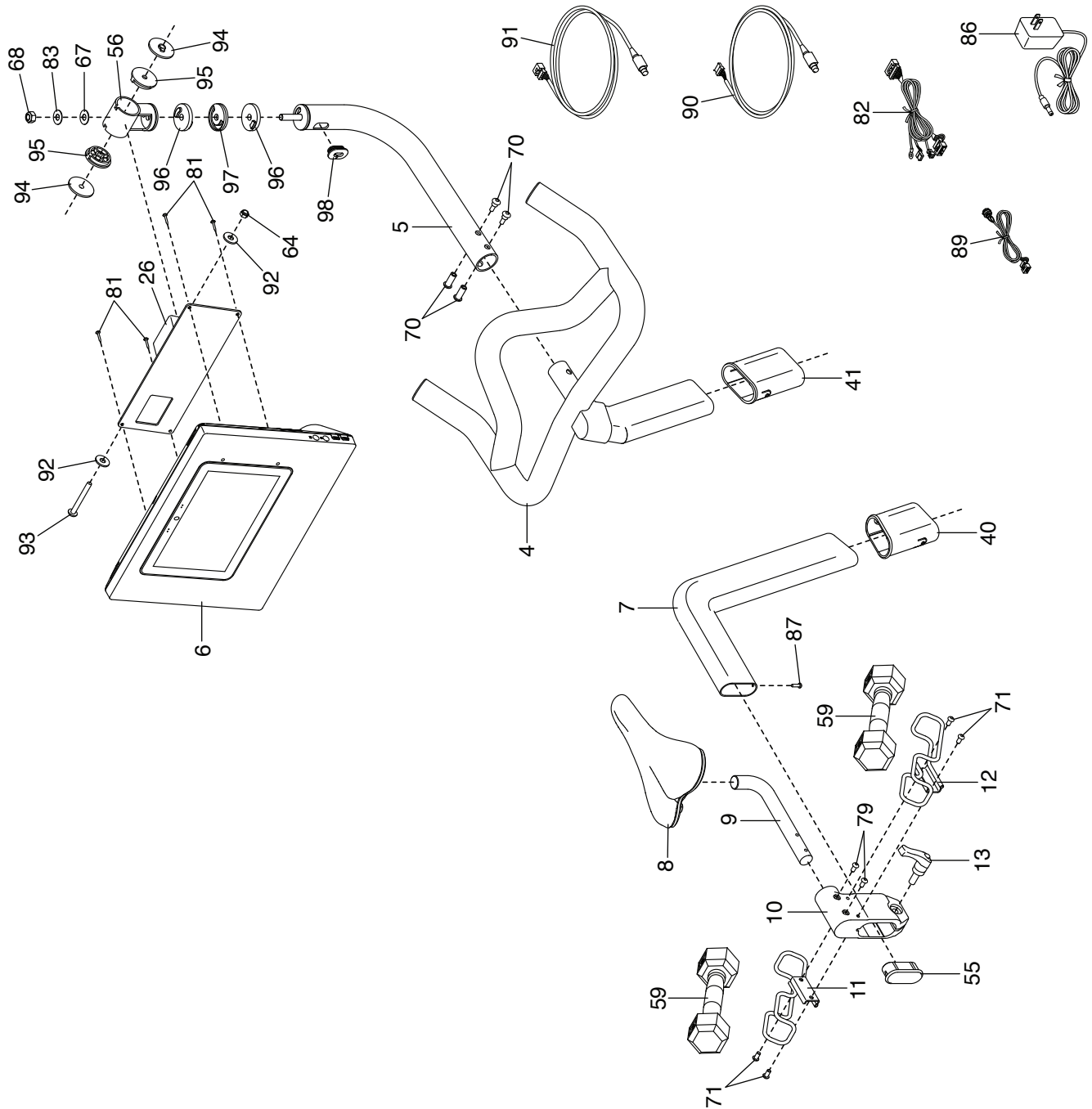


EXPLODED DRAWING A

Model No. 21920.0 R1218A



EXPLODED DRAWING B

Model No. 21920.0 R1218A

