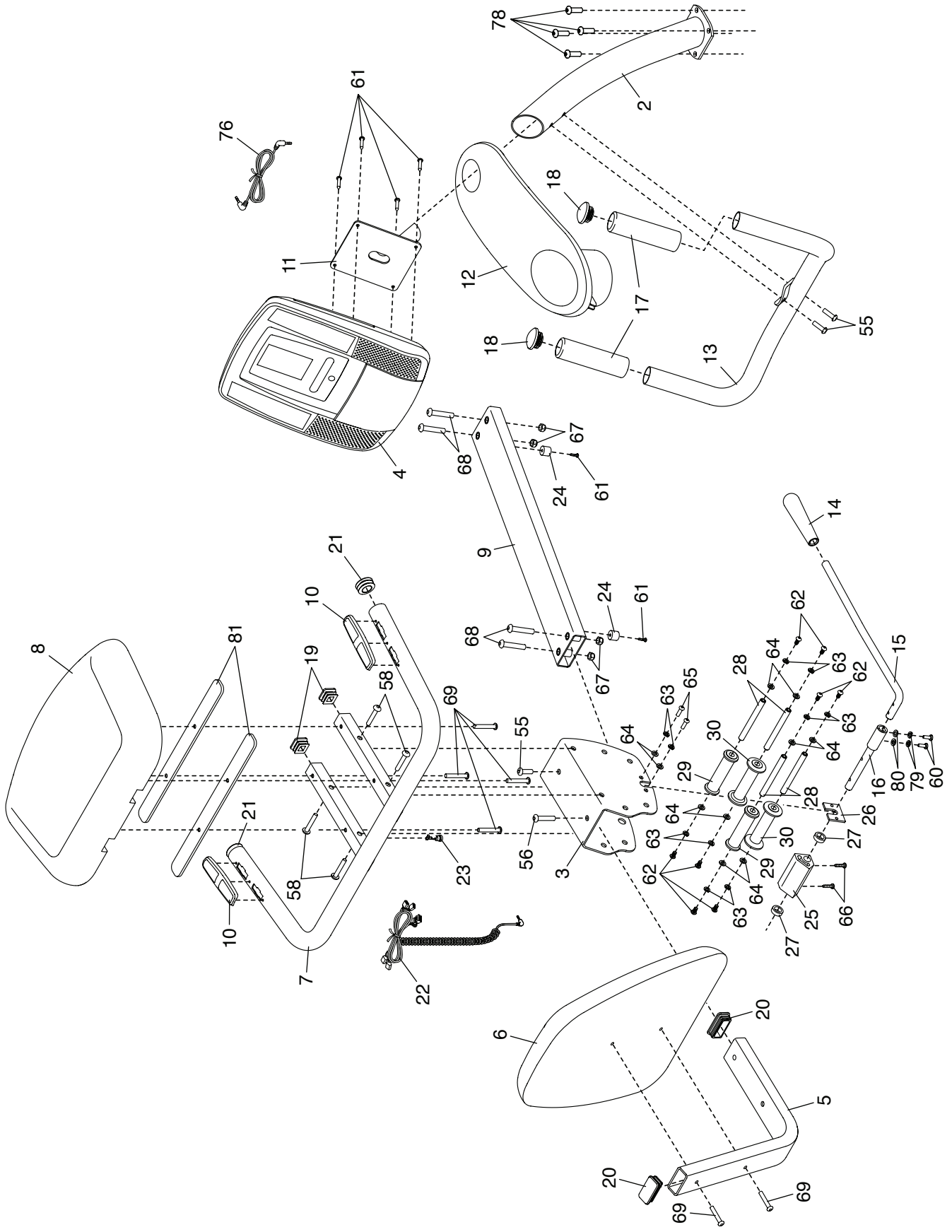


# EXPLODED DRAWING A

Model No. 831.21952.8 R0612A



# EXPLODED DRAWING B

Model No. 831.21952.8 R0612A

