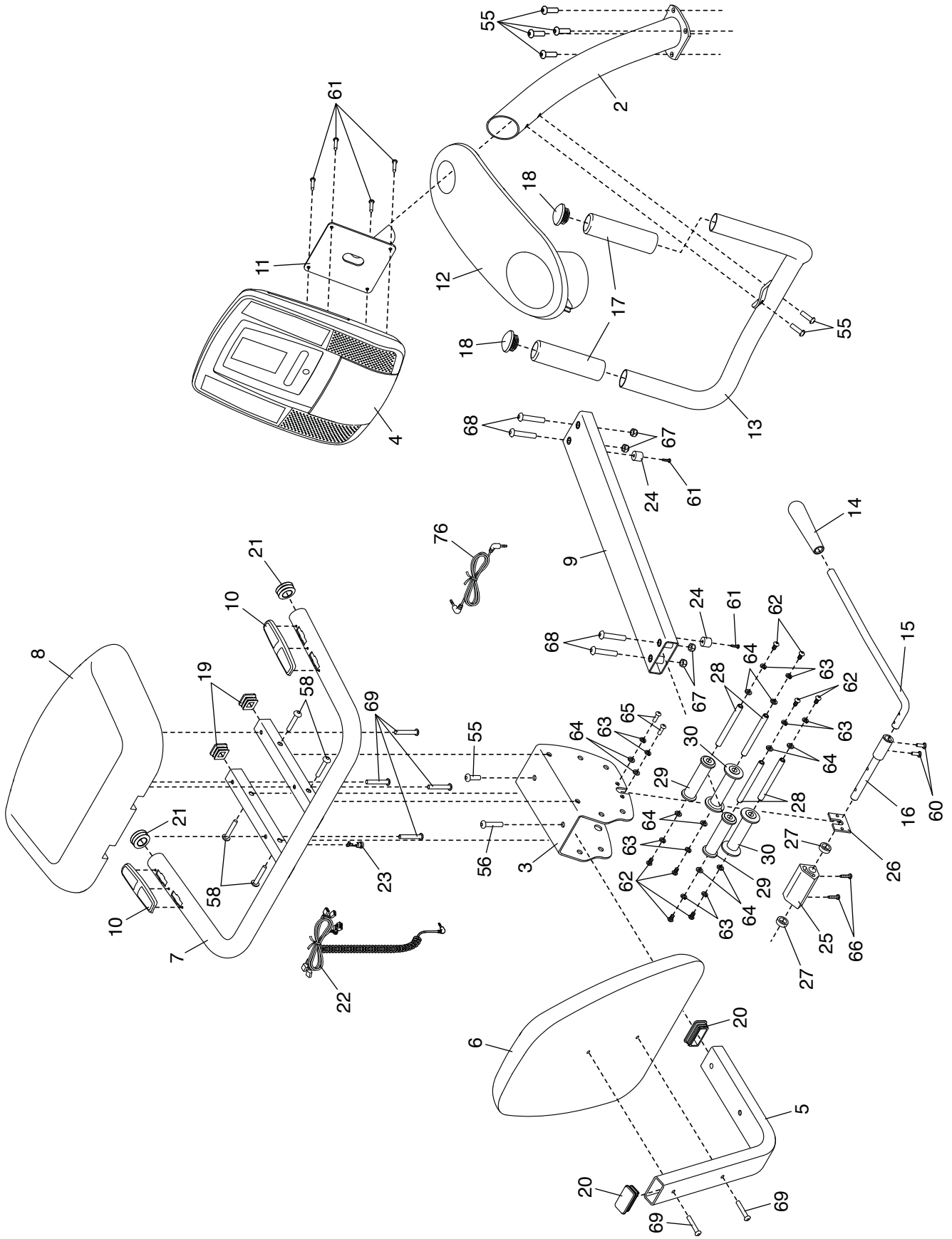


# EXPLODED DRAWING A

Model No. 831.21952.3 R0911C



# EXPLODED DRAWING B

Model No. 831.21952.3 R0911C

