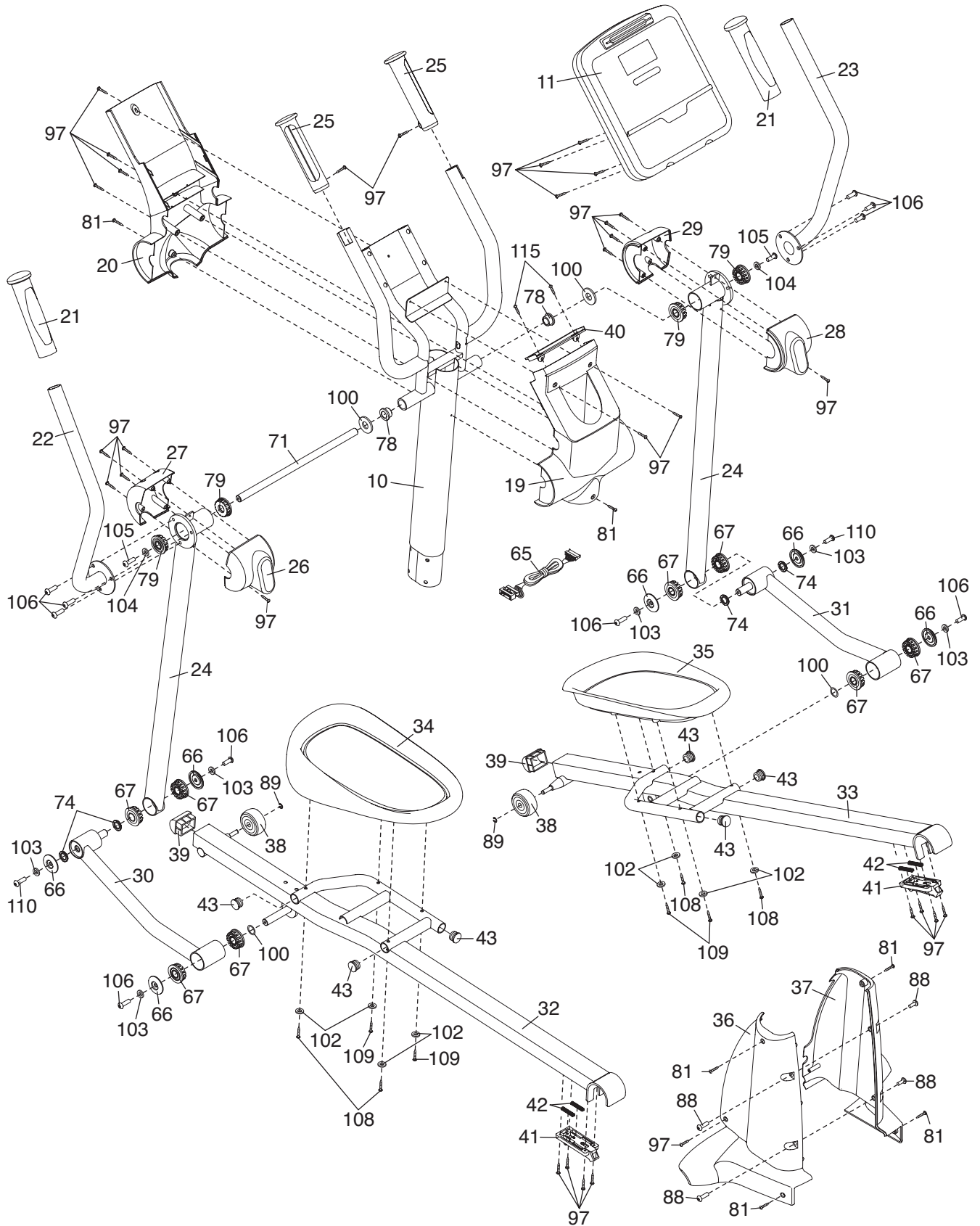


# EXPLODED DRAWING A—Model No. NTEL7706.1

R0307A



# EXPLODED DRAWING B—Model No. NTEL7706.1

R0307A

