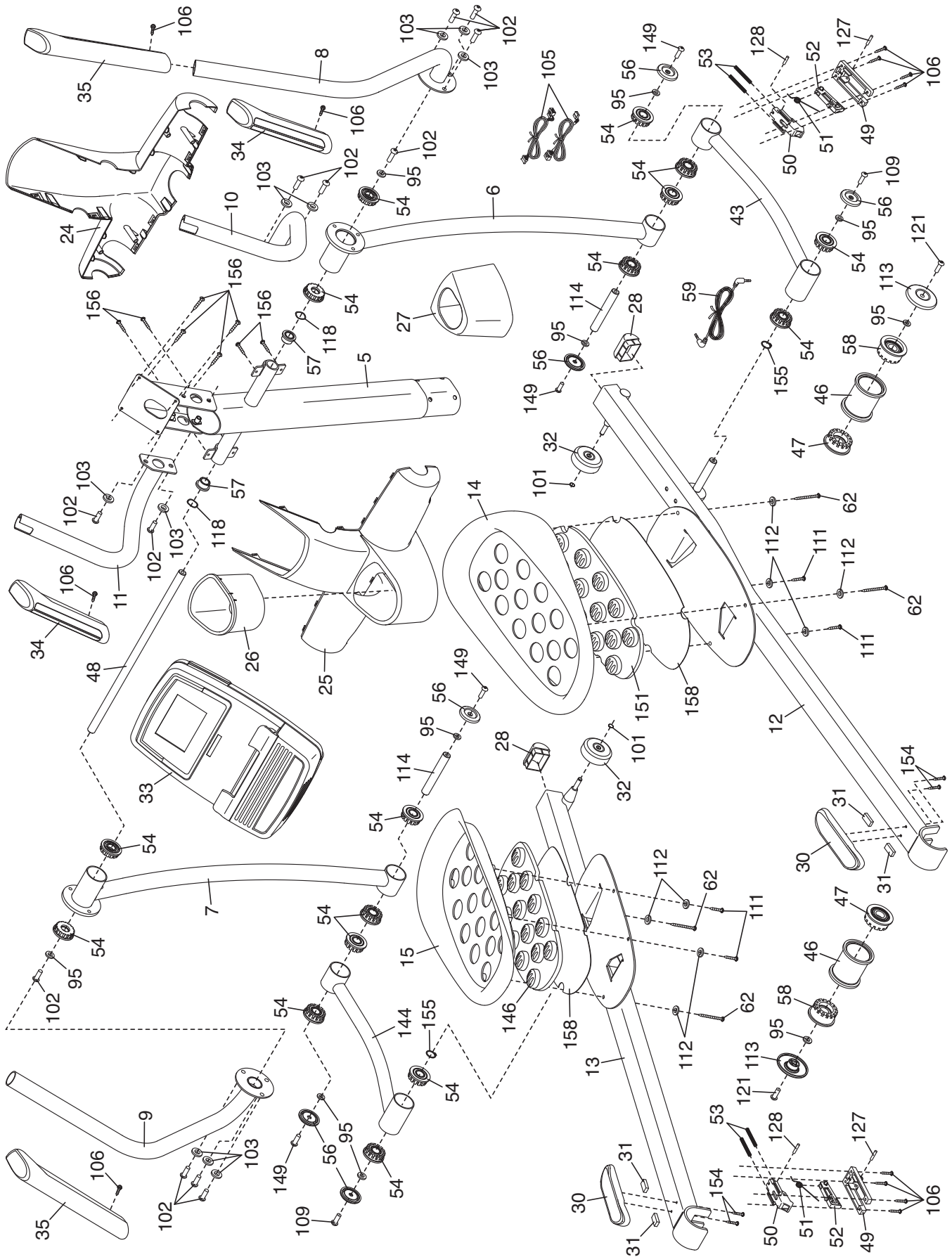


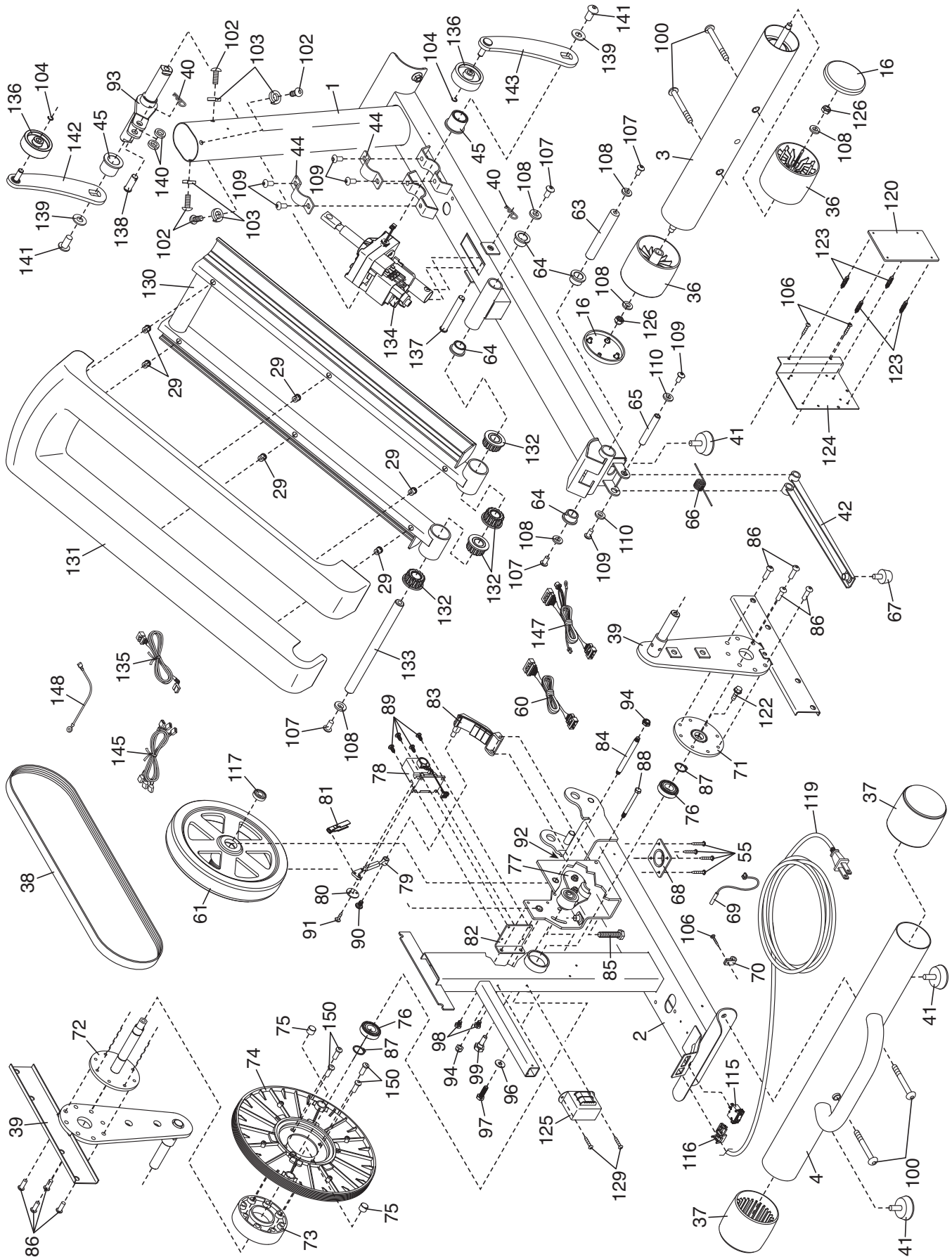
# EXPLODED DRAWING A—Model No. NTEL07910.0

R0810A



# EXPLODED DRAWING B – Model No. NTEL07910.0

R0810A



# EXPLODED DRAWING C—Model No. NTEL07910.0

R0810A

