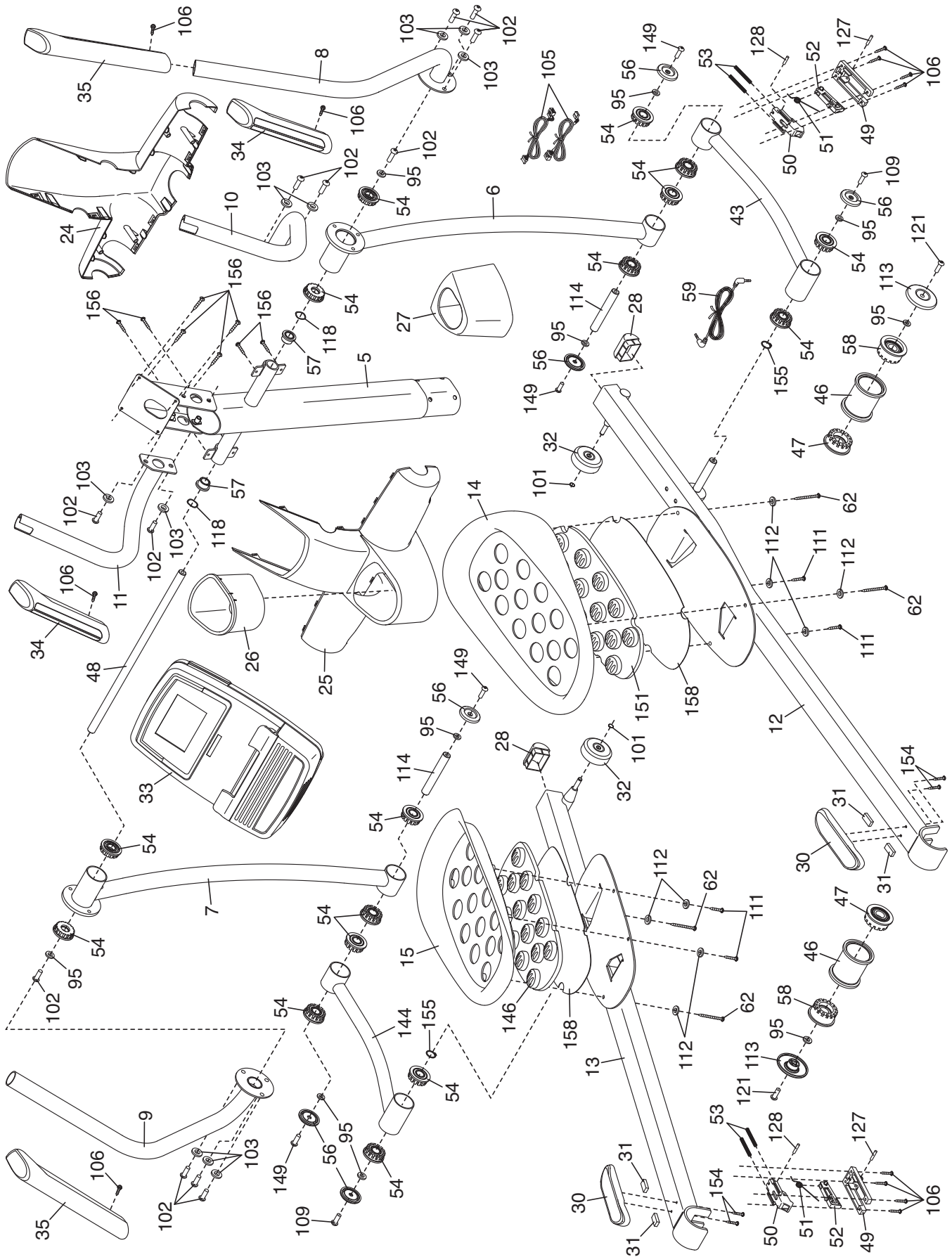


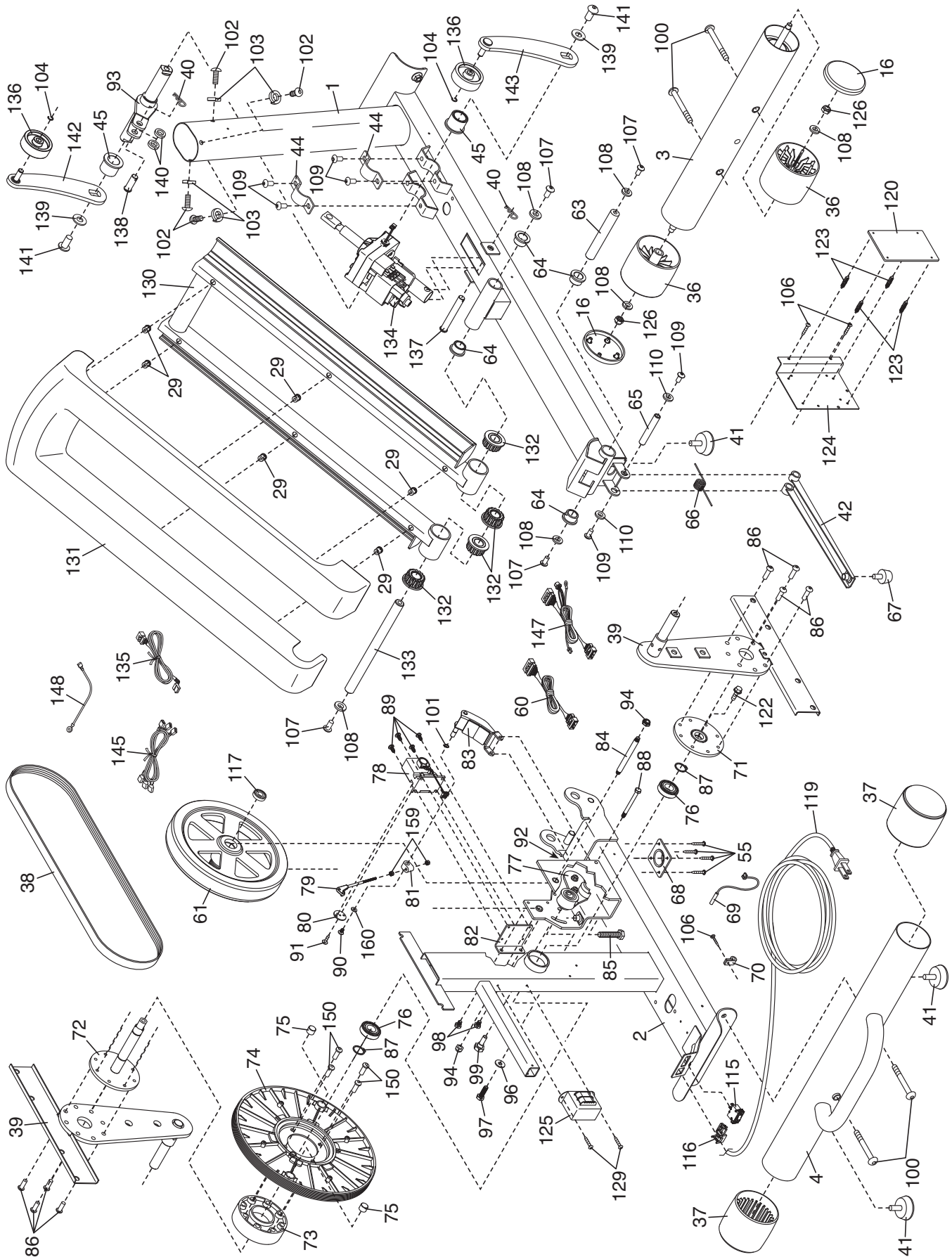
EXPLODED DRAWING A—Model No. NTEL07910.1

R1010A



EXPLODED DRAWING B – Model No. NTEL07910.1

R1010A



EXPLODED DRAWING C—Model No. NTEL07910.1

R1010A

