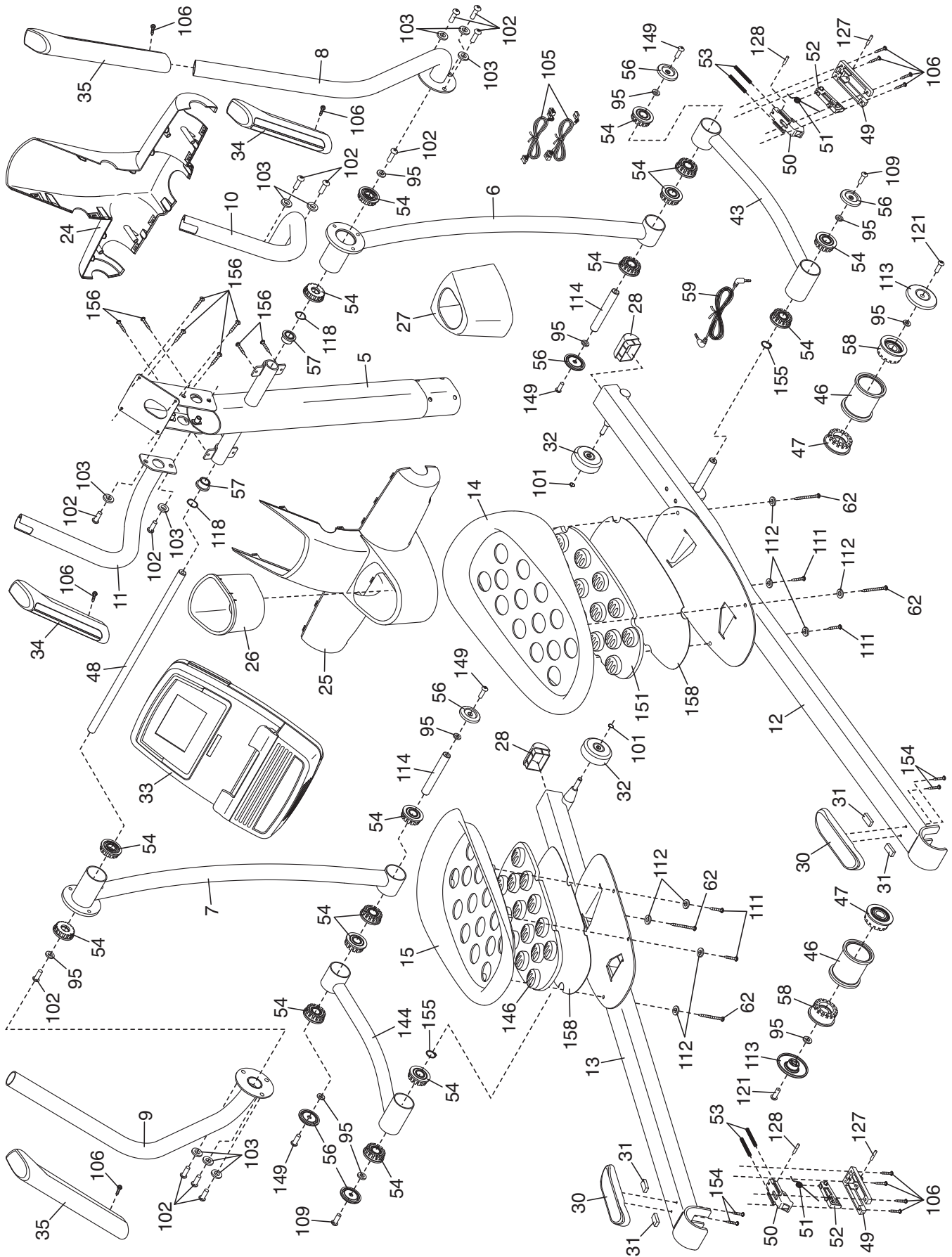


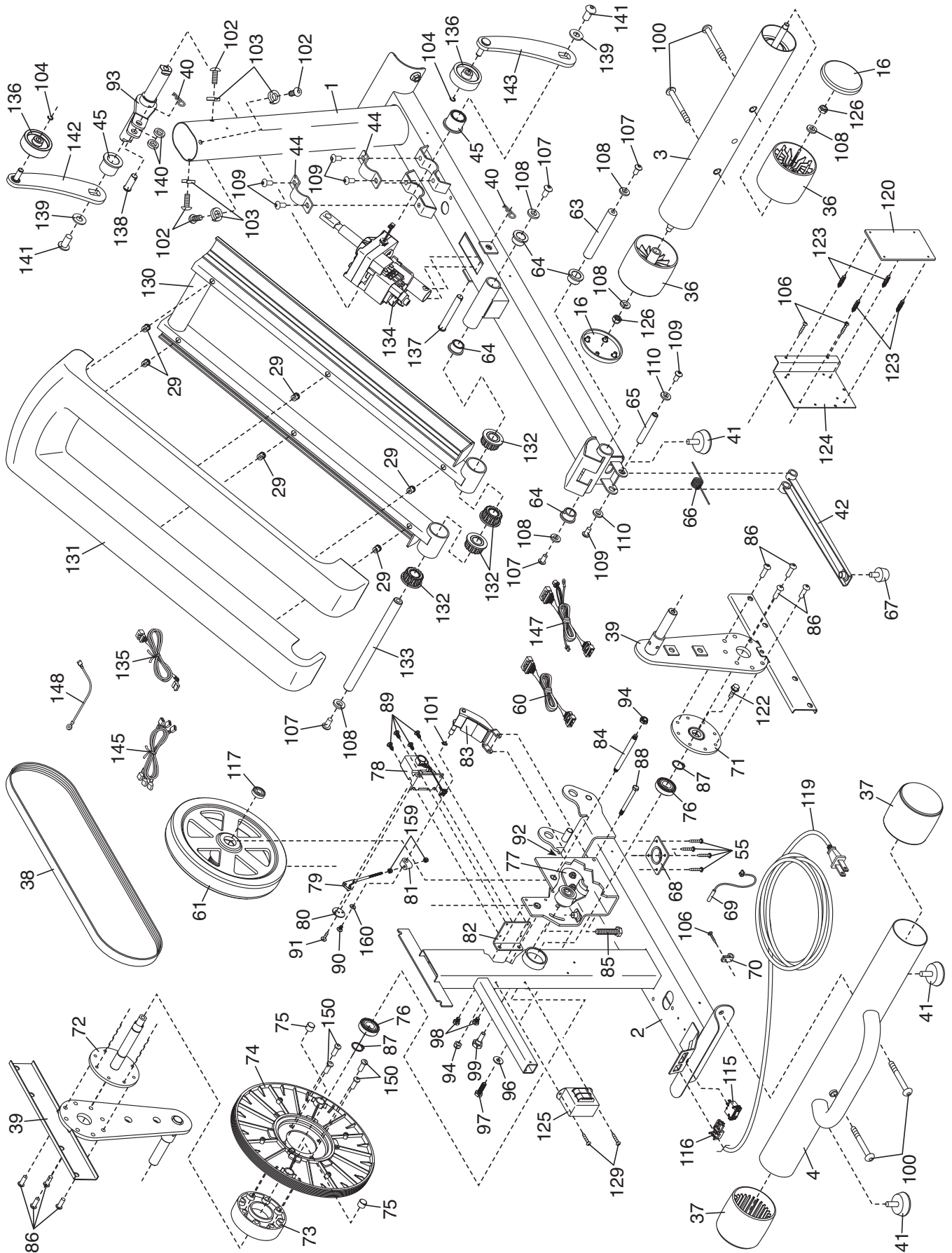
EXPLODED DRAWING A

Model No. NTEL07910.2 R0611A



EXPLODED DRAWING B

Model No. NTEL07910.2 R0611A



EXPLODED DRAWING C

Model No. NTEL07910.2 R0611A

