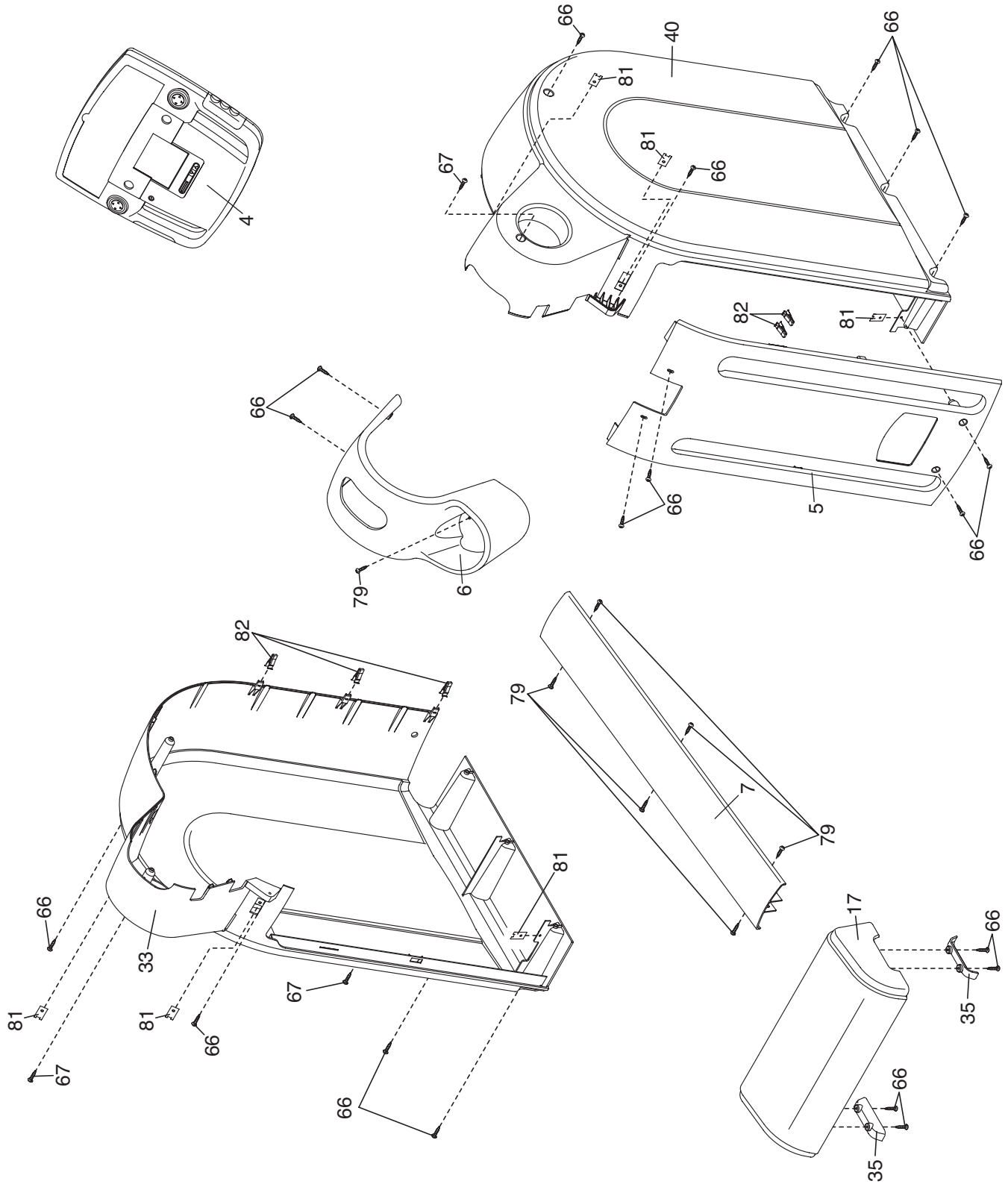


EXPLODED DRAWING A—Model No. NTEL00607.1

R0408A



EXPLODED DRAWING B—Model No. NTEL00607.1

R0408A

