

PART LIST—Model No. NTEL00907.0

R1007B

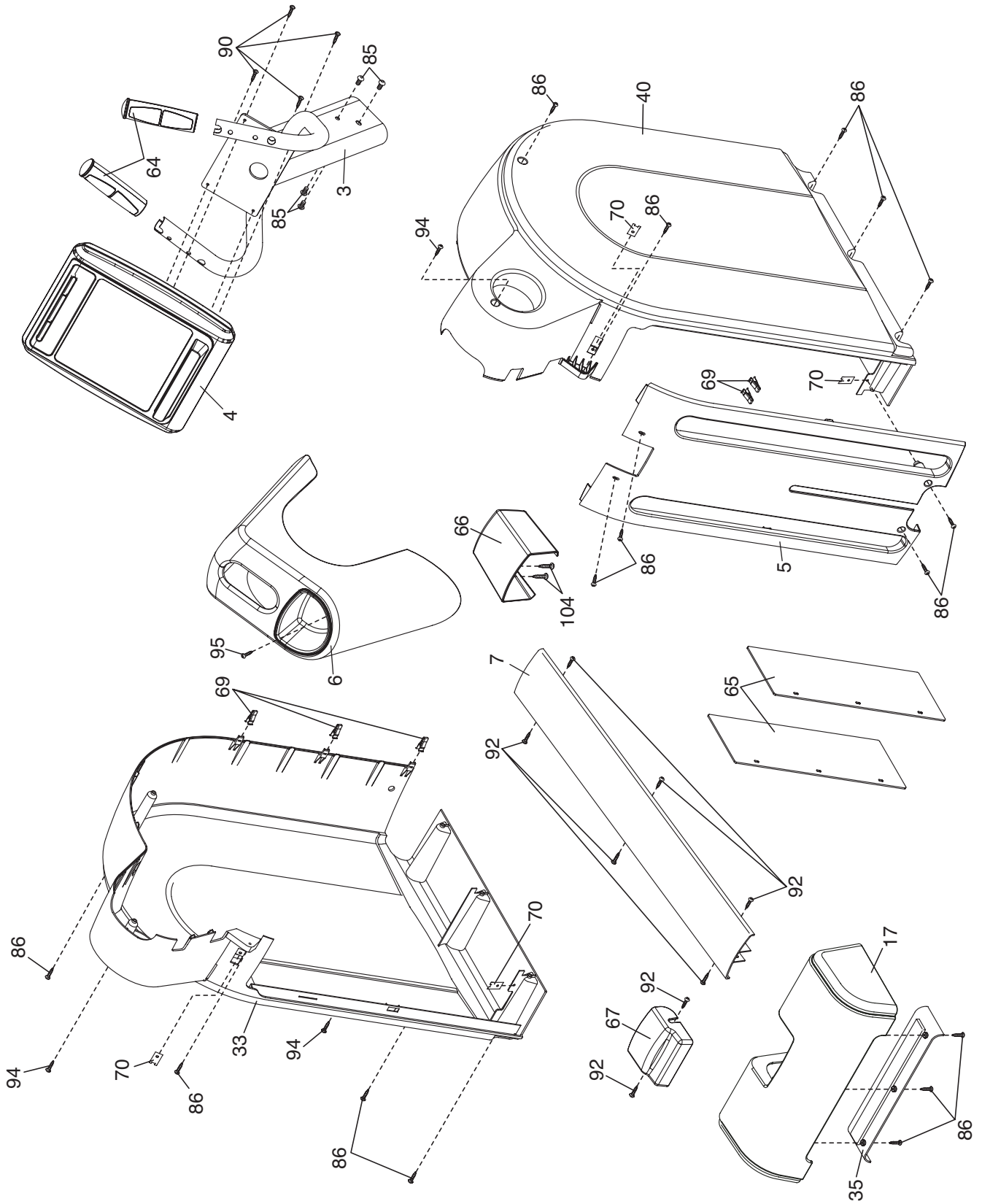
Key No.	Qty.	Description	Key No.	Qty.	Description
1	1	Frame	43	1	Belt
2	1	Rear Stabilizer	44	2	Control Grip
3	1	Upright	45	2	Link Arm Endcap
4	1	Console	46	1	Wire Harness
5	1	Shield Cover	47	1	Power Harness
6	1	Upright Cover	48	1	Left Pedal Bracket
7	1	Ramp Cover	49	1	Front Stabilizer
8	2	Wheel	50	2	Stabilizer Endcap
9	5	Leveling Foot	51	1	Transformer
10	1	Eddy Mechanism	52	1	Control Board
11	2	Pedal Leg Tube	53	1	Control Box
12	1	Idler	54	1	Control Box Cover
13	1	Pulley	55	1	Ramp
14	1	Crank	56	1	Lift Bracket
15	6	Crank Bearing	57	1	Lift Motor
16	1	Resistance Motor	58	1	Tube Brace
17	1	Rear Stabilizer Cover	59	1	Lift Axle
18	2	Magnet	60	1	Pivot Pin
19	10	Pivot Bushing	61	1	Hairpin
20	1	Clamp	62	2	Roller Spacer
21	1	Reed Switch/Wire	63	1	Ramp Axle
22	1	Left Handlebar	64	2	Pulse Grip/Wire
23	1	Left Upper Body Arm	65	2	Cover Plate
24	1	Left Pedal Leg	66	1	Front Ramp Cover
25	2	Link Arm	67	1	Rear Ramp Cover
26	2	Pedal	68	1	Power Receptacle
27	4	Roller	69	5	Custom Clip
28	4	Weld Spacer	70	4	Hood Clip
29	2	Roller Axle	71	2	M6 x 9mm Patch Screw
30	2	Link Tube	72	2	M8 x 50mm Hex Screw
31	2	Crank Arm	73	2	Large Snap Ring
32	2	Key	74	4	#8 x 2" Screw
33	1	Left Side Shield	75	2	M6 x 14mm Flat Head Screw
34	2	Upper Body Endcap	76	2	Barrel Nut
35	1	Rear Handle Cover	77	2	M10 x 15mm Patch Screw
36	1	Right Handlebar	78	2	M10 x 120mm Patch Screw
37	1	Right Upper Body Arm	79	1	M10 x 50mm Button Screw
38	1	Right Pedal Leg	80	5	M8 Hex Nylon Locknut
39	1	Right Pedal Bracket	81	20	M6 x 12mm Patch Screw
40	1	Right Side Shield	82	2	M8 x 50mm Patch Screw
41	1	Pivot Axle	83	2	M8 x 16mm x 2mm Washer
42	1	Crank Arm Spacer	84	4	M10 x 58mm Bolt

Key No.	Qty.	Description	Key No.	Qty.	Description
85	4	M8 x 19mm Patch Screw	102	2	M10 x 89mm Hex Screw
86	16	#8 x .75" Screw	103	7	M10 Hex Nylon Locknut
87	1	Left Handlebar Wire	104	2	#8 x .313" Screw
88	1	Right Handlebar Wire	105	2	M8 Hex Nylon Locknut Cls10.9
89	2	Game Controller	106	1	M8 x 78mm Patch Screw
90	4	M4 x 16mm Screw	107	2	Pedal Insert
91	6	M4 x 10mm Screw	108	6	M6 x 18mm Patch Screw
92	14	#8 x .50" Screw	109	4	M6 Nylon Locknut
93	2	Small Snap Ring	110	1	Left Extension Wire
94	3	M4 x 16mm T Screw	111	1	Right Extension Wire
95	1	#8 x 1.75" Screw	112	2	Ground Wire
96	2	M8 Nylon Locknut	113	1	Lift Motor Wire
97	5	#8 x .50" Cupped Screw	114	1	Power Cord
98	6	M10 x 29mm x 2mm Washer	115	4	M8 x 55mm Patch Screw
99	4	Pedal Leg Bushing	*	–	Hex Key
100	2	M10 x 22mm x 1.5mm Washer	*	–	Grease Packet
101	6	M10 x 20mm Patch Screw	*	–	User's Manual

Note: Specifications are subject to change without notice. See the back cover of this manual for information about ordering replacement parts. *These parts are not illustrated.

EXPLODED DRAWING A—Model No. NTEL00907.0

R1007B



EXPLODED DRAWING B—Model No. NTEL00907.0

R1007B

