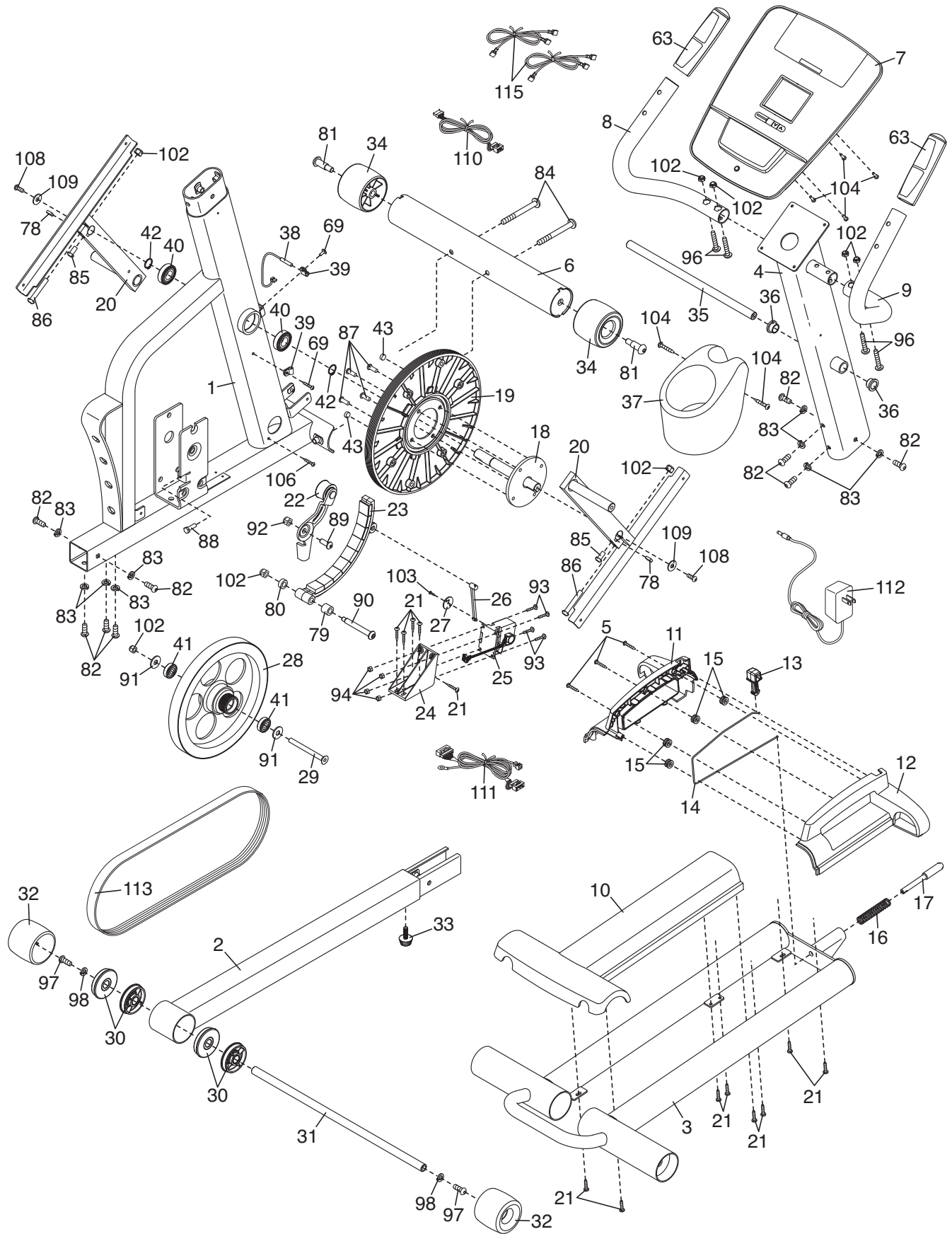


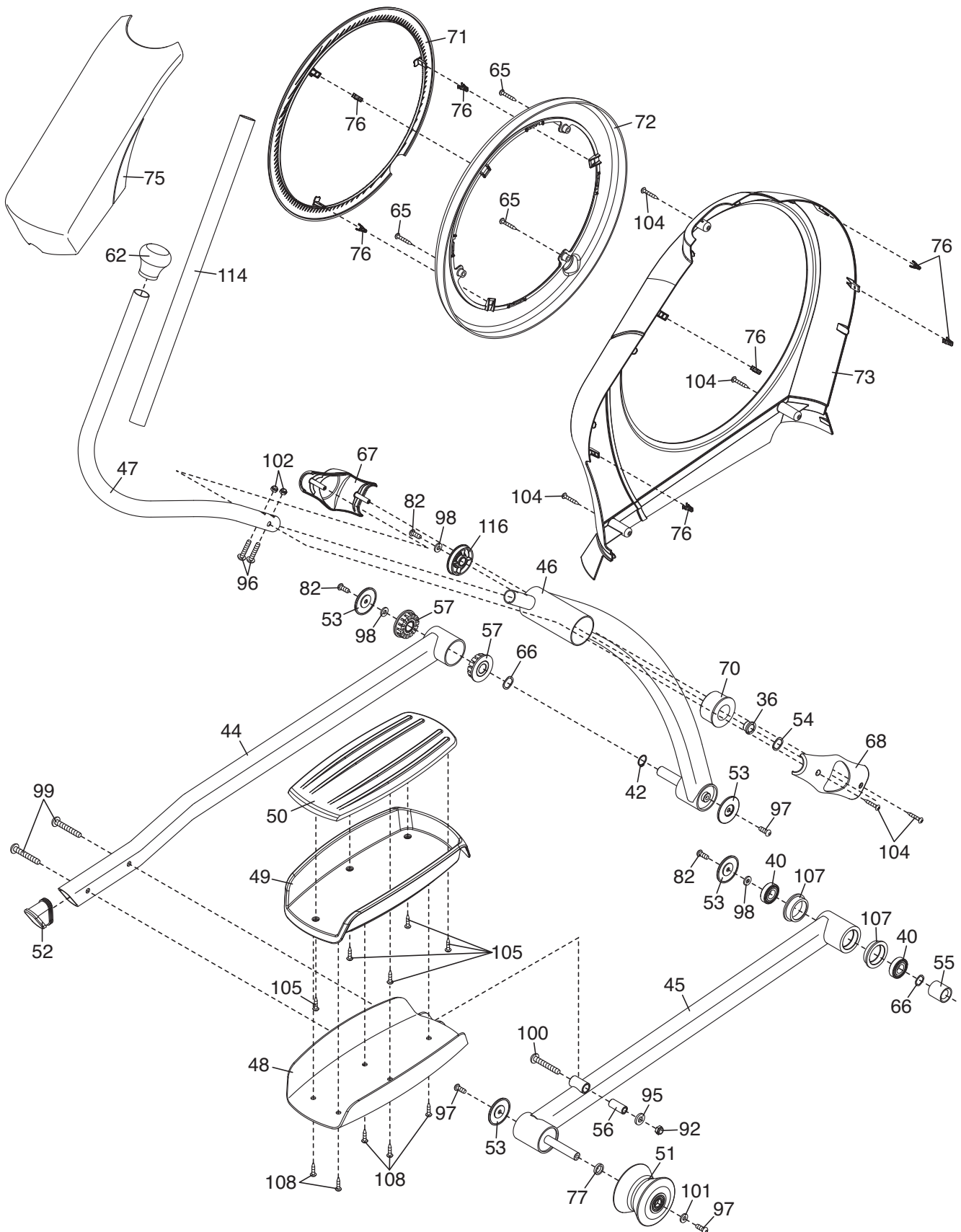
EXPLODED DRAWING A—Model No. NTEL07808.2

R0609A



EXPLODED DRAWING B—Model No. NTEL07808.2

R0609A



EXPLODED DRAWING C—Model No. NTEL07808.2

R0609A

