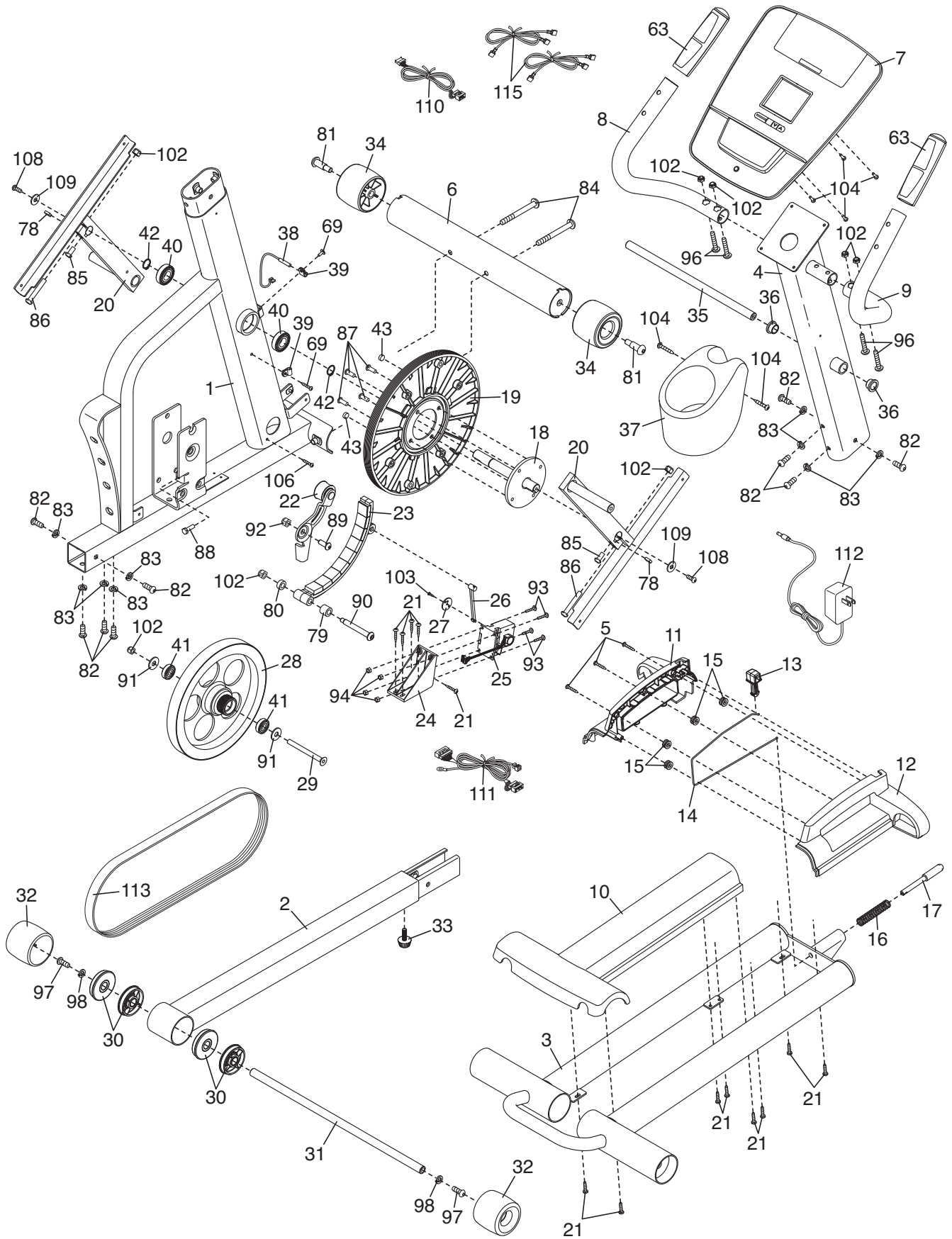


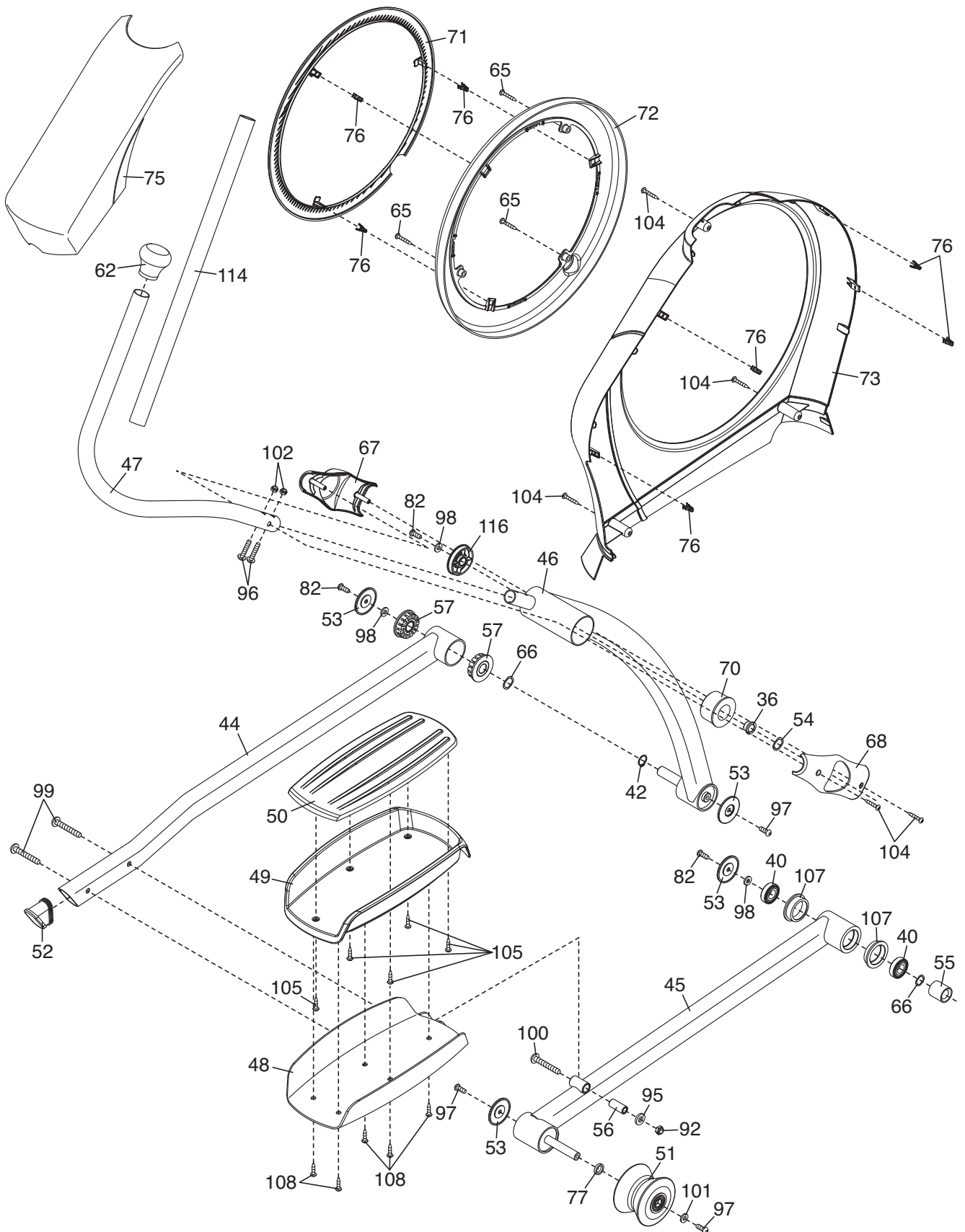
# EXPLODED DRAWING A

Model No. NTEL07808.4 R0111A



# EXPLODED DRAWING B

Model No. NTEL07808.4 R0111A



# EXPLODED DRAWING C

Model No. NTEL07808.4 R0111A

