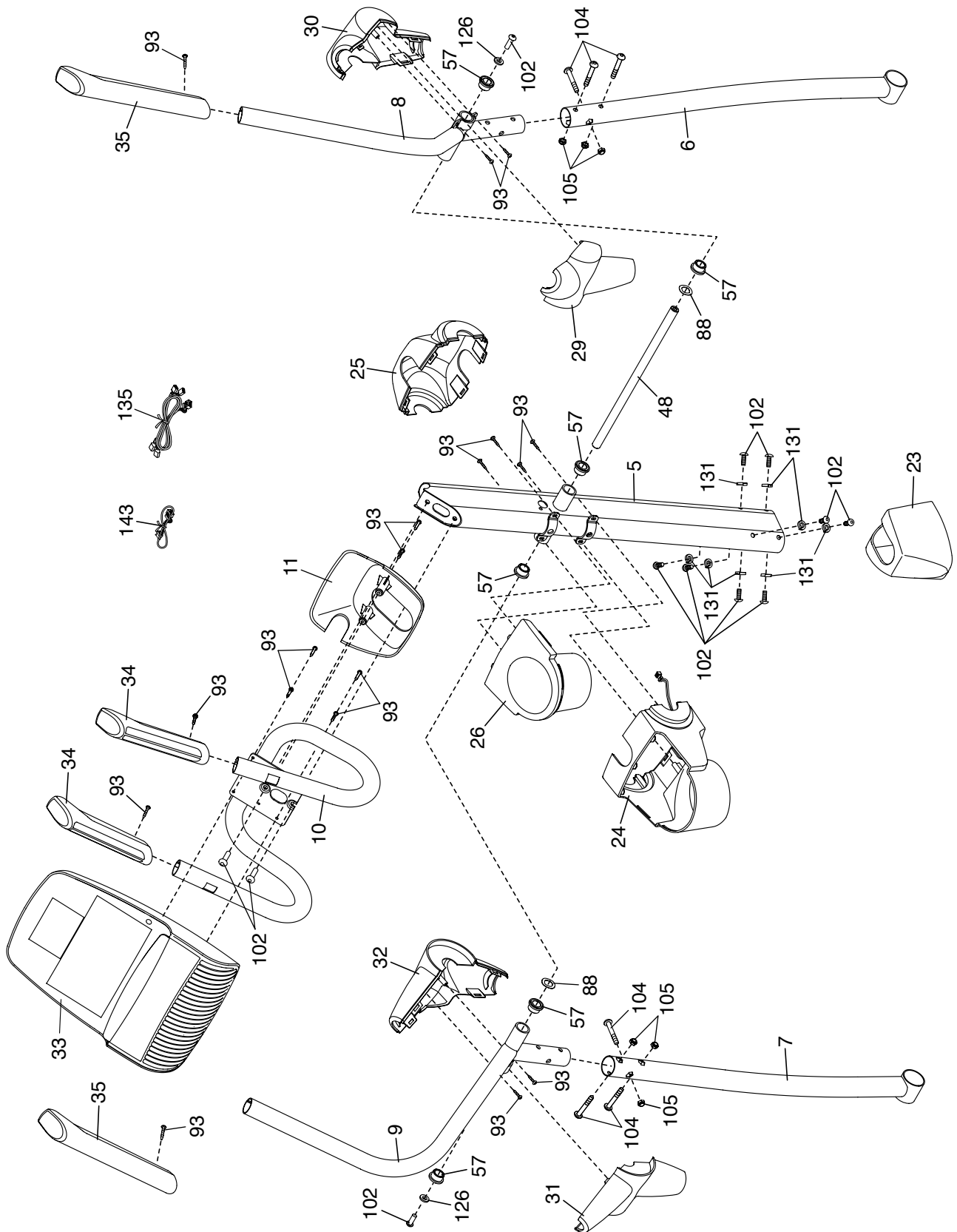


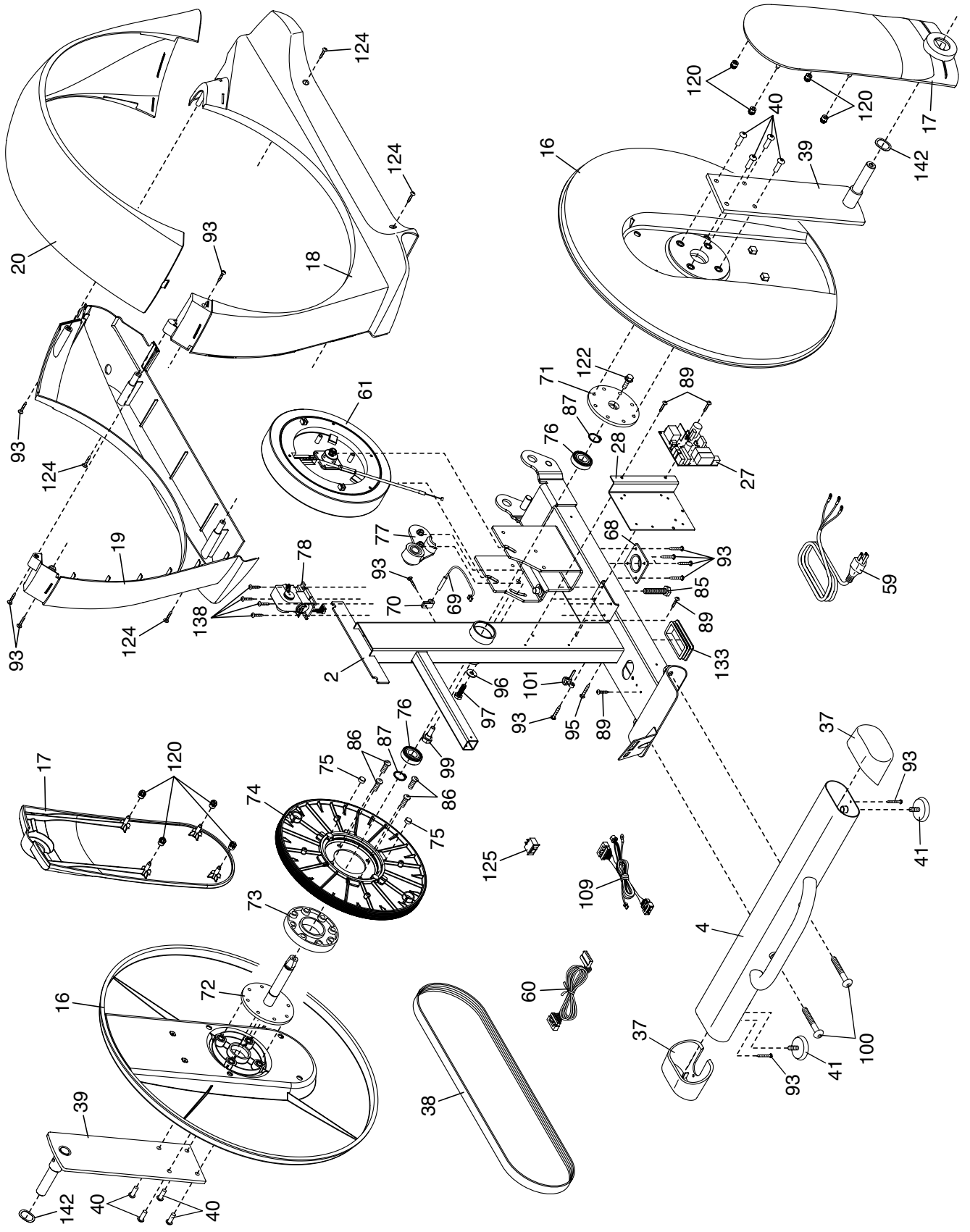
# EXPLODED DRAWING A

Model No. 831.23897.0 R1012B



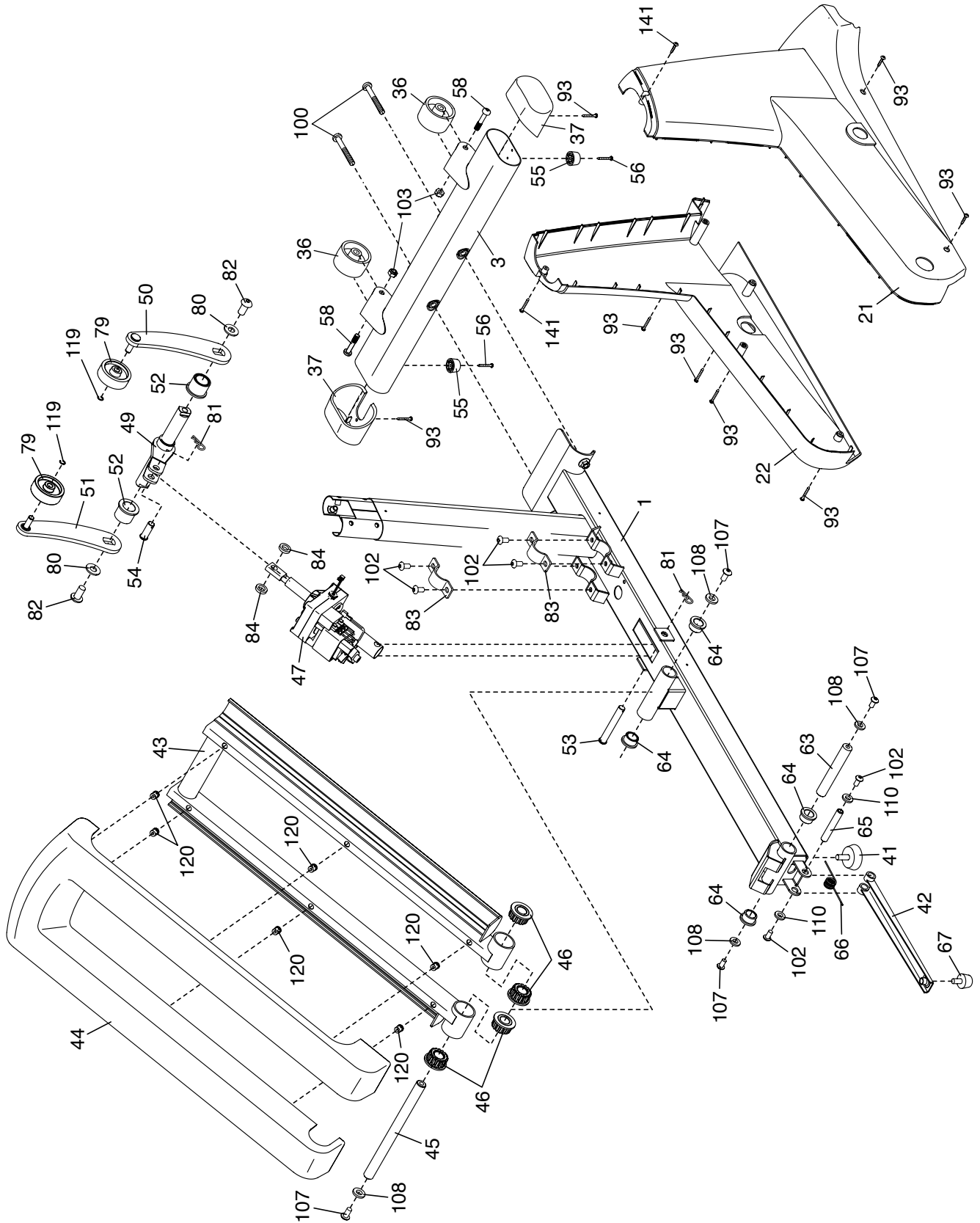
# EXPLODED DRAWING B

Model No. 831.23897.0 R1012B



# EXPLODED DRAWING C

Model No. 831.23897.0 R1012B



# EXPLODED DRAWING D

Model No. 831.23897.0 R1012B

