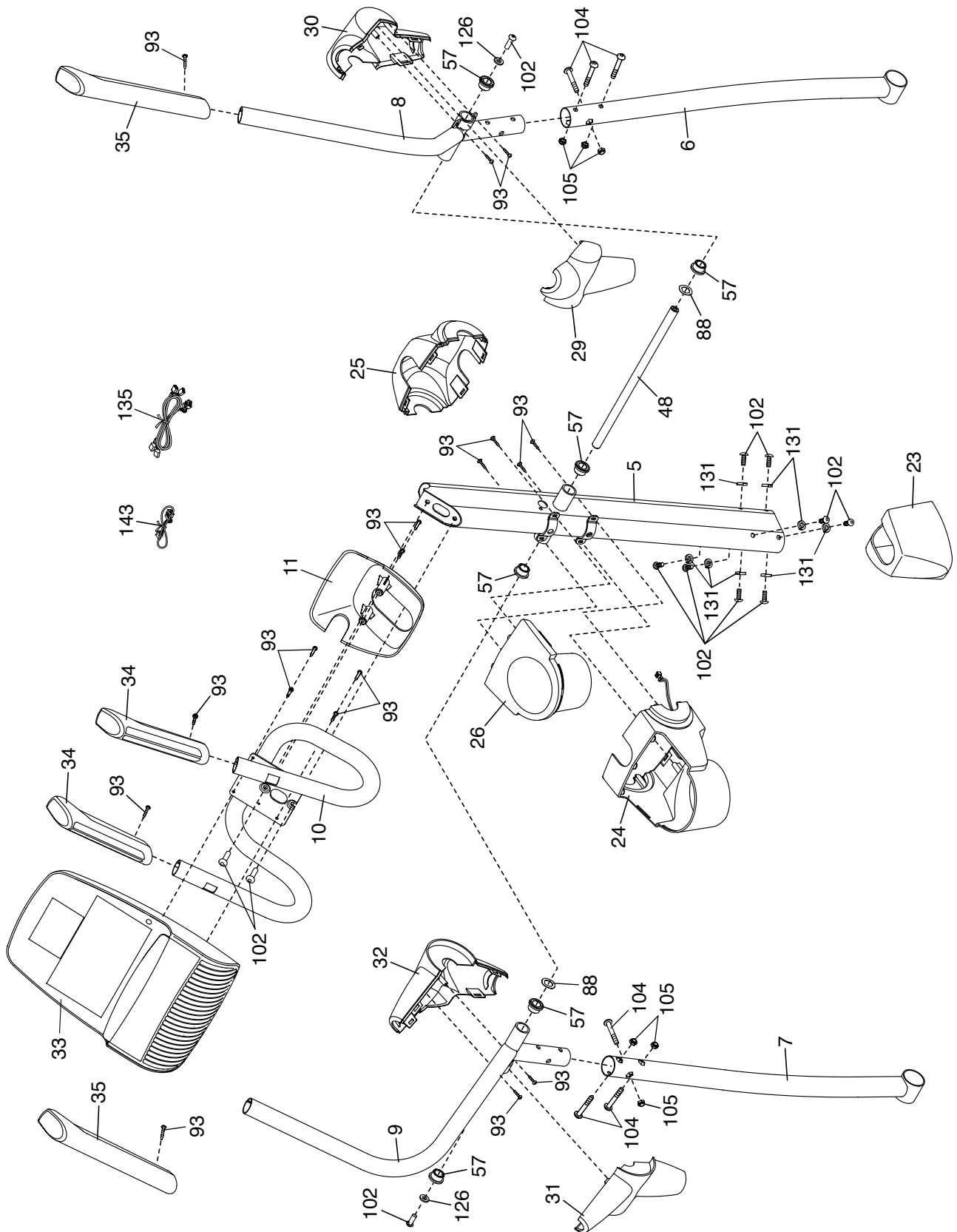


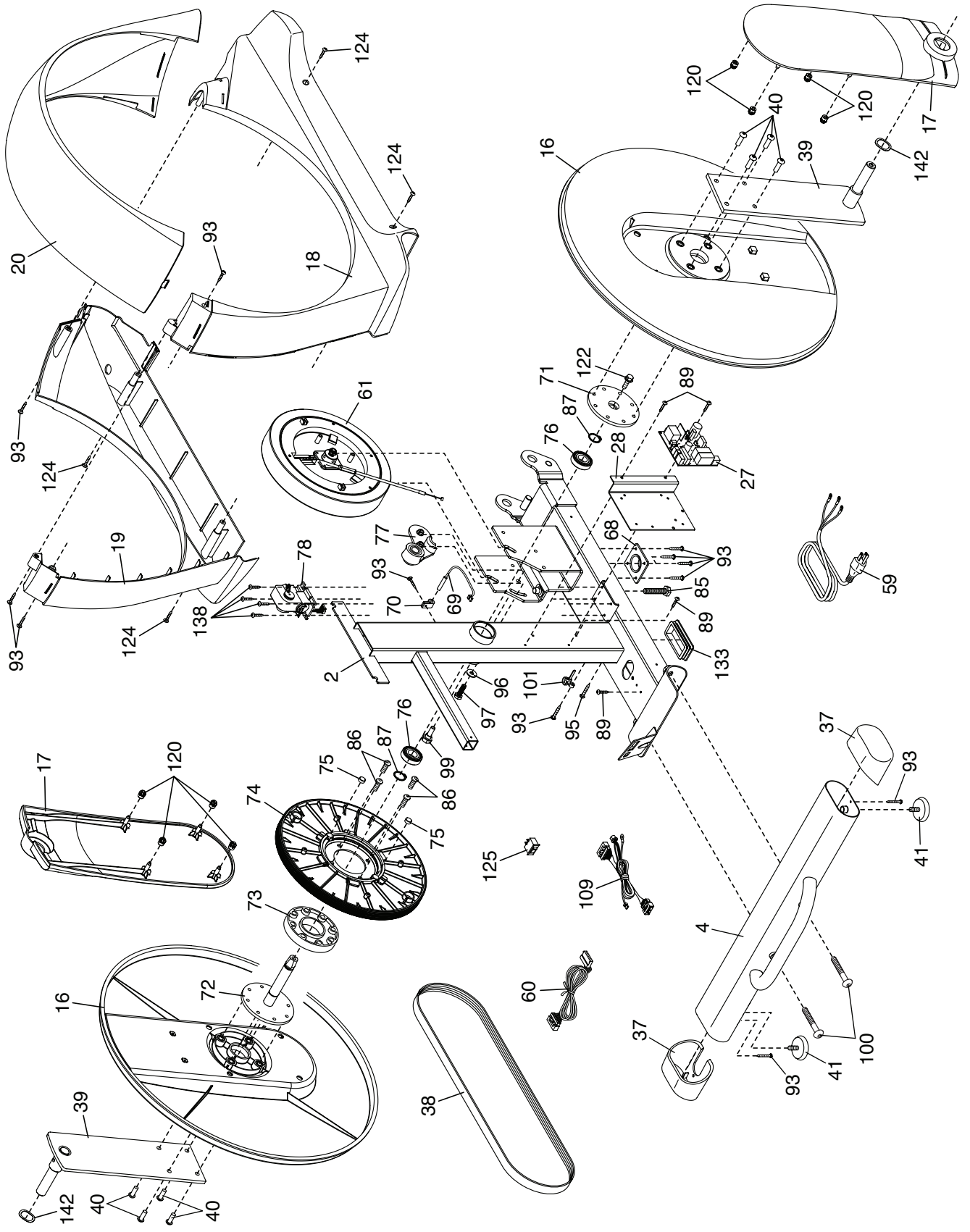
EXPLODED DRAWING A

Model No. 831.23897.1 R1112C



EXPLODED DRAWING B

Model No. 831.23897.1 R1112C



EXPLODED DRAWING D

Model No. 831.23897.1 R1112C

