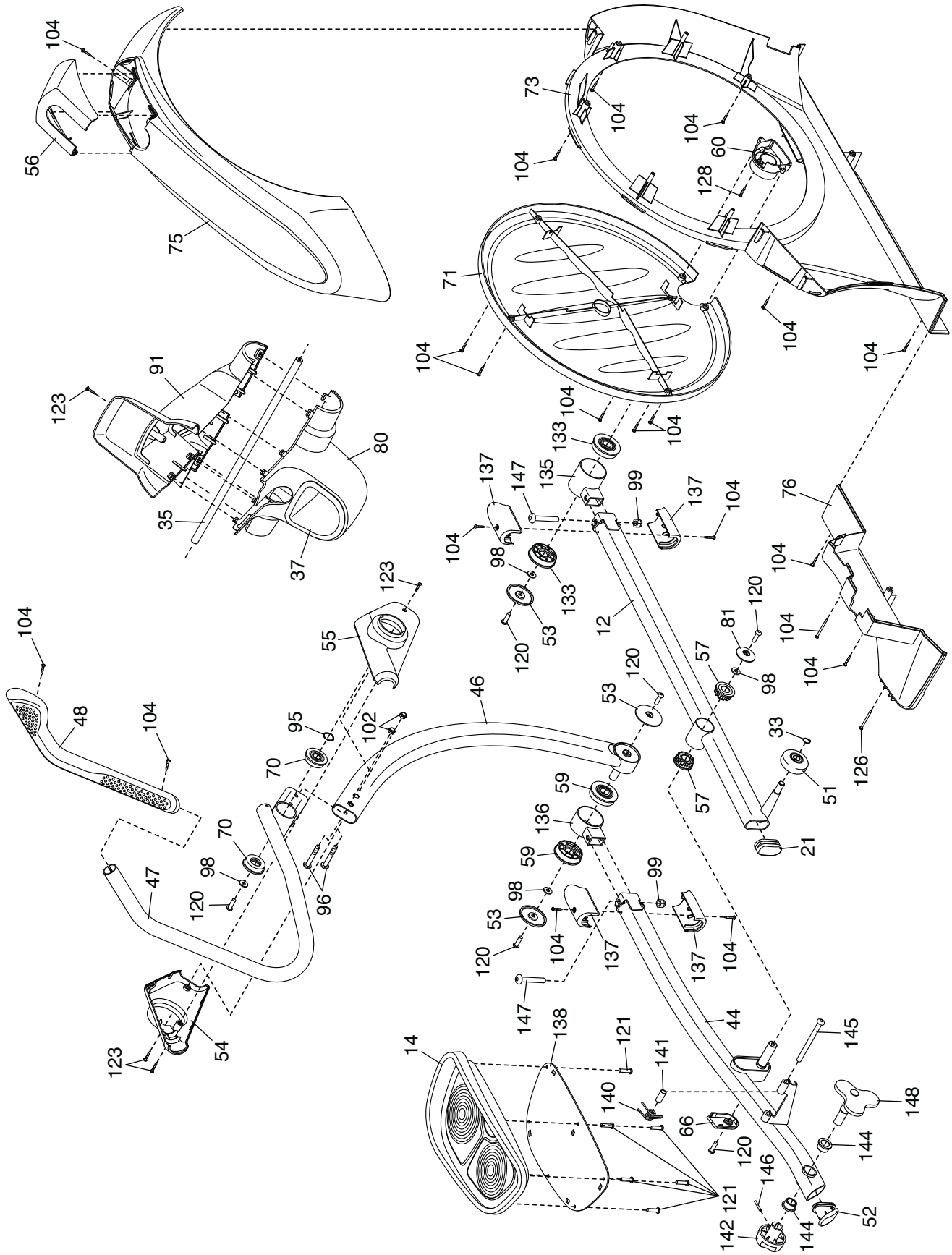


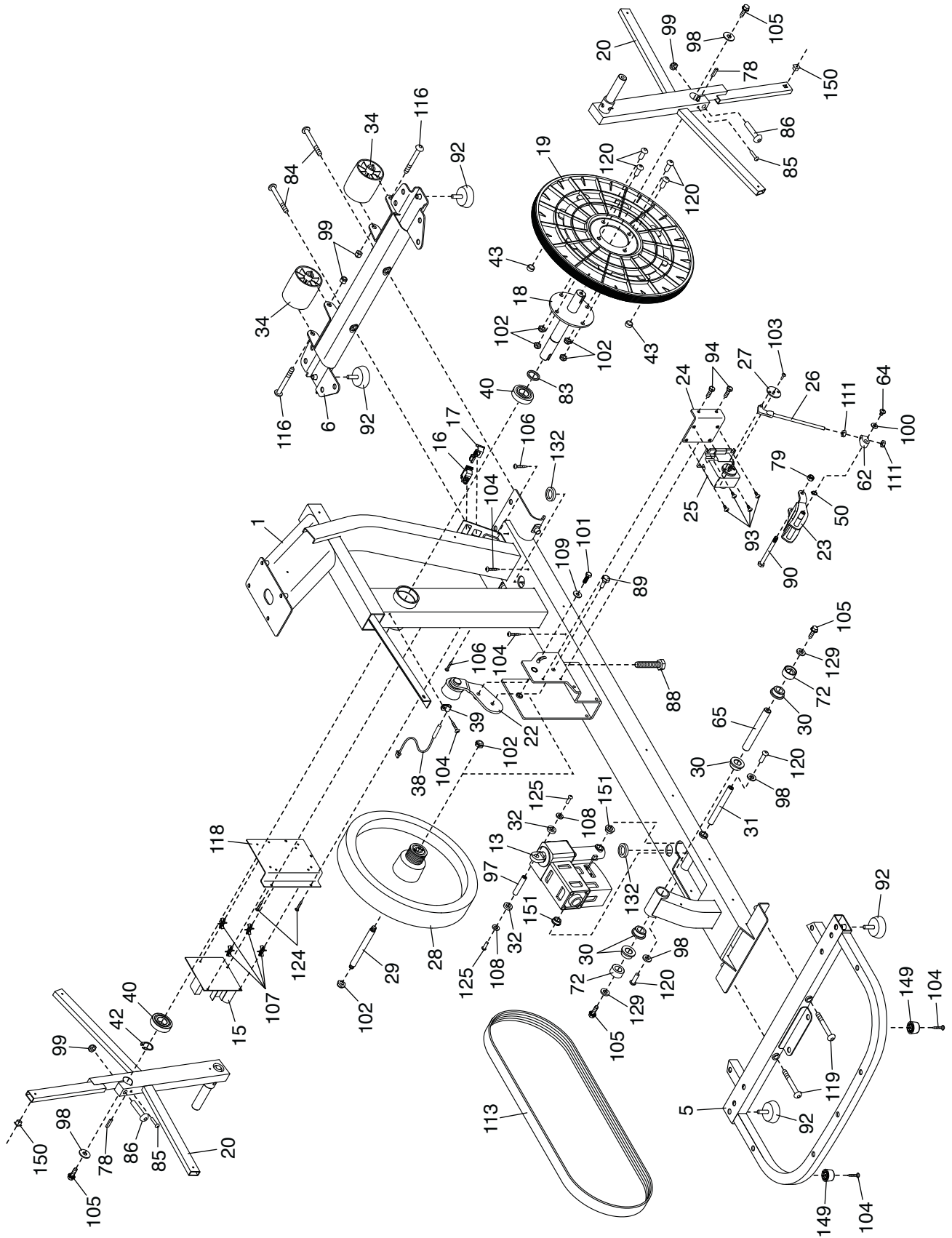
EXPLODED DRAWING A

Model No. NTEL01011.0 R0911C



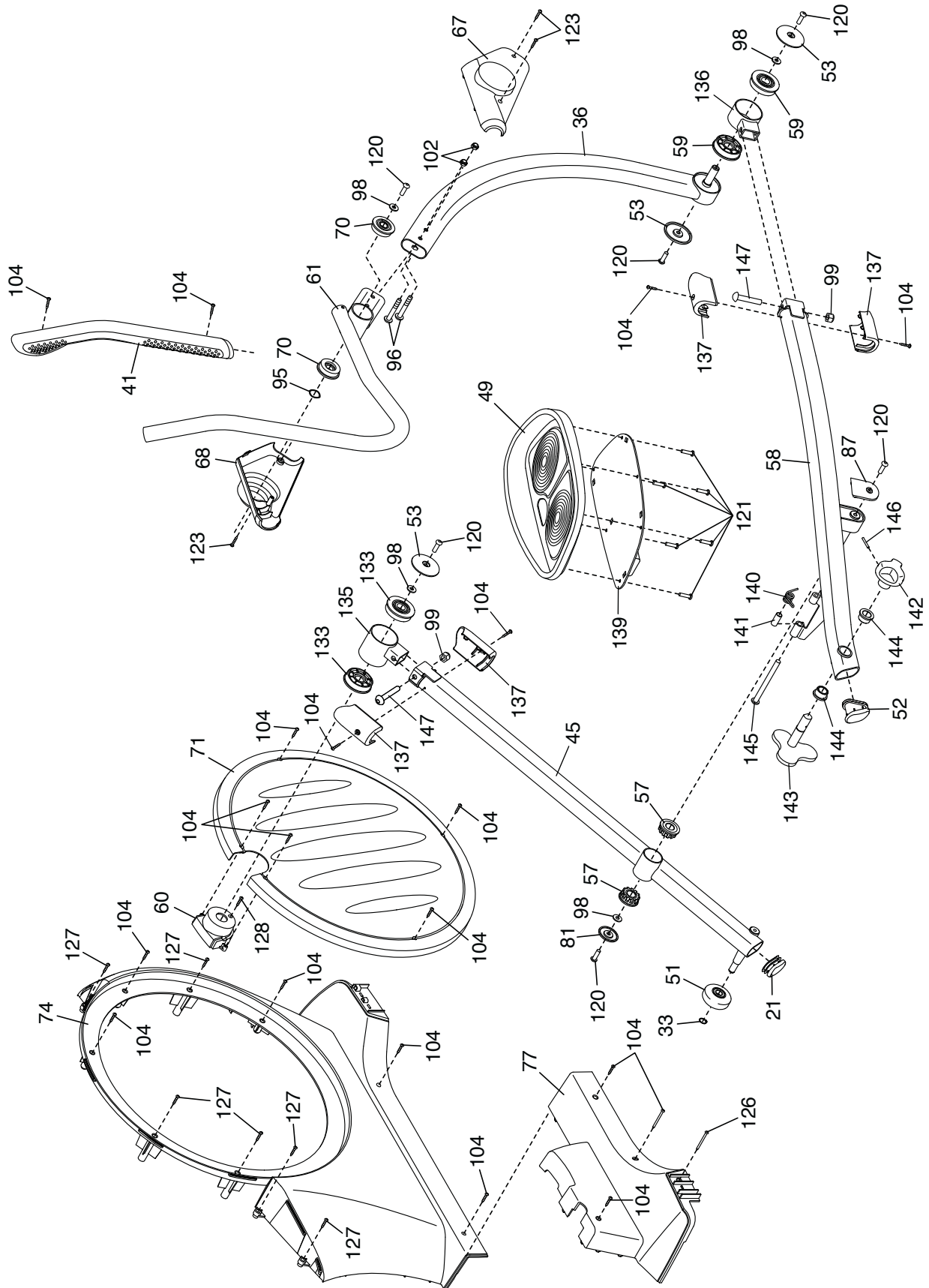
EXPLODED DRAWING B

Model No. NTEL01011.0 R0911C



EXPLODED DRAWING C

Model No. NTEL01011.0 R0911C



EXPLODED DRAWING D

Model No. NTEL01011.0 R0911C

