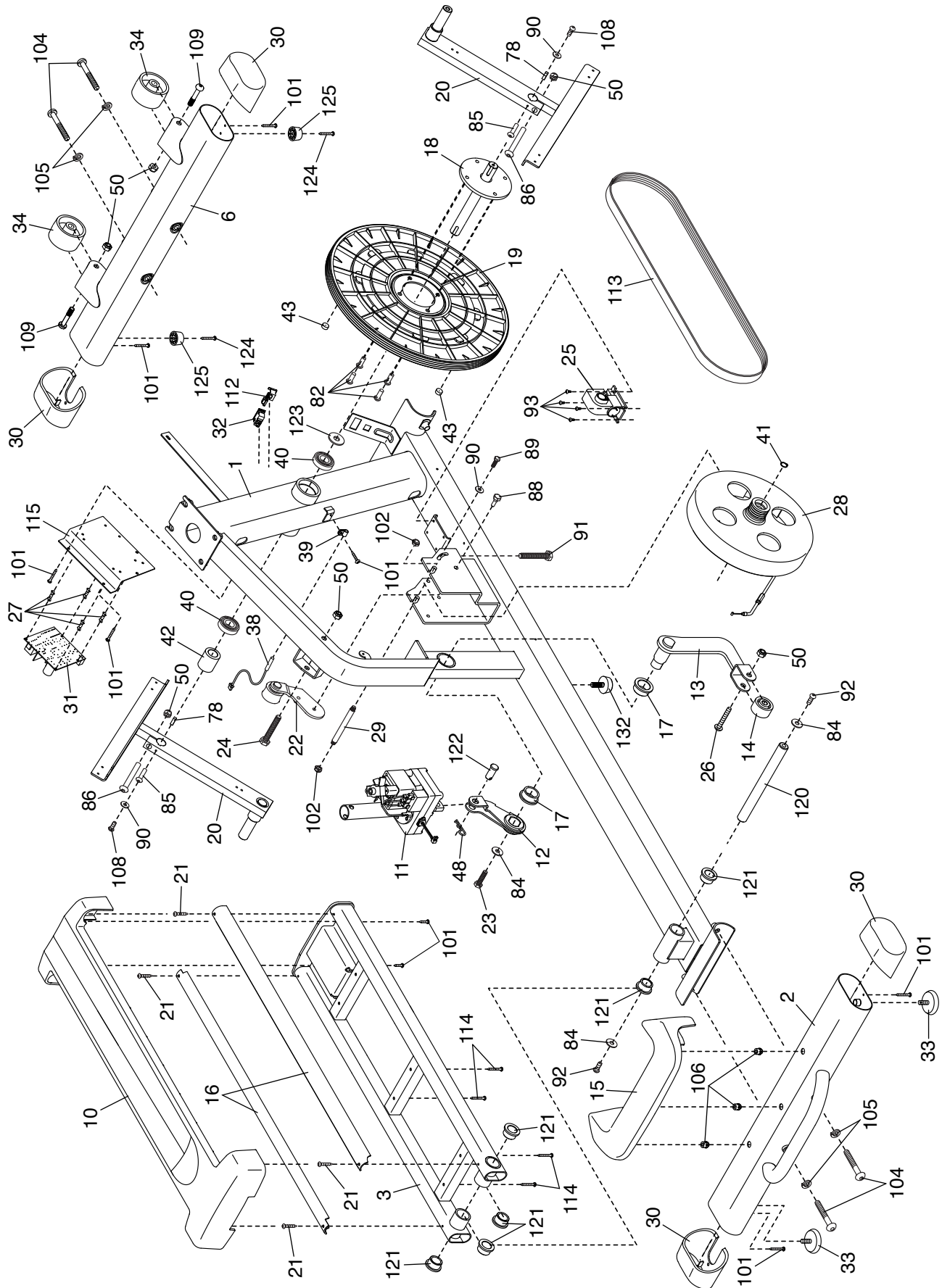


EXPLODED DRAWING A

Model No. 23909.3 R1017A



EXPLODED DRAWING C

Model No. 23909.3 R1017A

