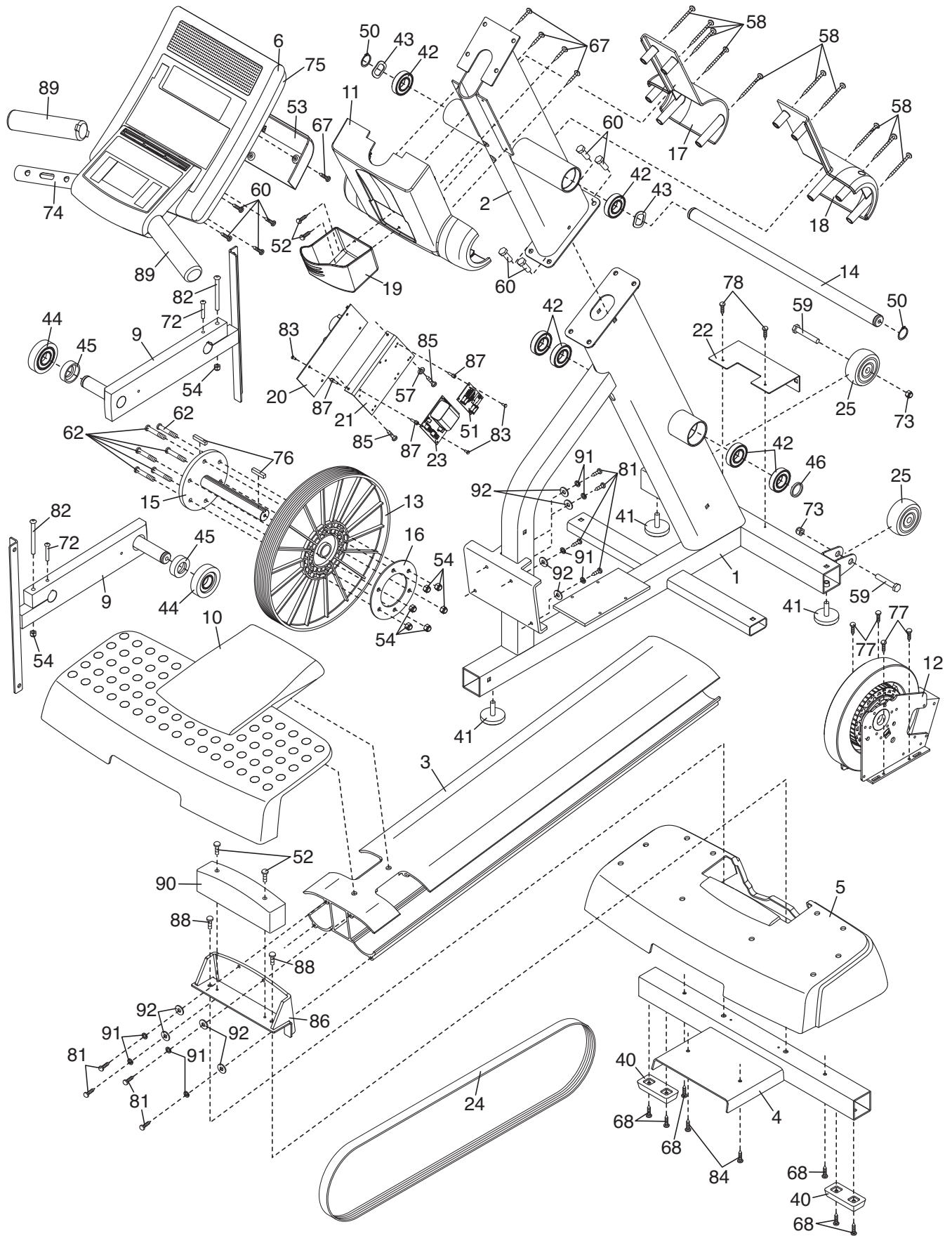


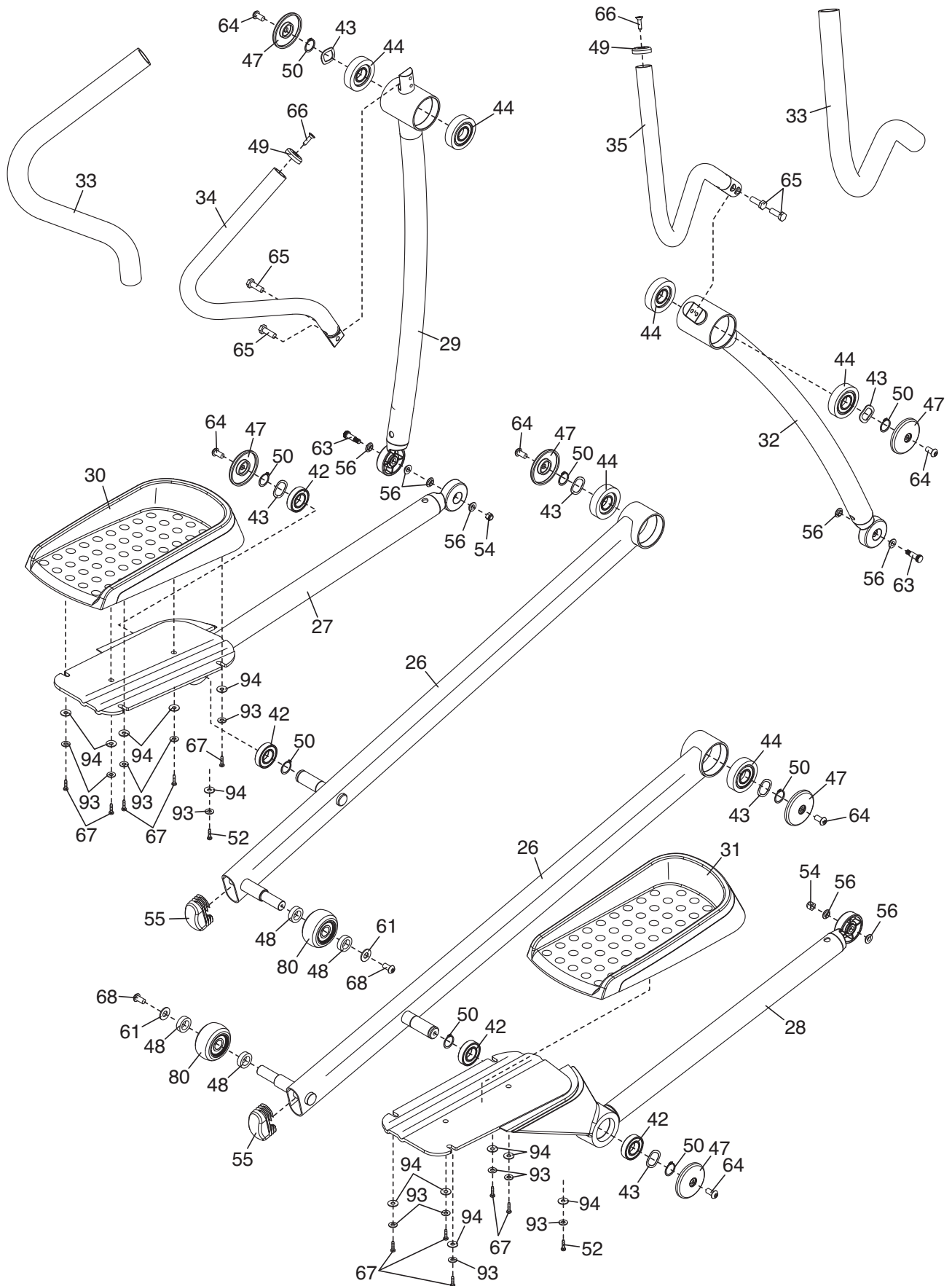
# EXPLODED DRAWING A—Model No. NTEL81507.0

R0109A



# EXPLODED DRAWING B—Model No. NTEL81507.0

R0109A



# EXPLODED DRAWING C—Model No. NTEL81507.0

R0109A

