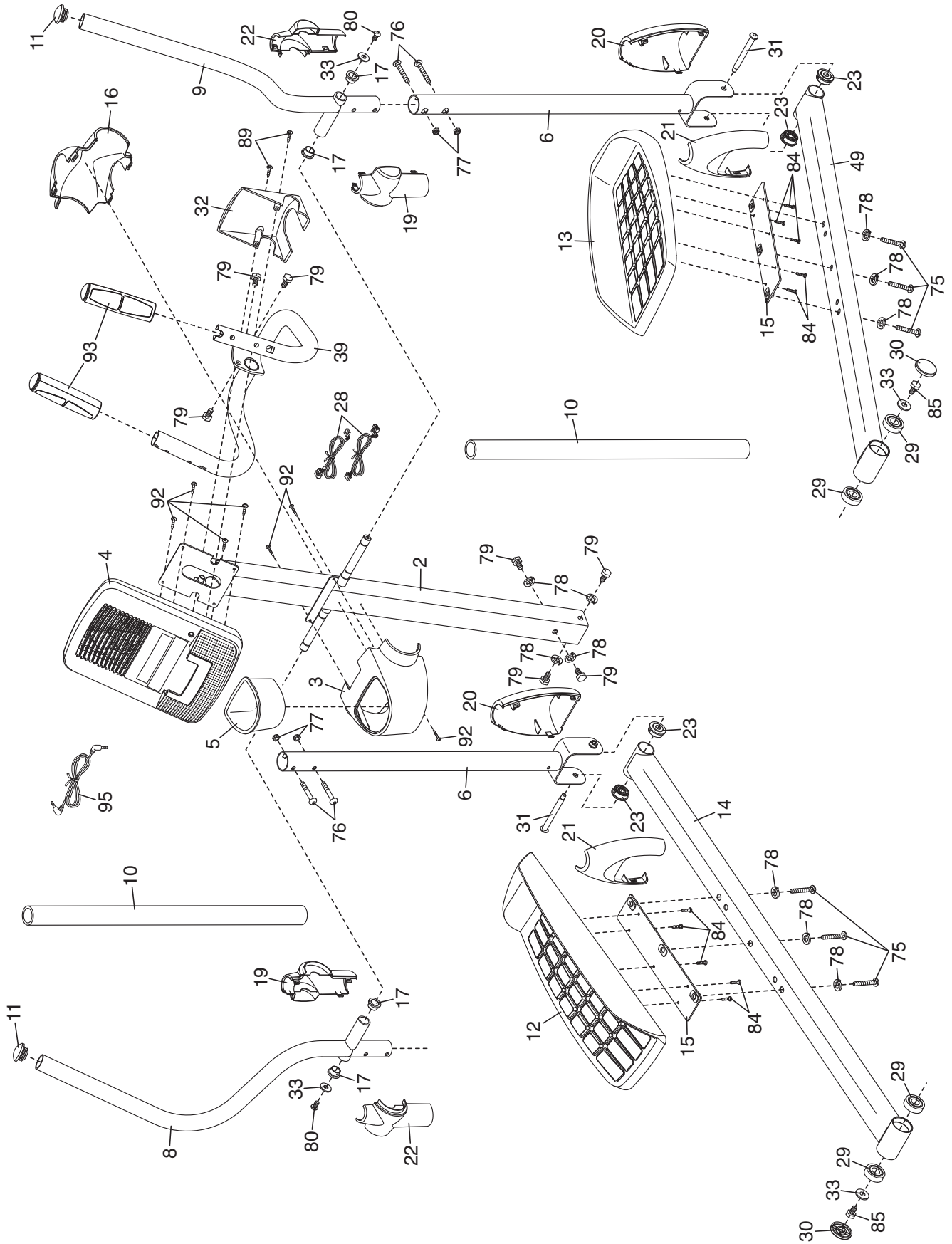


EXPLODED DRAWING A—Model No. 831.23943.0

R0811A



EXPLODED DRAWING B—Model No. 831.23943.0

R0811A

