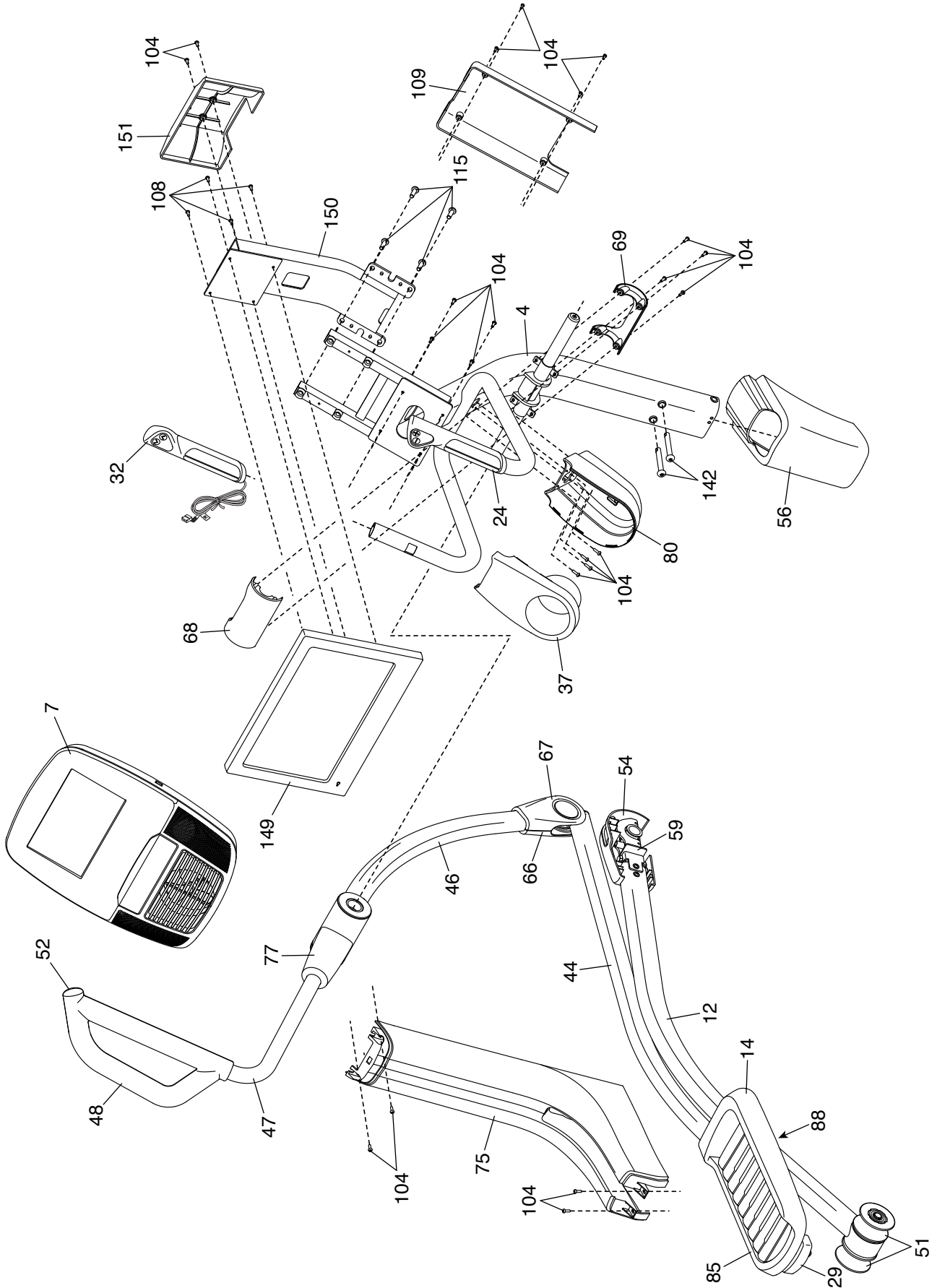


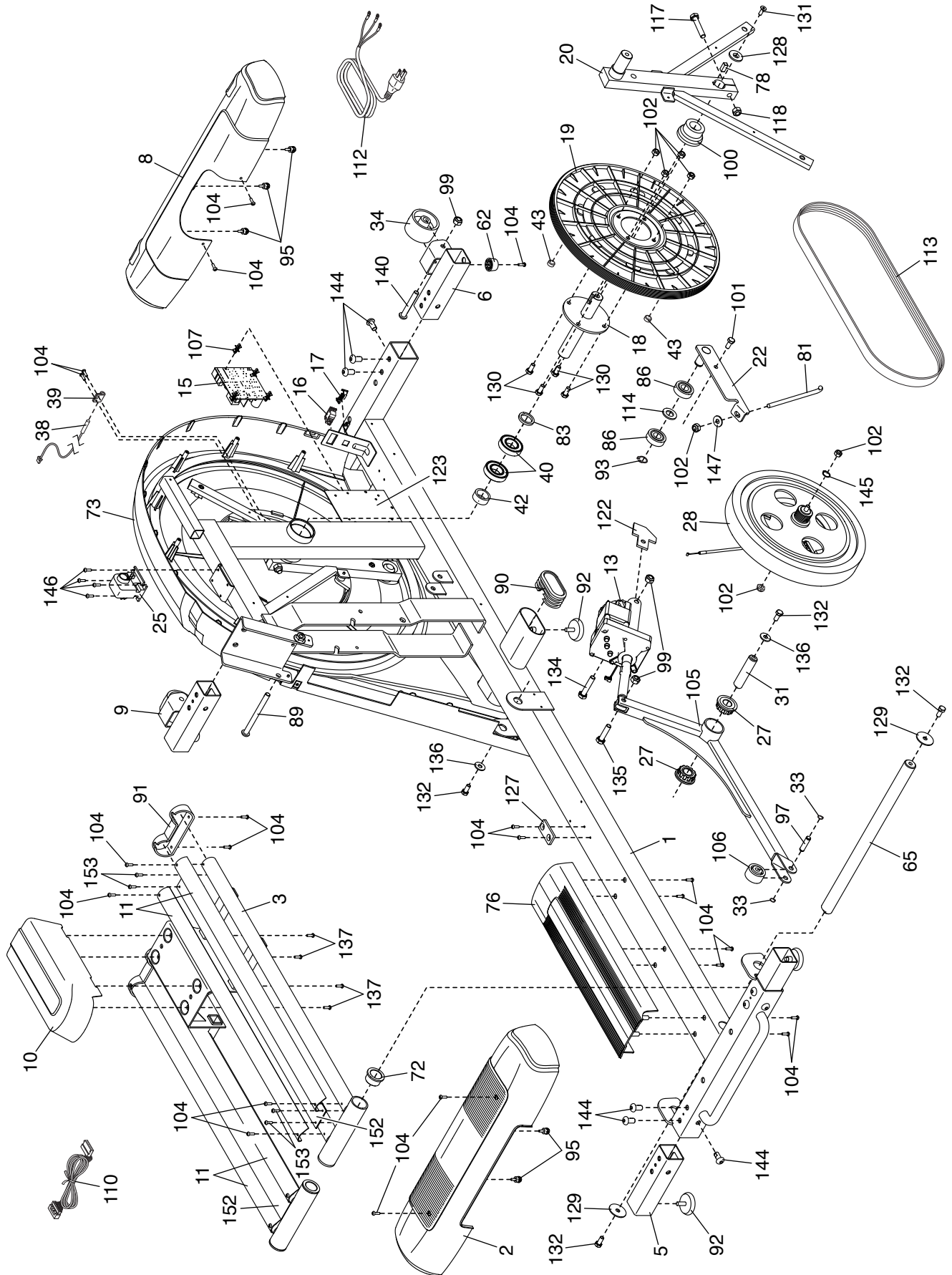
EXPLODED DRAWING A

Model No. 23944.4 R0718A



EXPLODED DRAWING B

Model No. 23944.4 R0718A



EXPLODED DRAWING C

Model No. 23944.4 R0718A

