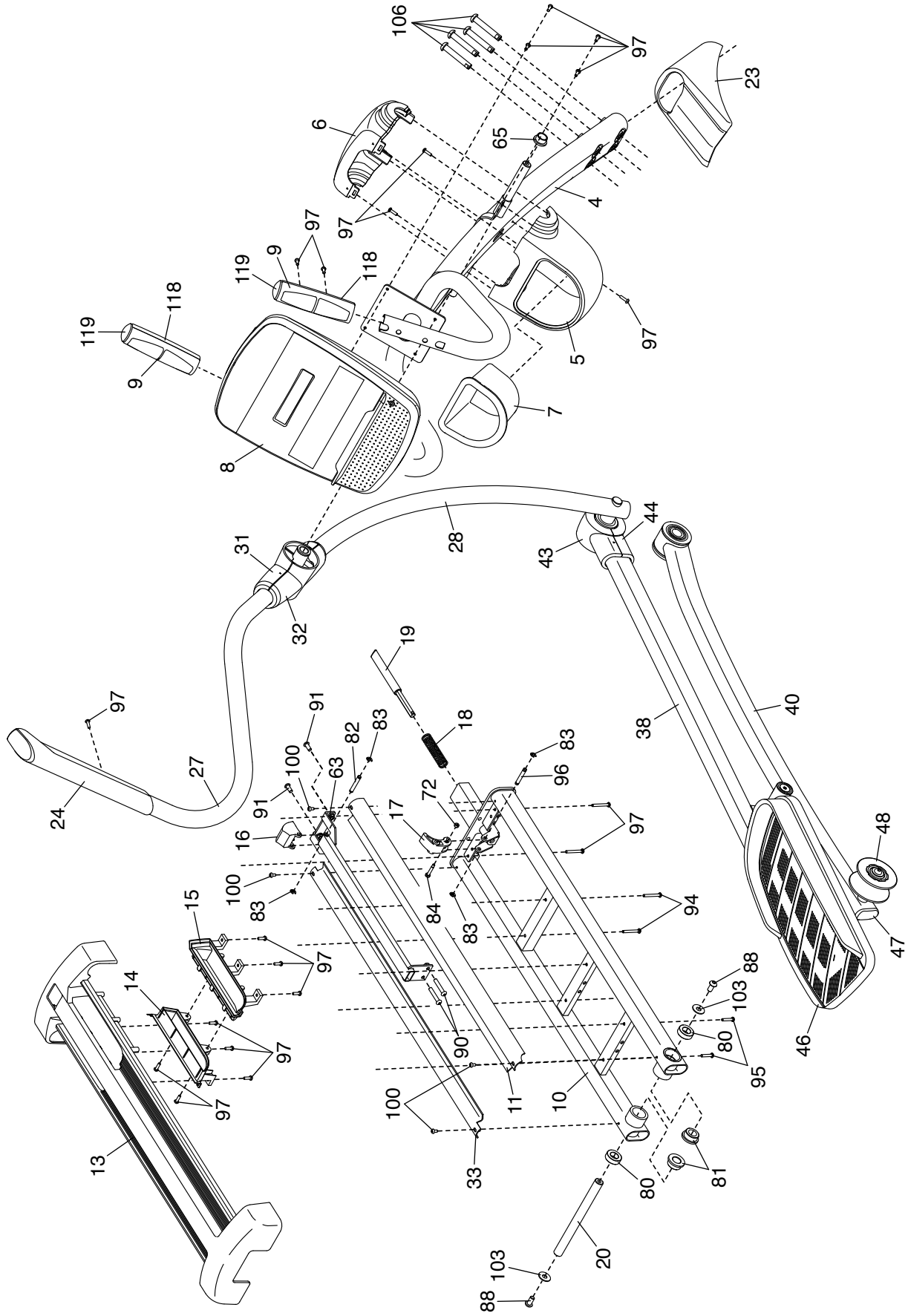


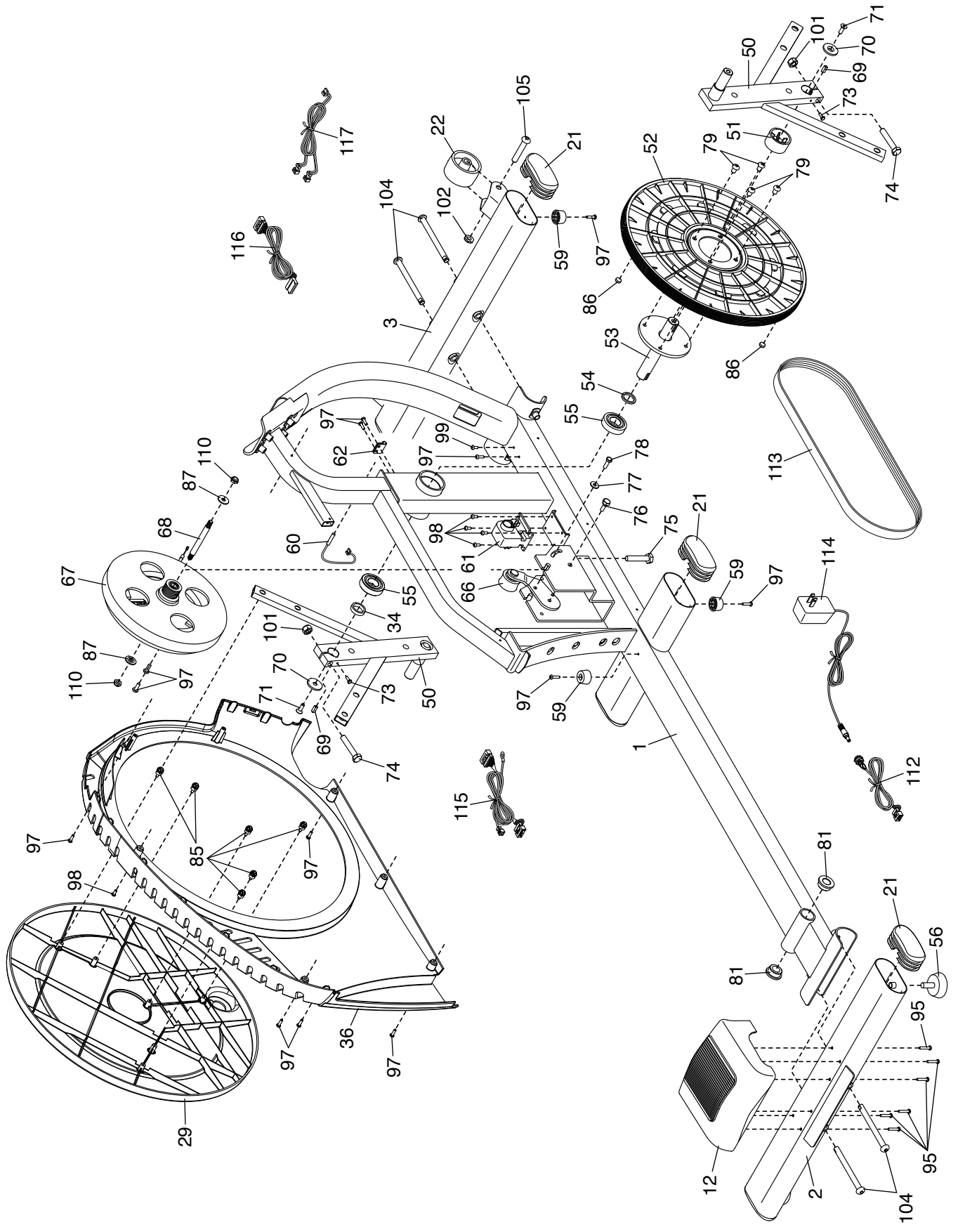
# EXPLODED DRAWING A

Model No. 23946-MX.0 R1113A



# EXPLODED DRAWING B

Model No. 23946-MX.0 R1113A



# EXPLODED DRAWING C

Model No. 23946-MX.0 R1113A

