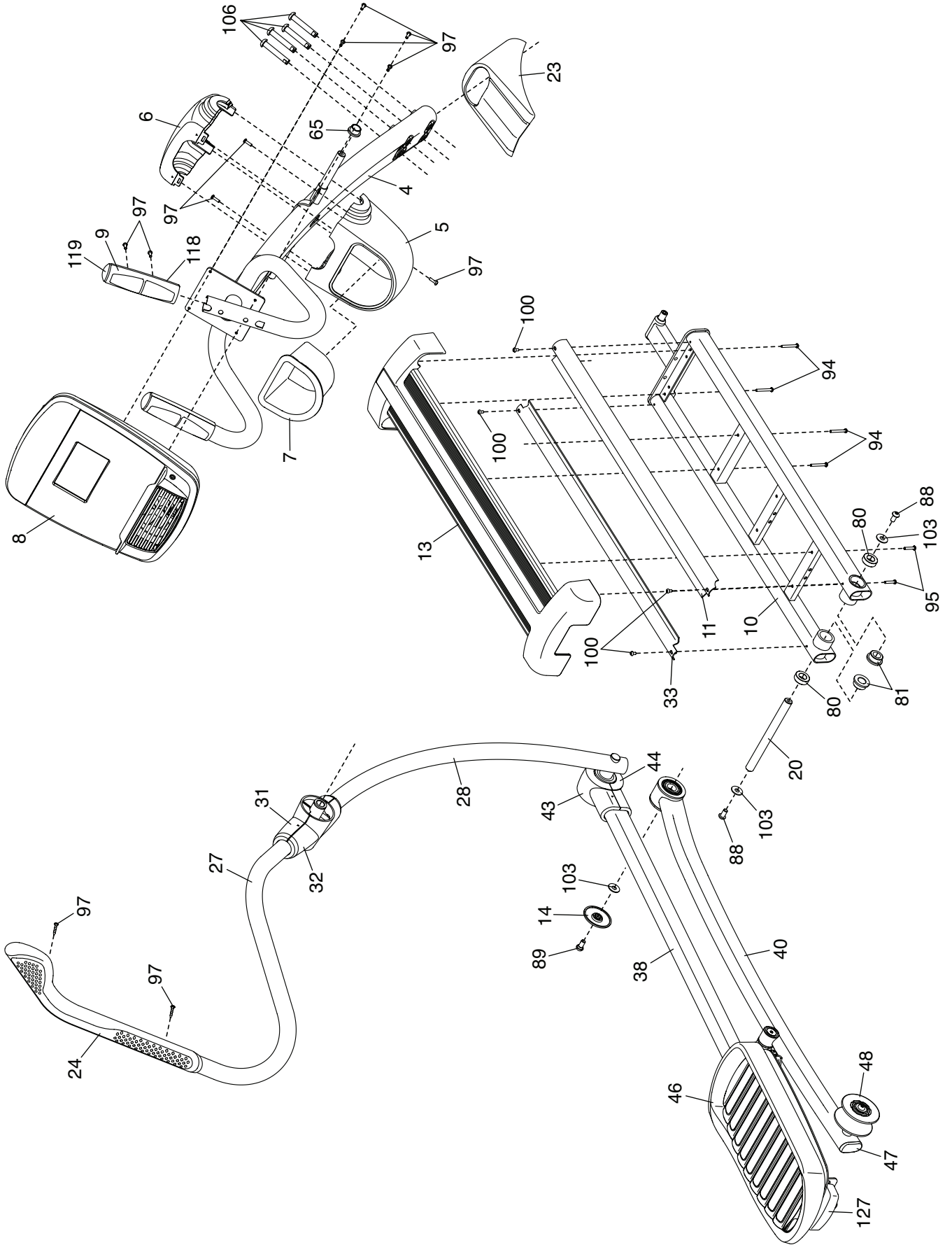


EXPLODED DRAWING A

Model No. 831.23948.3 R0714A



EXPLODED DRAWING C

Model No. 831.23948.3 R0714A

