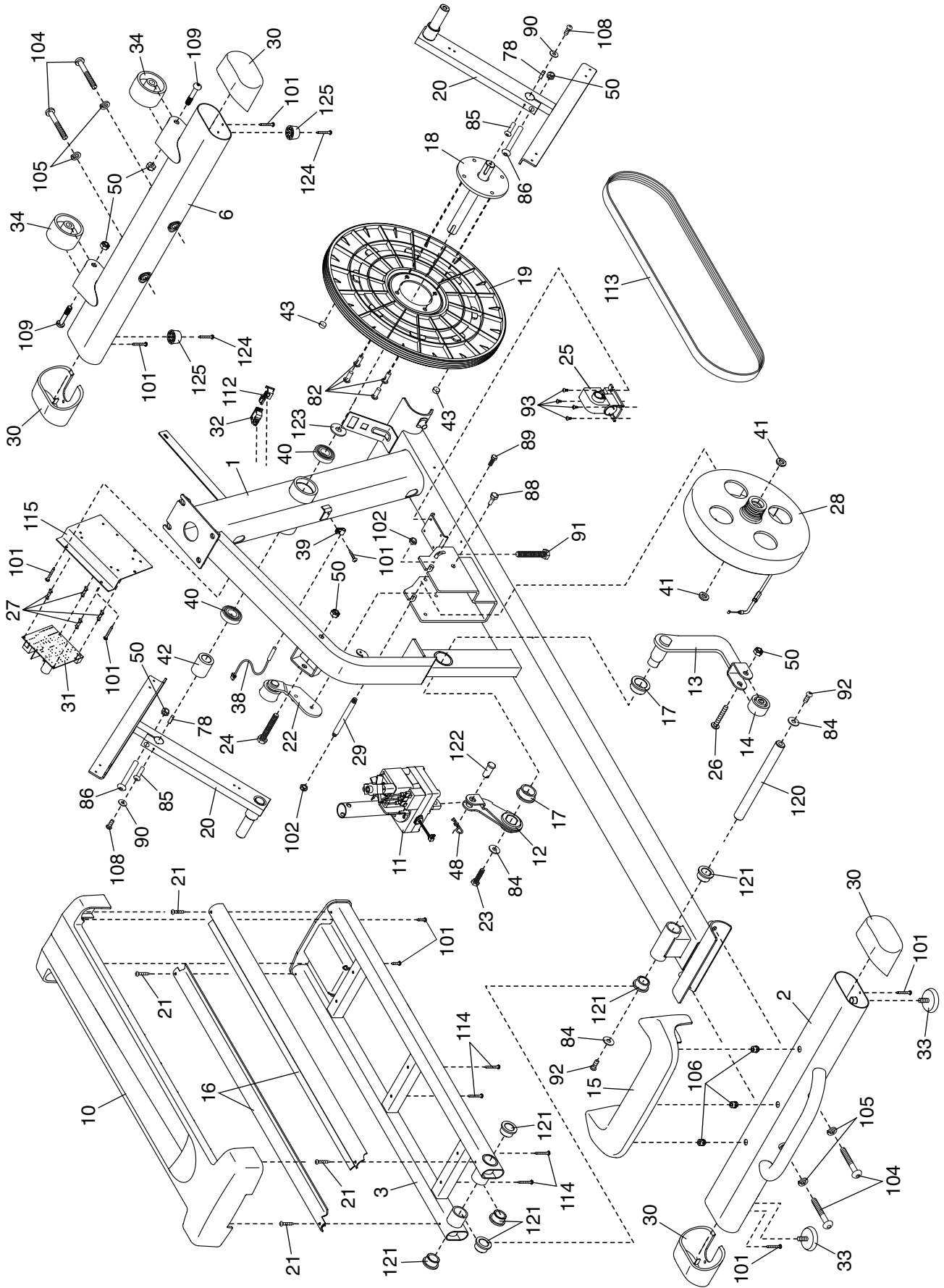


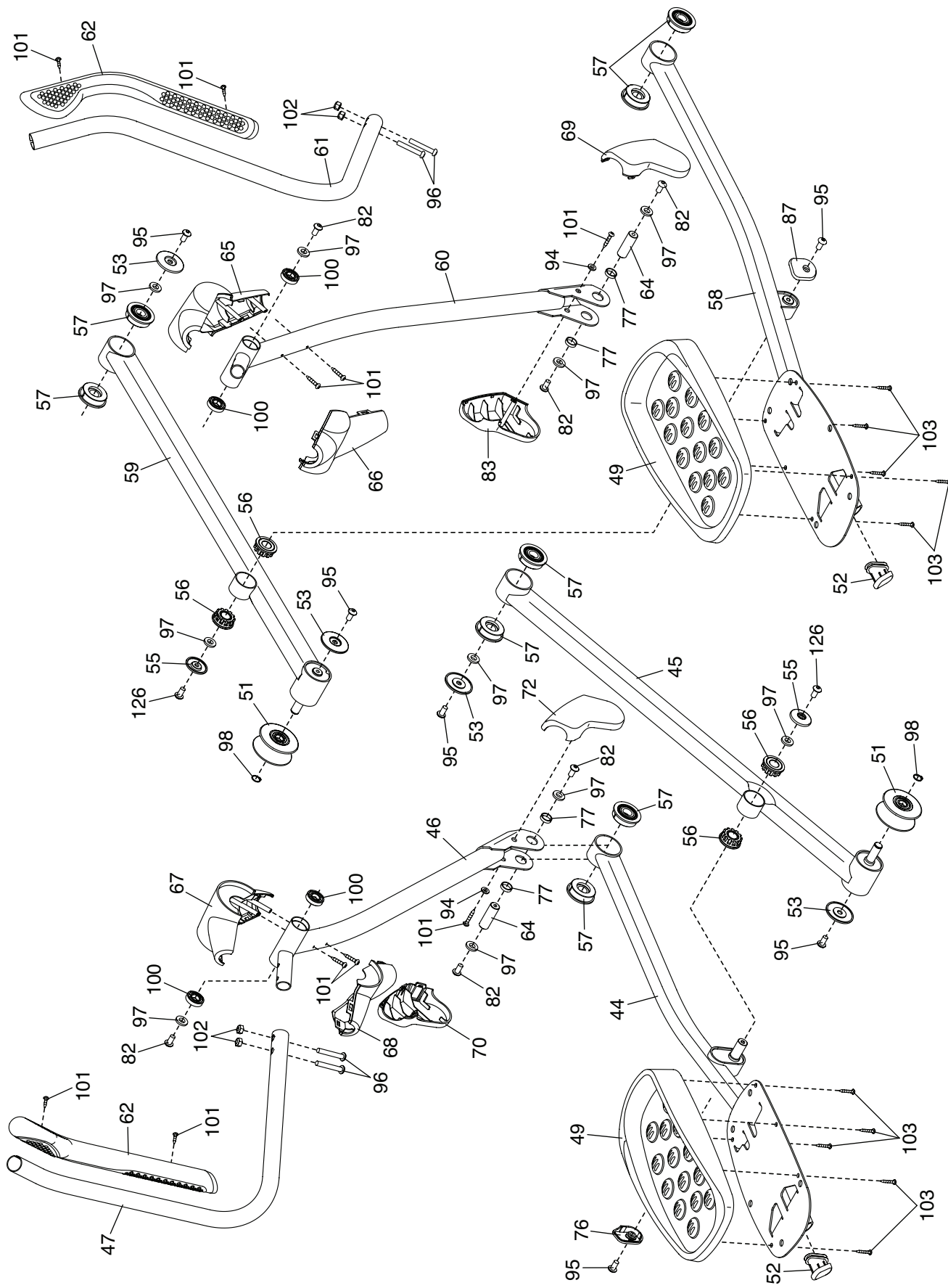
# EXPLODED DRAWING A

Model No. 831.23952.1 R1014A



# EXPLODED DRAWING B

Model No. 831.23952.1 R1014A



# EXPLODED DRAWING C

Model No. 831.23952.1 R1014A

